

## SUMMARY

### # Wires

Low voltage 16



Image is for illustrative purpose only

Series	SP
Termination type	Female solder
IP rating	50
AWG wire size	36.00 - 28.00
Cable Ø	0.00 - 0.00 mm
Status	active
Matching parts	<a href="#">SAN.M16.NLA.6N</a>

### Download

[Request a quote](#)

[Catalog](#)

## TECHNICAL DETAILS

### Mechanics

Shell Style/Model	SK_.SP*: Fixed socket, key (N) or keys (P, S and T), with two nuts (back panel mounting), black front nut
Keying	3 keys (alpha=0, gamma=30, plug: male contacts, receptacle: female contacts)
Housing Material	Proprietary sulfone, black
Variant	N : Black front nut
Weight	5.12 g

### Performance

Configuration	SP.M16 : 16 Low V.
Insulator	L: PEEK (UL 94 / V-0/1.5)
Rated Current	3.0 Amps

### Specifications

Contact Type: Solder  
Contact Dia.: 0.5 mm (0.0196in)  
Bucket Dia.: 0.45 mm (0.0177in)  
Max. Solid Conductor: 0.12 mm<sup>2</sup> (AWG 28)  
Max. Stranded Conductor: 0.12 mm<sup>2</sup> (AWG 28)  
R (max): 8.5 mOhm

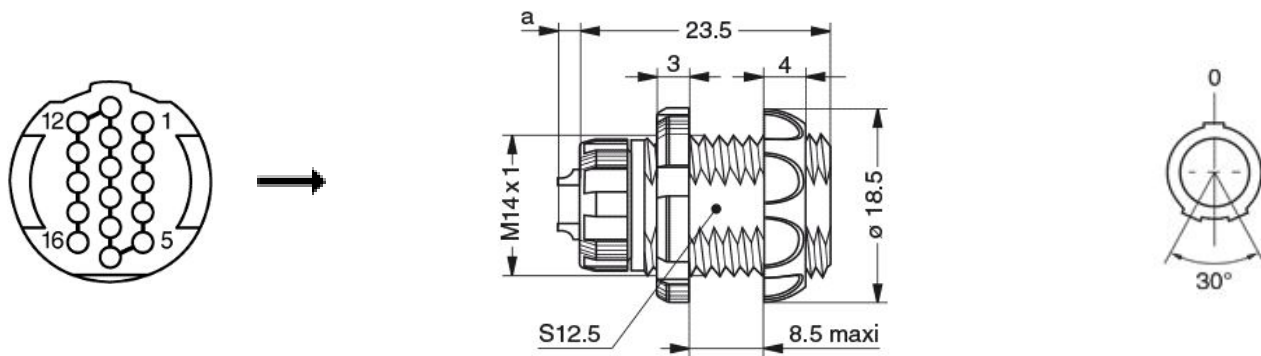
LEMO products and services are provided "as is". LEMO makes no warranties or representations with regard to LEMO product & services or use of them, express, implied or statutory, including for accuracy, completeness, or security. The user is fully responsible for his products and applications using LEMO components.

Test voltage (kV rms) Contact-contact: 0.75  
 Air clearance min.: 0.47 mm  
 Creepage distance min.: 0.47 mm

## Others

Endurance (Shell): >2000 mating cycles  
 Temp (min / max): -50°C / +170°C

## DRAWINGS



## Dimensions

	B	E <sub>max</sub>	N	a	e
mm.	18.5	8.5	23.5	2.2	M14x1
in.	0,73	0,33	0,93	0,09	

## RECOMMENDED BY LEMO

## Tools

*LEMO products and services are provided "as is". LEMO makes no warranties or representations with regard to LEMO product & services or use of them, express, implied or statutory, including for accuracy, completeness, or security. The user is fully responsible for his products and applications using LEMO components.*