

### MODE SELECT

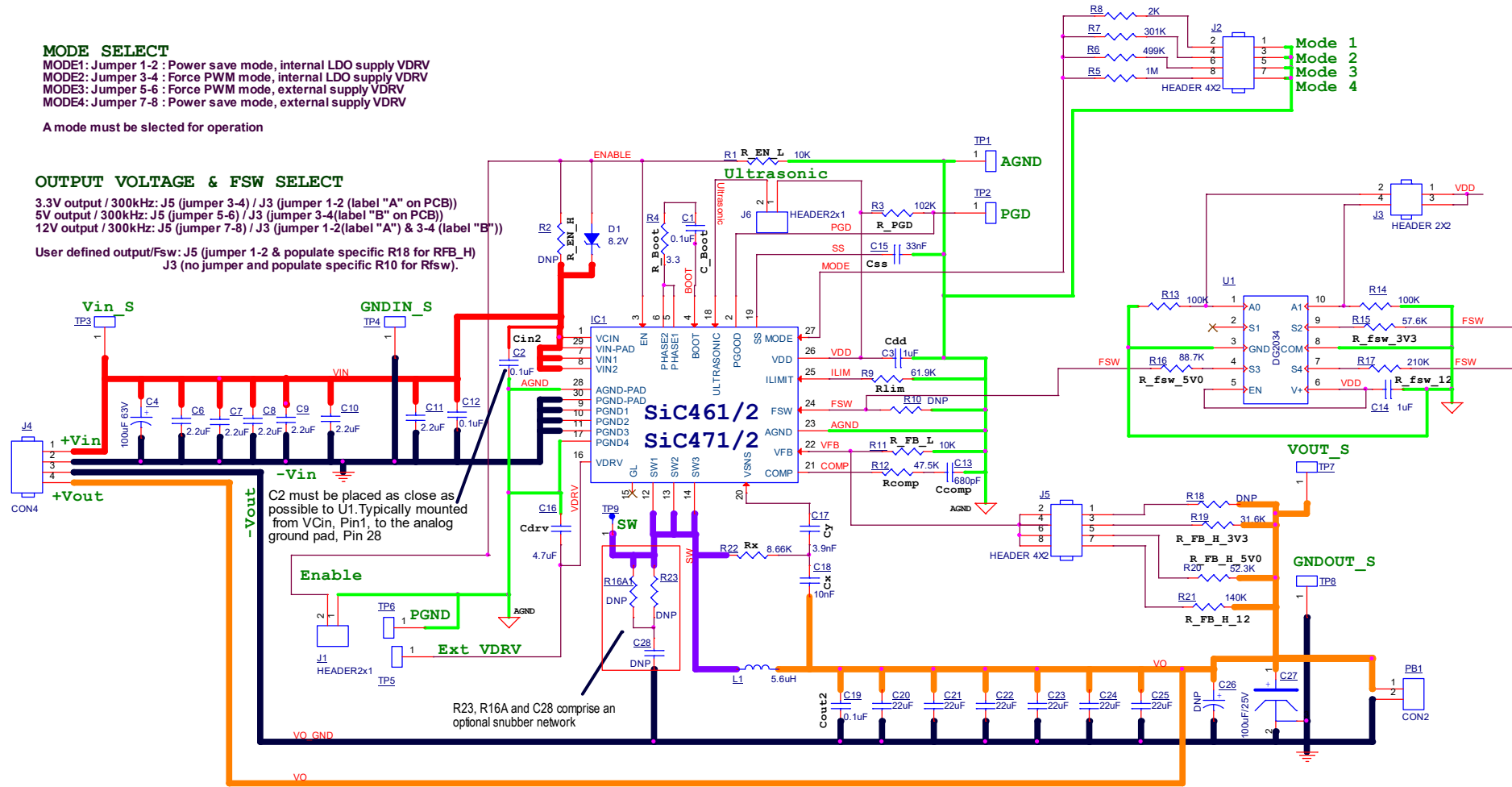
MODE1: Jumper 1-2 : Power save mode, internal LDO supply VDRV  
 MODE2: Jumper 3-4 : Force PWM mode, internal LDO supply VDRV  
 MODE3: Jumper 5-6 : Force PWM mode, external supply VDRV  
 MODE4: Jumper 7-8 : Power save mode, external supply VDRV

A mode must be selected for operation

### OUTPUT VOLTAGE & FSW SELECT

3.3V output / 300kHz: J5 (jumper 3-4) / J3 (jumper 1-2 (label "A" on PCB))  
 5V output / 300kHz: J5 (jumper 5-6) / J3 (jumper 3-4 (label "B" on PCB))  
 12V output / 300kHz: J5 (jumper 7-8) / J3 (jumper 1-2 (label "A") & 3-4 (label "B"))

User defined output/Fsw: J5 (jumper 1-2 & populate specific R18 for RFB\_H)  
 J3 (no jumper and populate specific R10 for Rfsw).



Title		
SiC462/1 SiC472/1 Demo Board 10 to 50Vin 300kHz 12V, 5V, 3V3		
Size	Document Number	Rev
Custom<Doc>		D
Date:	Tuesday, April 14, 2020	Sheet 1 of 1