

NOTES:

1. FOR USE WITH .062 THICK BOARD.

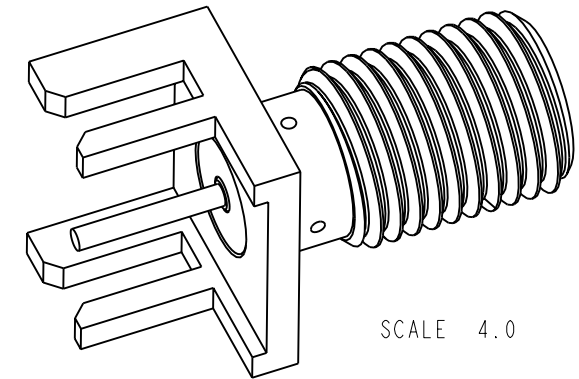
2. MATERIALS AND FINISHES:

BODY - BRASS, NICKEL PLATE (.000100 MIN)

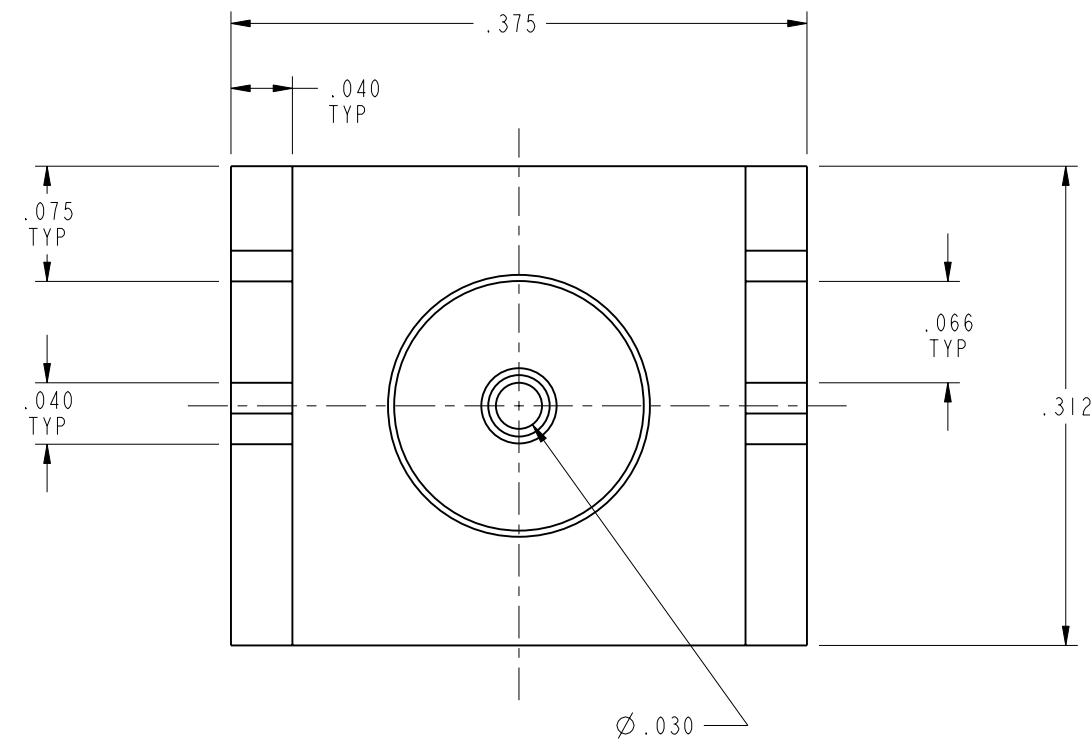
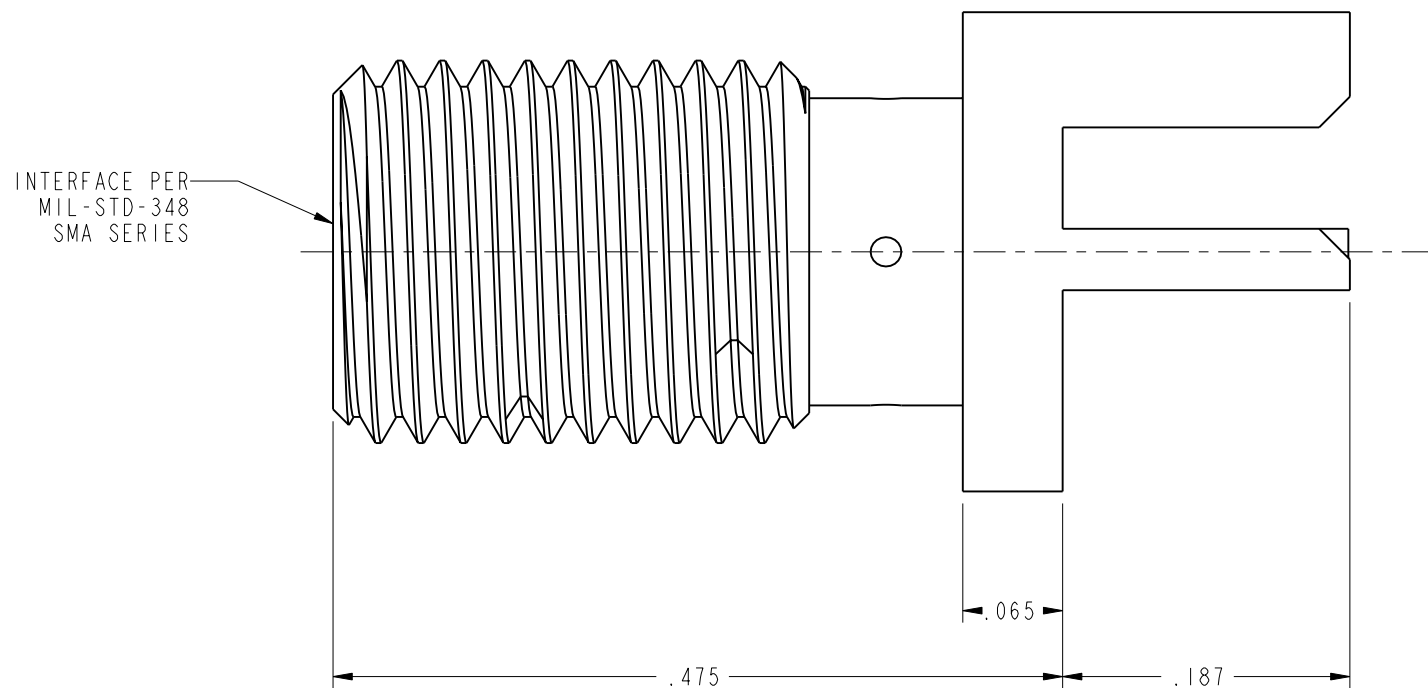
CONTACT - BERYLLIUM COPPER, GOLD PLATE (.000050 MIN) OVER NICKEL (.000080 MIN)

INSULATOR - TFE FLOUROCARBON

901-9850		REVISIONS			
DRAWING NO.	REV	DESCRIPTION	DATE	ECO	APPR
THIRD ANGLE PROJ.	A	OFFICIAL ENG. RELEASE TO MFG.	1/2/97	41664	DL/
	B	SEE SHEET 1	9/19/01	43857	CPM
	C	SEE SHEET 1	10/3/01	43867	CPM



SCALE 4.0



CUSTOMER OUTLINE DRAWING
ALL OTHER SHEETS ARE FOR INTERNAL USE ONLY

UNLESS OTHERWISE SPECIFIED, DIMENSIONS ARE IN INCHES AND TOLERANCES ARE: 2 PLACE DECIMAL ±.015 (0,381 mm) 3 PLACE DECIMAL ±.005 (0,127 mm) ANGLES ± 1°	MATERIAL	DRAWN D. LUI	DATE 12-Nov-96	TITLE SMA RECEPTACLE PC MOUNT ENDLAUNCH		Amphenol Amphenol Corporation Communication and Network Products Division Danbury, CT U.S.A. 06810	
	REFERENCE	ENGINEER B. GLEISSNER	DATE 12-Nov-96				
NOTICE - These drawings, specifications, or other data (1) are, and remain the property of Amphenol Corp. (2) must be returned upon request; and (3) are confidential and not to be disclosed to any person other than those to whom they are given by Amphenol Corp. The furnishing of these drawings, specifications, or other data by Amphenol Corp., or to any other person to anyone for any purpose is not to be regarded by implication or otherwise in any manner licensing, granting rights or permitting such holder or any other person to manufacture, use or sell any product, process or design, patented or otherwise, that may in any way be related to or disclosed by said drawings, specifications, or other data.	EAR 963553 3 615X-1143-200 GEN # ASSYF6_SMA	APPROVED B. GLEISSNER	DATE 12-Nov-96	CODE ID 74868	DWG SIZE B	DRAWING NO. 901-9850	REV C
						SCALE: 8.0:1 SHEET 2 OF 2	