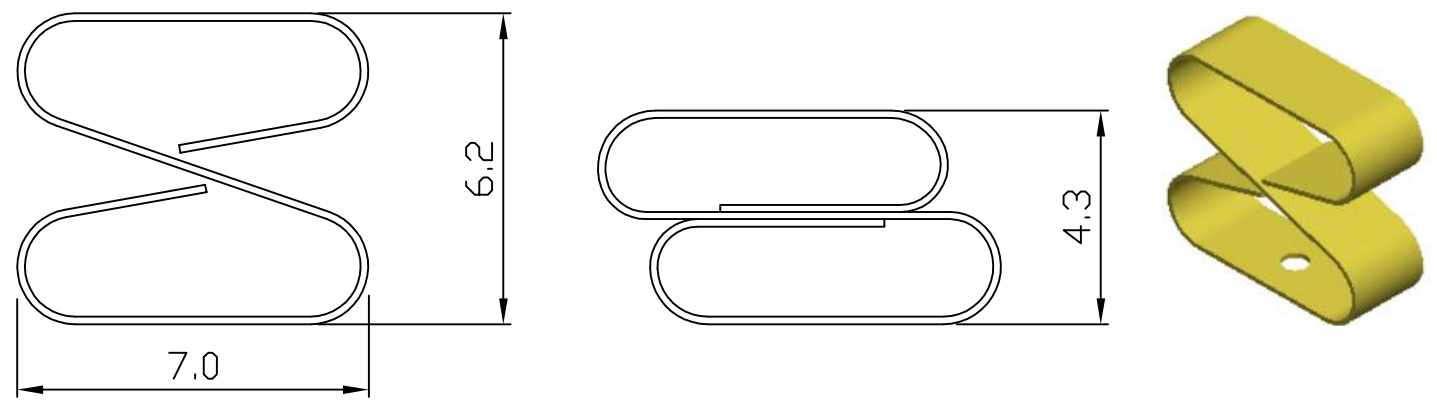


8	7	6	5	4	3	2	1
<b>PART NUMBER</b>	<b>THICKNESS</b>	<b>MATERIAL</b>	<b>PLATING TYPE</b>	<b>PACKAGING</b>			
67B8G2507006215R00	0.15mm	BeCu C17200	Au 1u" Over Ni 50~120u"	<b>TAPE AND REEL</b>			
				<b>REEL DIAMETER</b>	<b>TAPE WIDTH (W)</b>	<b>PITCH (P)</b>	<b>QUANTITY / REEL</b>
				330.2mm (13 inch)	16mm	8mm	1200pcs

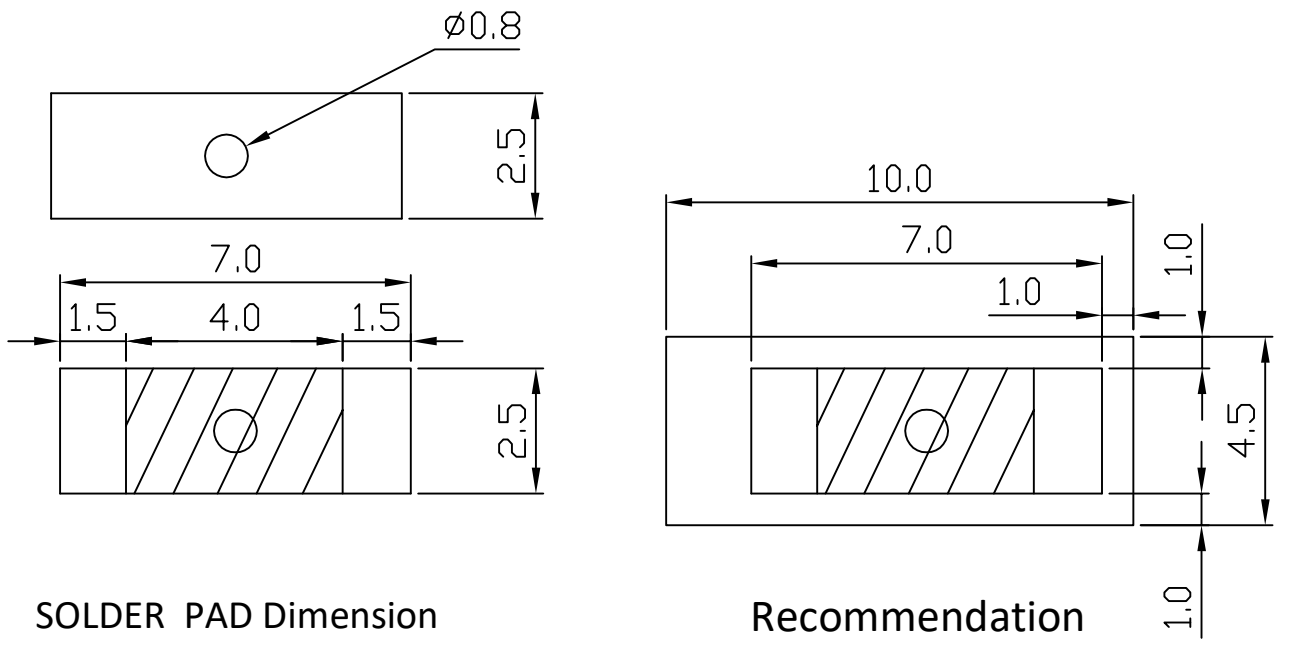
D

D



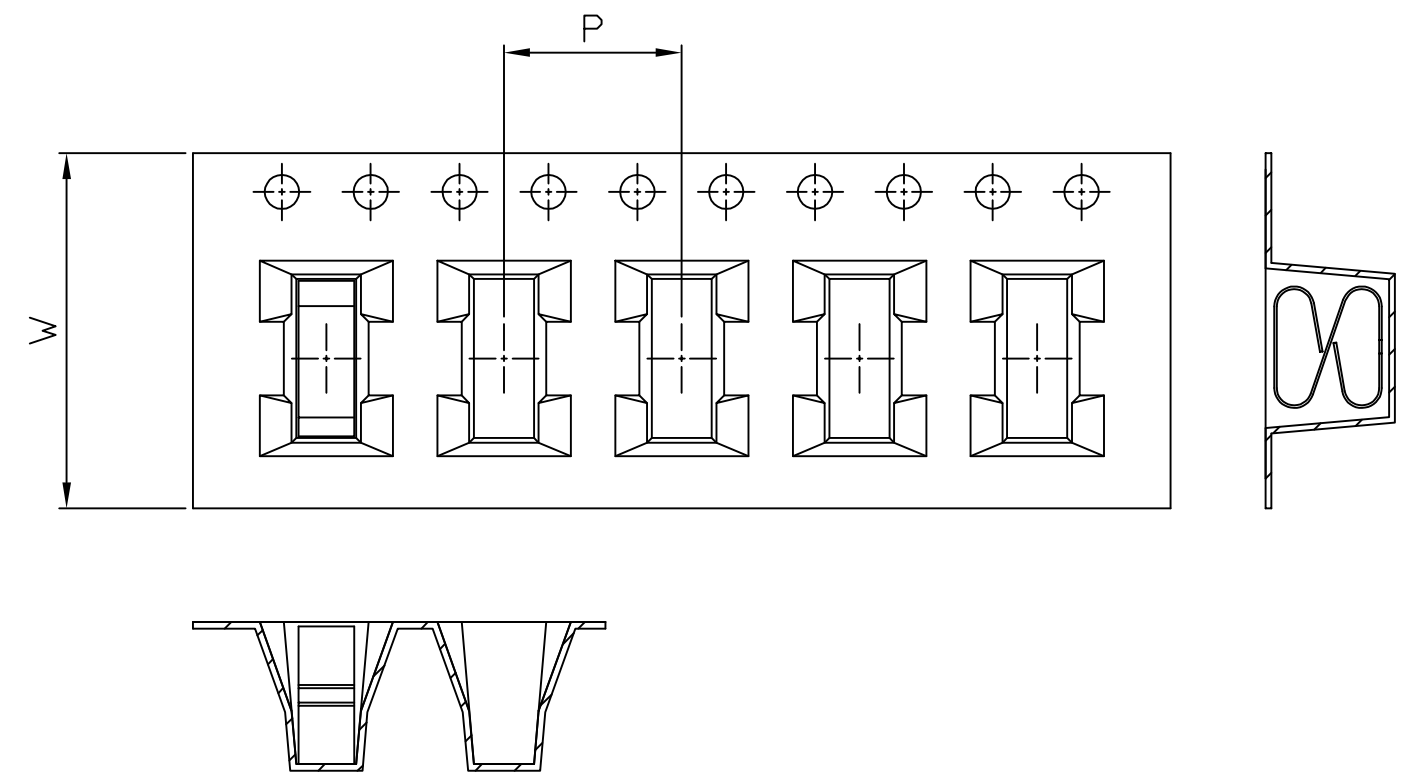
C

C



SOLDER PAD Dimension

Recommendation



B

B

A

A

PART NUMBER CONFIGURATION:

**67 B X X XXX XX XXX XX R XX**

67 FOR GENERAL ELECTRONICS  
68 FOR AUTOMOTIVE ELECTRONICS

MATERIAL: BECU

SHAPE TYPE

PLATING TYPE

PART WIDTH

VERSION CODE

PACKAGING: TAPE&REEL

PART THICKNESS

PART HEIGHT

PART LENGTH

UNITS: MM [INCH]	<b>Laird</b>	LAIRD DRAWING NUMBER: <b>B8G-25X70X062-SALES</b>	
TOLERANCES: XX = ±0.4 X.XX = ±0.2 X.XXX = ±0.1		3RD ANGLE PROJECTION	THIS IS AN UNCONTROLLED SALES DRAWING. THE DIMENSIONAL CHARACTERISTICS AND TOLERANCES OF THIS PART SHOWN ON THIS DRAWING AS A REFERENCE TO THE DIMENSIONAL SPECIFICATIONS OF THE LAIRD STANDARD PRODUCTION DRAWING FOR THIS PART. ANY SUBSEQUENT CHANGES TO THE STANDARD PART SPECIFICATION WILL SUPERSEDE THIS SALES DRAWING.
ANGULAR: X° = ±3° X.X° = ±1.0°	DESIGNED IN SOLIDWORKS	SCALE: 5:1	SHEET 1 OF 1
	SIZE B		