



## Product / Process Change Notification (PCN)

- Major change  
 Minor change

<p><b>PCN #:</b> PCN_ConDSUB_20230124</p> <p><b>Affected Series:</b> WR-DSUB - 6180xx214622 ; 6180xx221823          6180xx221923 ; 6180xx24823 ; 6180xx24923          6180xx25322 ; 618009231221 ; 618025231421;          618015330923</p> <p><b>PCN Date:</b> October 24, 2022</p> <p><b>Effective Date:</b> January 24, 2023</p>	<p><b>Change Category:</b></p> <p><input checked="" type="checkbox"/> Equipment / Location  <input type="checkbox"/> General Data  <input type="checkbox"/> Material  <input type="checkbox"/> Process  <input checked="" type="checkbox"/> Product Design  <input checked="" type="checkbox"/> Shipping / Packaging  <input type="checkbox"/> Supplier  <input type="checkbox"/> Software</p>
<p><b>Contact:</b> Product Management</p> <p><b>Phone:</b> +49 (0) 7942 - 945 5001</p> <p><b>Fax:</b> +49 (0) 7942 - 945 5179</p> <p><b>E-Mail:</b> pcn.eican@we-online.com</p>	<p><b>Data Sheet Change:</b></p> <p><input checked="" type="checkbox"/> Yes      <input type="checkbox"/> No</p> <p><b>Attachment:</b></p> <p><input type="checkbox"/> Yes      <input checked="" type="checkbox"/> No</p>
<p><b>Description and purpose of change:</b></p> <p>To increase the production capability, Würth Elektronik will change the production site of the above-mentioned products. This implies changes in design, tolerances, packaging dimensions and quantity. All products with Lot Nr. starting with 463 will be affected by this change.</p> <p>There will be no change in function, or reliability of the product.</p>	

**Detail of Change:**

**1. Production Line Change**

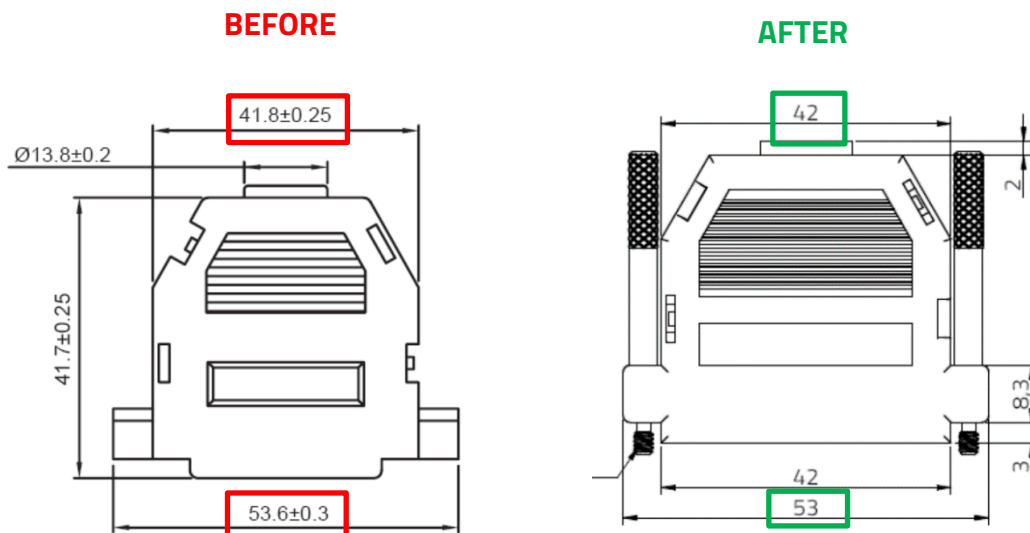
The production lines can be identified by the first three digits of the lot number: **XXX XXXXXXXXXXXX**

<b>Old production line:</b>	<b>New production line:</b>
Lot number: <b>298</b> XXX XXX XXX XXX	Lot number: <b>463</b> XXX XXX XXX XXX
Country of origin on Delivery Note: Taiwan	Country of origin on Delivery Note: Taiwan

**2. 6180xx214622**

**Design Change:**

618025214622 only:



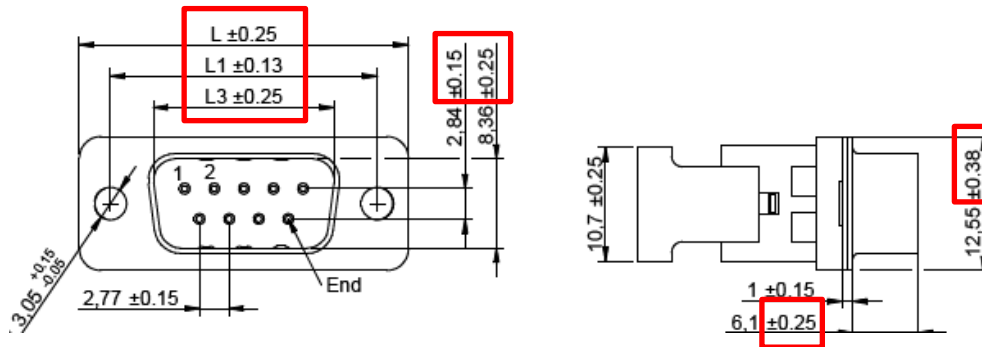
**Packaging specifications:**

Part number	BEFORE		AFTER	
	Qty per bag (SPQ)	Qty per carton	Qty per bag (SPQ)	Qty per carton
618009214622	50	500	50	1000
618015214622	50	400	50	900
618025214622	50	400	50	700

### 3. 6180xx221823

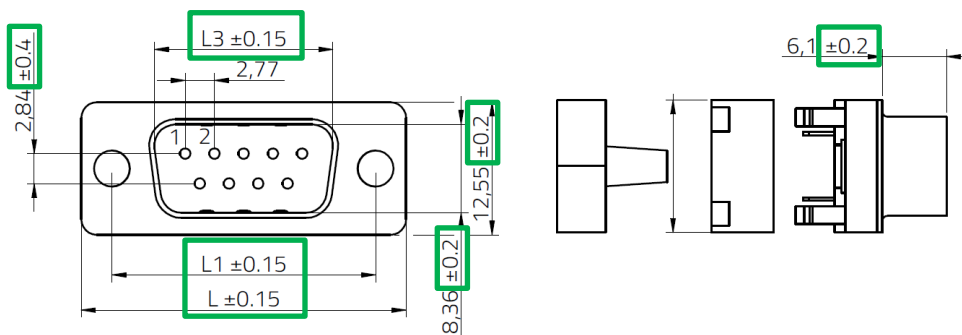
#### Design Change:

#### BEFORE



Part number	L (mm) ± 0.25	L1 (mm) ± 0.13	L3 (mm) ± 0.25
618009221823	30.80	24.99	16.92
618015221823	39.10	33.32	25.25
618025221823	53.09	47.04	38.96
618037221823	69.40	63.50	55.45

#### AFTER

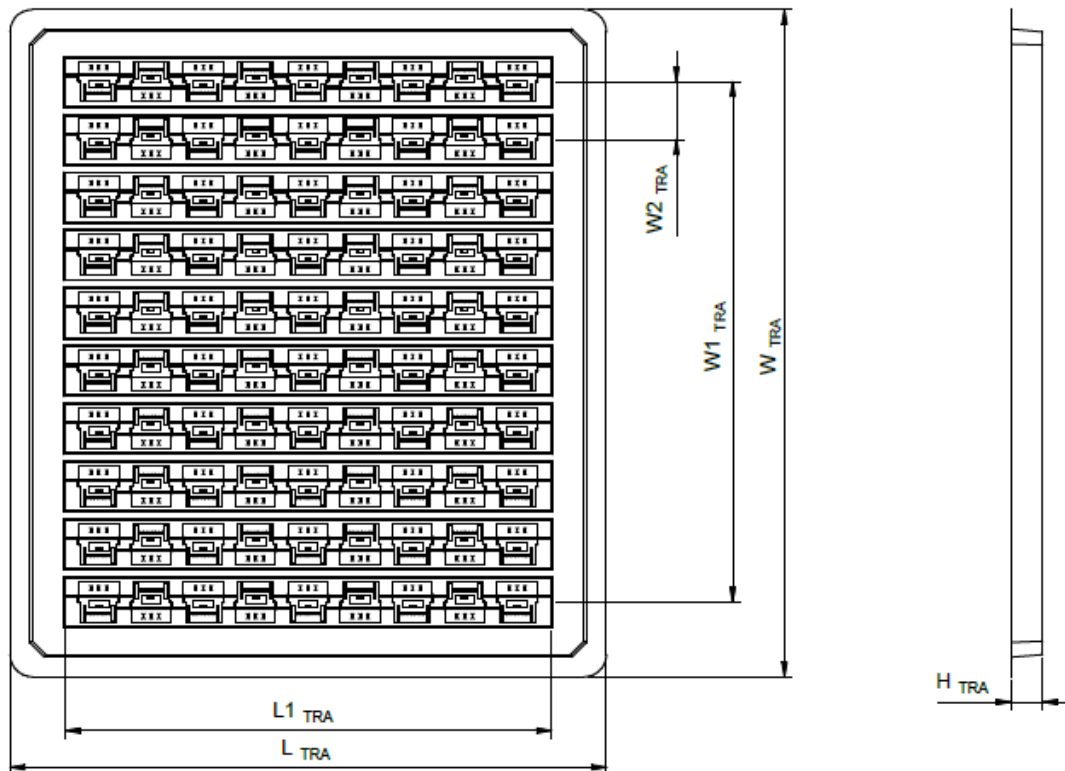


Part number	L (mm) ± 0.15	L1 (mm) ± 0.15	L3 (mm) ± 0.15
618009221823	30.80	25.00	16.92
618015221823	39.20	33.30	25.25
618025221823	53.10	47.10	38.96
618037221823	69.40	63.50	55.42

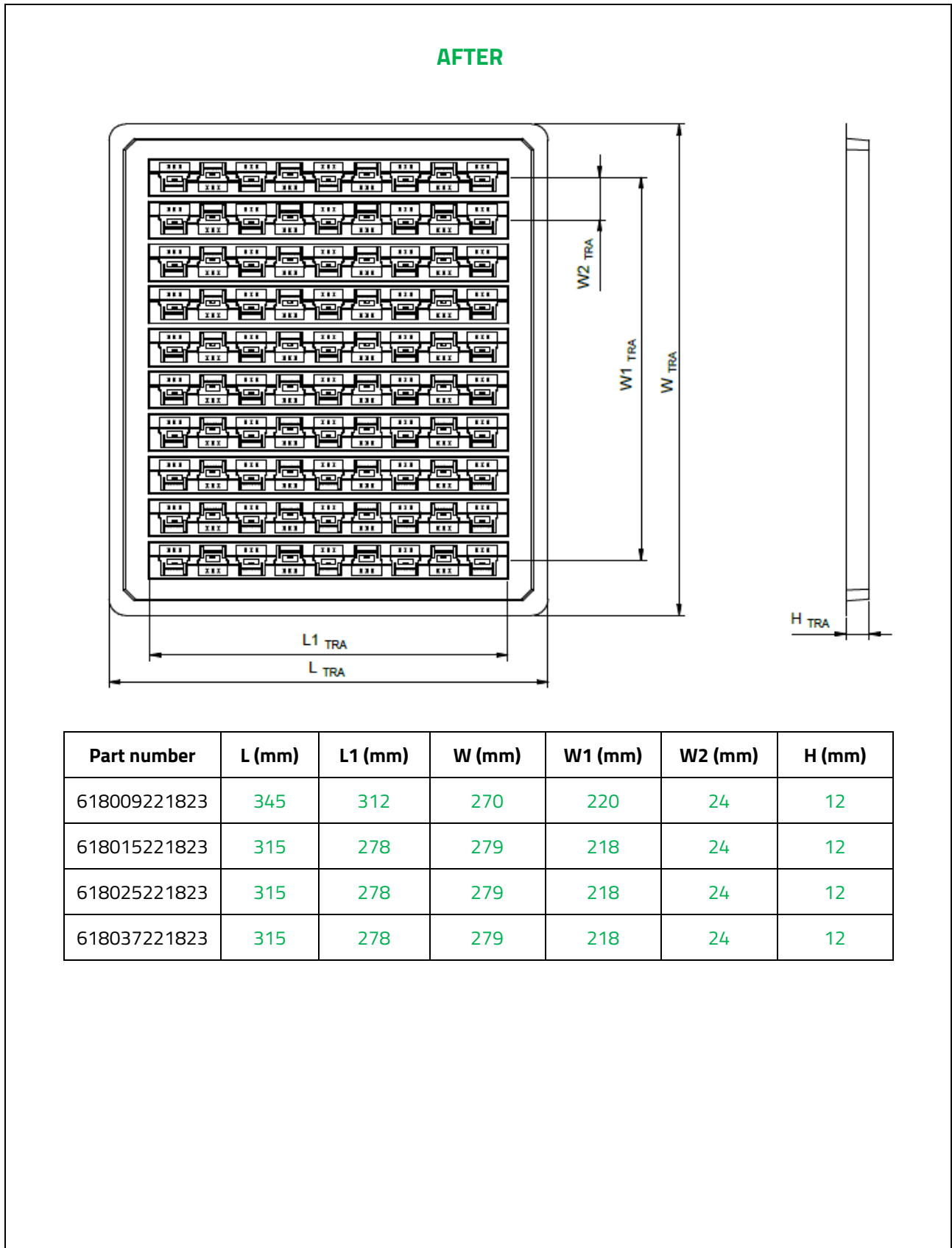
**Packaging specifications :**

Part number	BEFORE		AFTER	
	Qty per tray (SPQ)	Qty per carton	Qty per tray (SPQ)	Qty per carton
618009221823	90	1350	100	1000
618015221823	70	1050	70	1050
618025221823	40	600	50	1000
618037221823	30	450	40	520

**BEFORE**



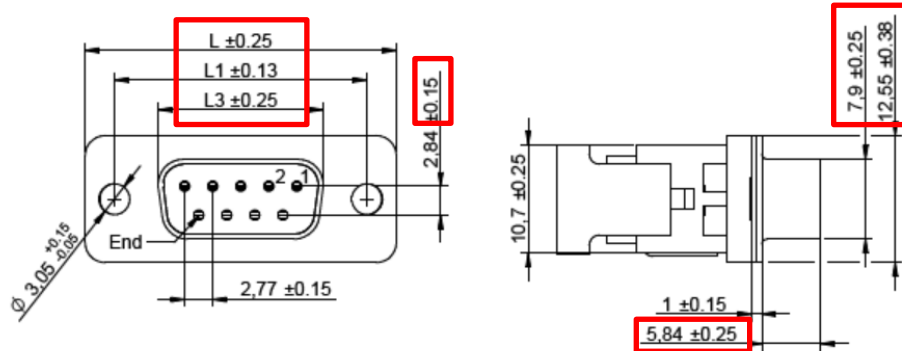
Part number	L (mm)	L1 (mm)	W (mm)	W1 (mm)	W2 (mm)	H (mm)
618009221823	268	220	300	236	26	14
618015221823	268	230	300	236	26	14
618025221823	268	196	300	236	26	14
618037221823	268	196	300	236	26	14



#### 4. 6180xx221923

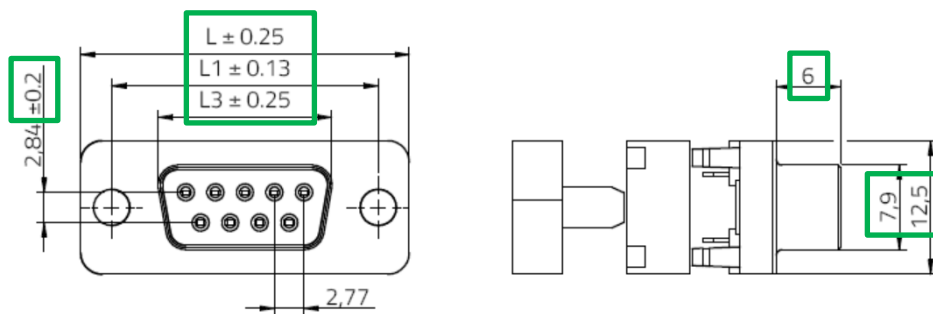
##### Design Change:

##### BEFORE



Part number	L (mm) ± 0.25	L1 (mm) ± 0.13	L3 (mm) ± 0.25
618009221923	30.80	24.99	16.30
618015221923	39.10	33.32	24.60
618025221923	53.09	47.04	38.30
618037221923	69.40	63.50	54.80

##### AFTER

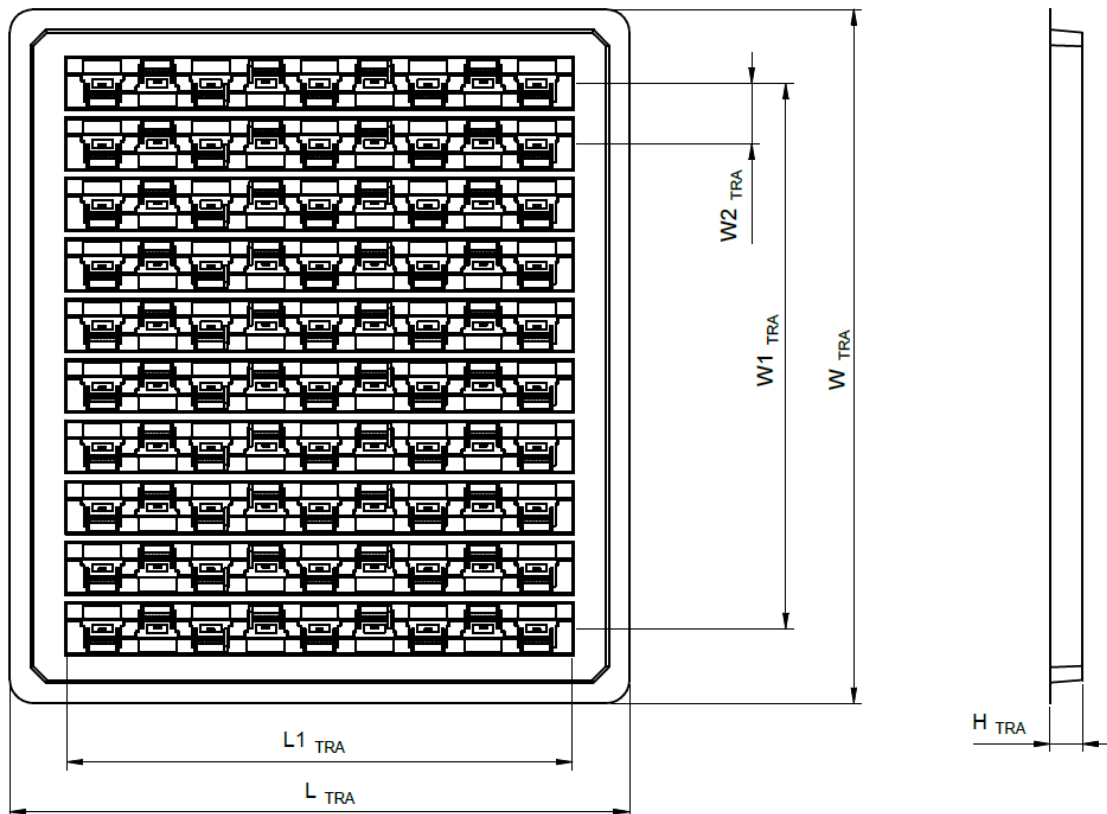


Part number	L (mm) ± 0.25	L1 (mm) ± 0.13	L3 (mm) ± 0.25
618009221923	30.80	25.00	16.33
618015221923	39.20	33.30	24.66
618025221923	53.10	47.10	38.38
618037221923	69.40	63.50	54.84

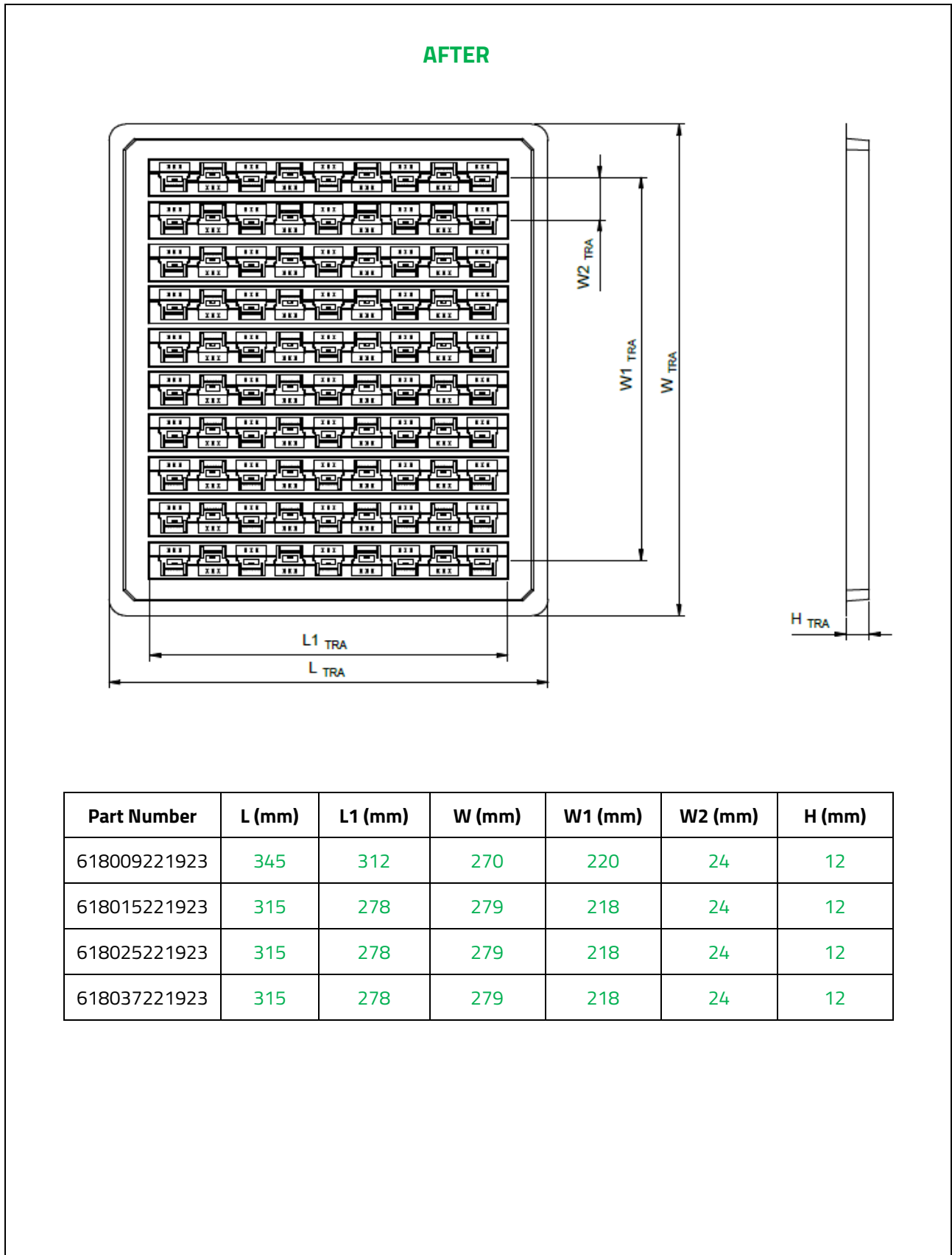
**Packaging specifications :**

Part number	BEFORE		AFTER	
	Qty per tray (SPQ)	Qty per carton	Qty per tray (SPQ)	Qty per carton
618009221923	90	1350	100	1000
618015221923	70	1050	70	1050
618025221923	40	600	50	1000
618037221923	30	450	40	520

**BEFORE**



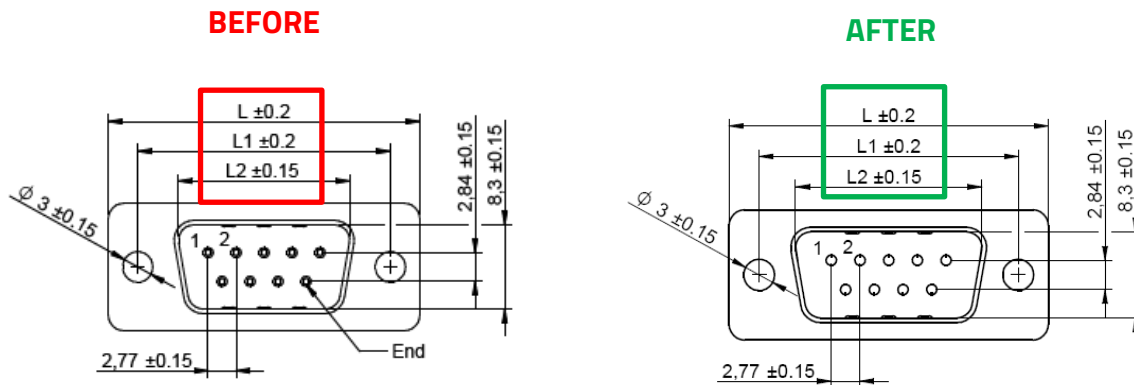
Part number	L (mm)	L1 (mm)	W (mm)	W1 (mm)	W2 (mm)	H (mm)
618009221923	268	220	300	236	26.2	14
618015221923	268	230	300	236	26.2	14
618025221923	268	196	300	236	26.2	14
618037221923	268	196	300	236	26	14





### 5. 6180xx24823

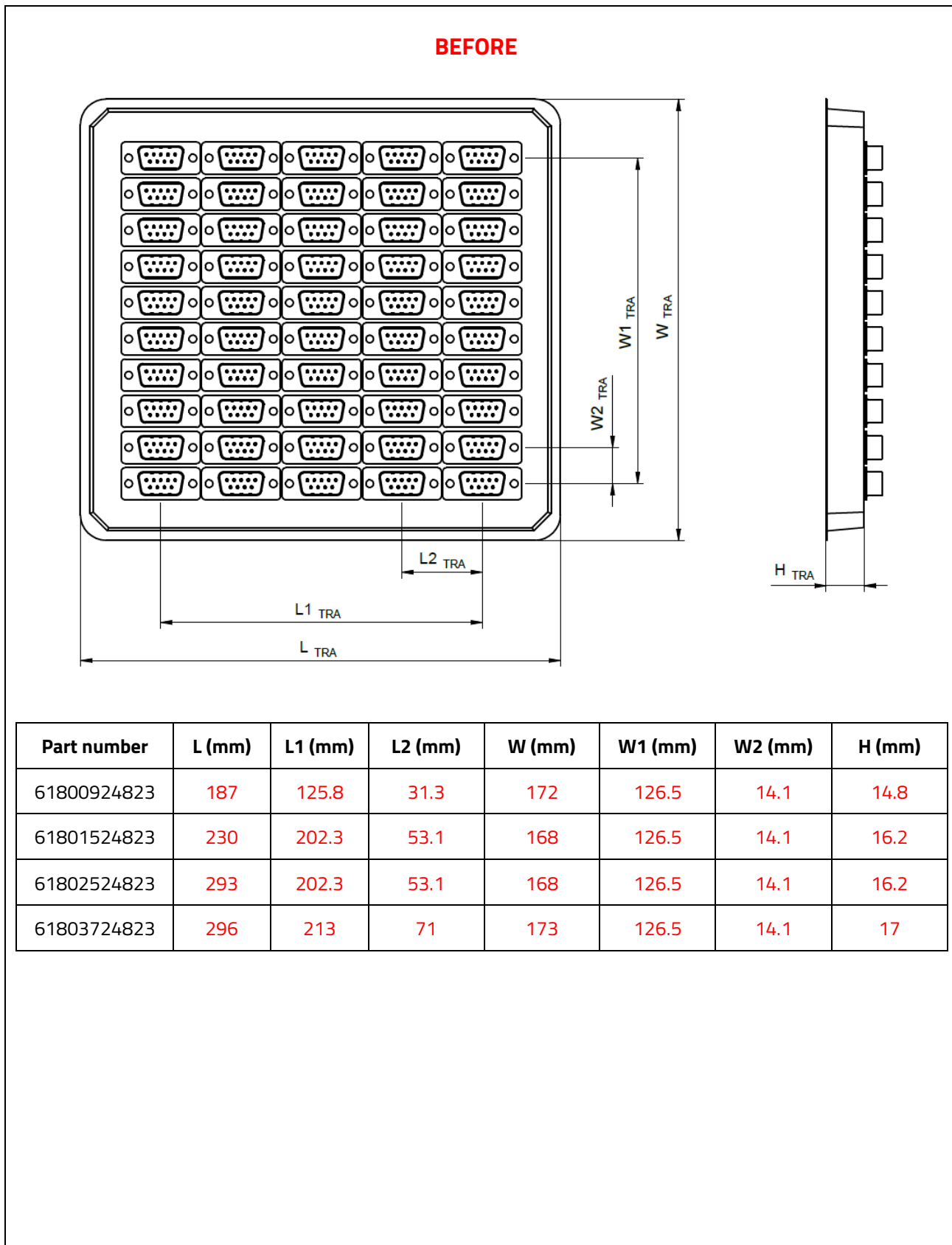
#### Design Change:

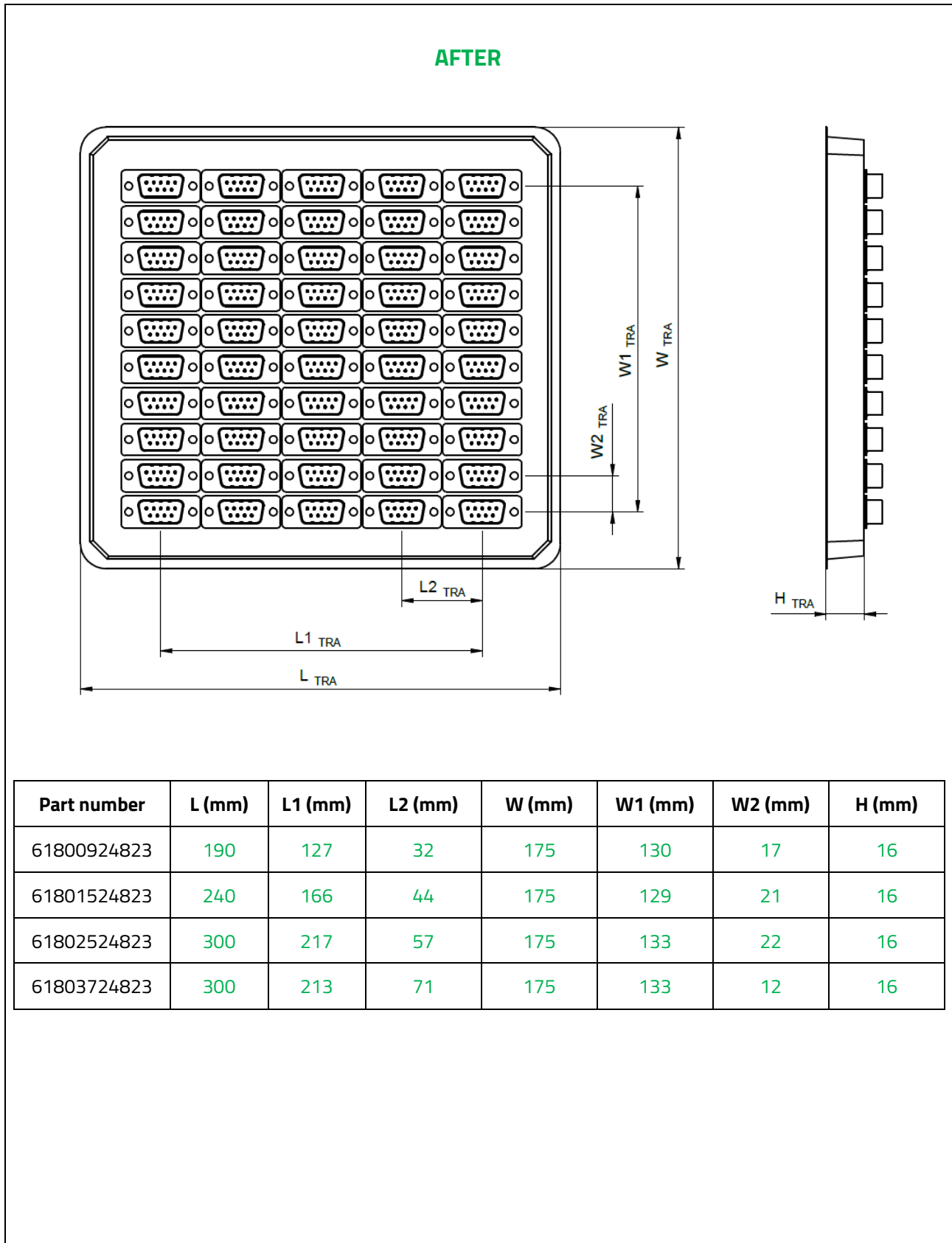


Part number	BEFORE			AFTER		
	L (mm)	L1 (mm)	L2 (mm)	L (mm)	L1 (mm)	L2 (mm)
61800924823	30.80	25.00	16.98	30.81	24.99	18.0
61801524823	39.20	33.32	25.25	39.14	33.32	26.6
61802524823	53.05	47.04	38.96	53.10	47.04	40.2
61803724823	69.40	63.50	55.42	69.50	63.50	55.3

#### Packaging specifications :

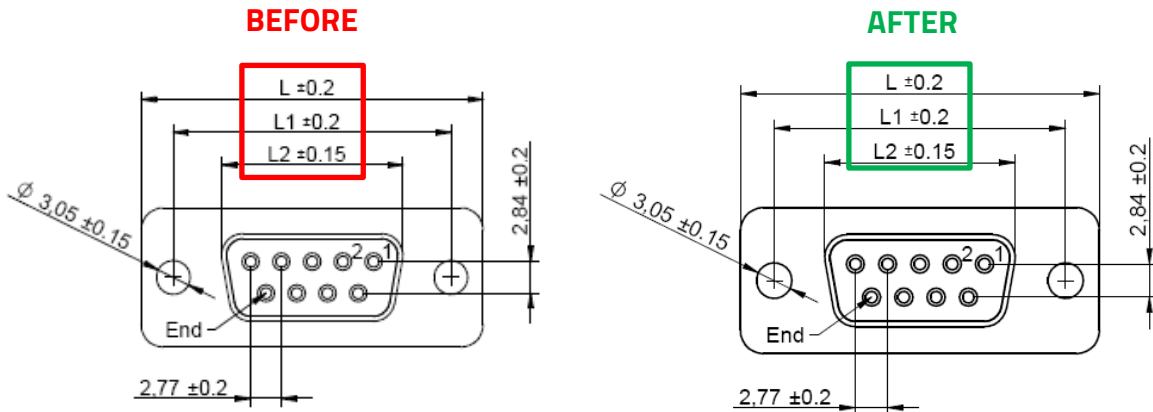
Part number	BEFORE		AFTER	
	Qty per tray (SPQ)	Qty per carton	Qty per tray (SPQ)	Qty per carton
61800924823	50	1600	50	1000
61801524823	50	1600	50	1000
61802524823	50	1200	50	1000
61803724823	40	880	40	800





## 6. 6180xx24923

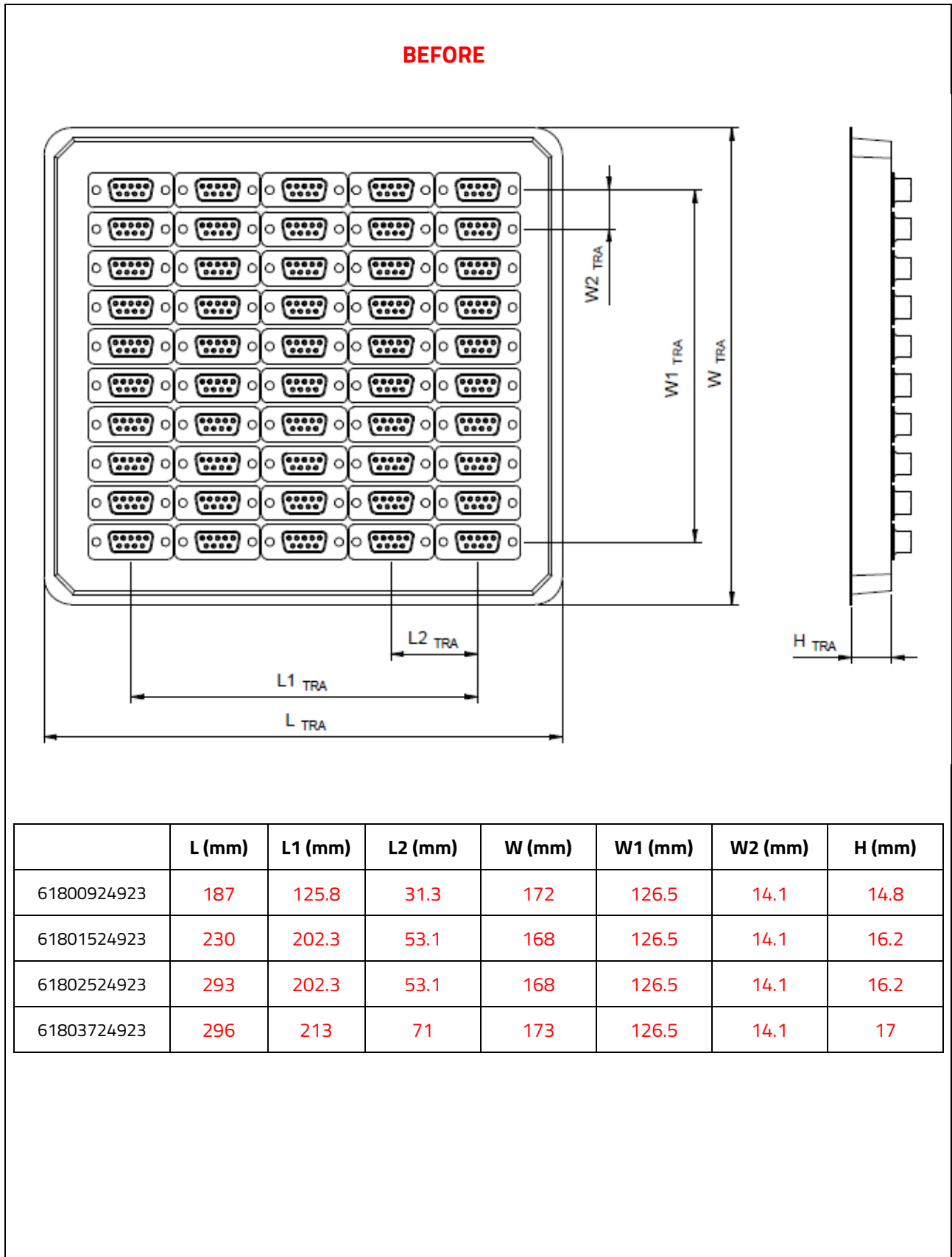
### Design Change:

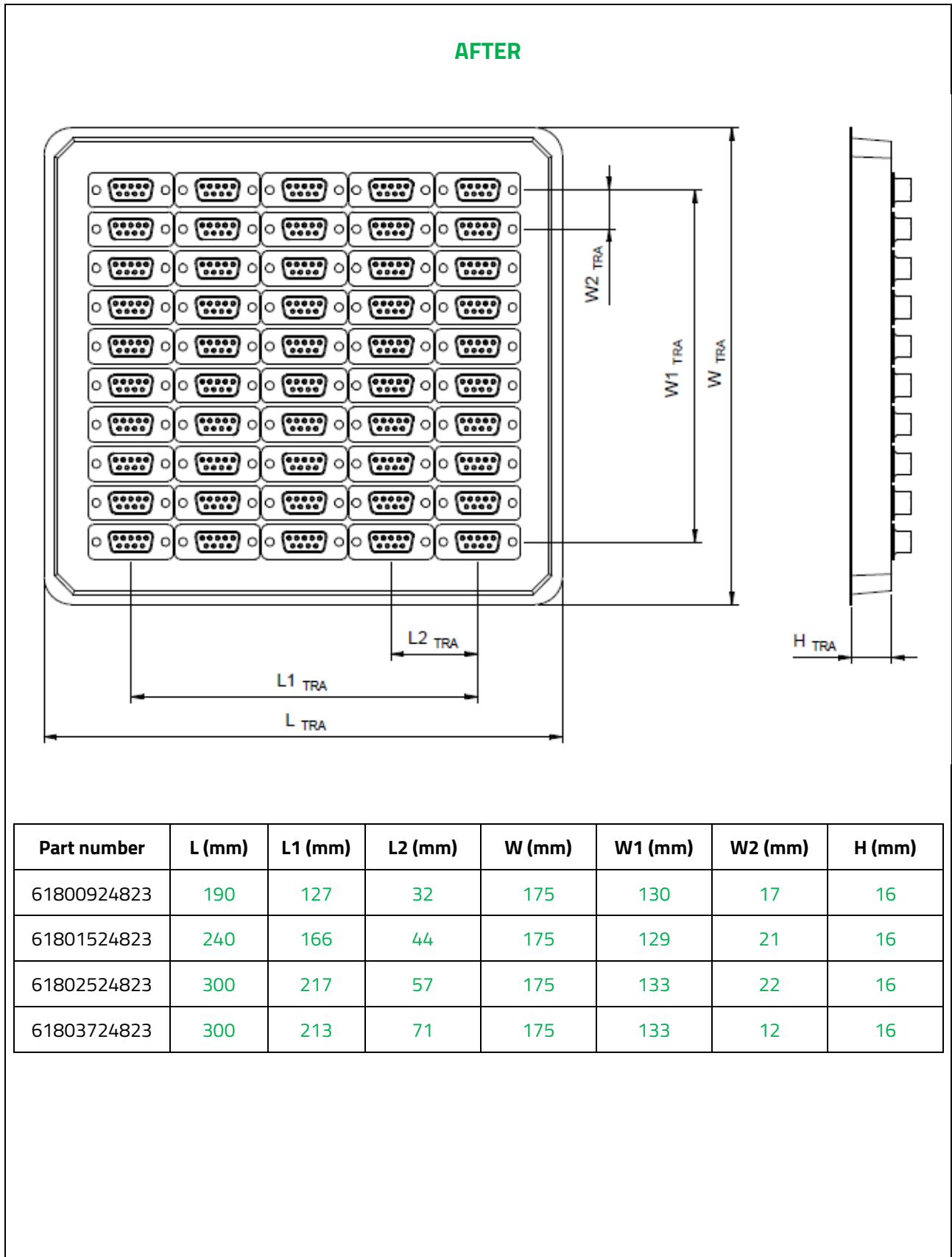


Part number	BEFORE			AFTER		
	L (mm)	L1 (mm)	L2 (mm)	L (mm)	L1 (mm)	L2 (mm)
61800924923	30.80	25.00	16.35	30.81	24.99	16.33
61801524923	39.20	33.32	24.70	39.14	33.32	25.25
61802524923	53.05	47.04	38.40	53.10	47.04	38.38
61803724923	69.40	63.50	54.80	69.50	63.50	53.91

### Packaging specifications :

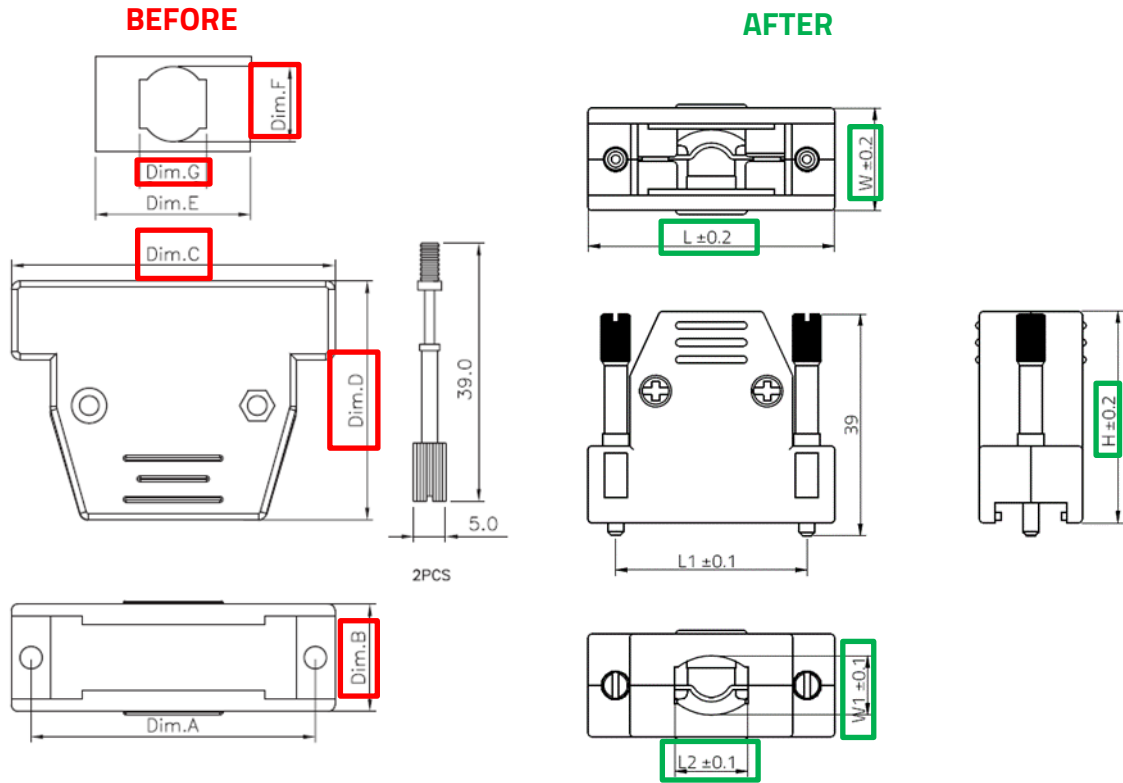
Part number	BEFORE		AFTER	
	Qty per tray (SPQ)	Qty per carton	Qty per tray (SPQ)	Qty per carton
61800924923	50	1600	50	1000
61801524923	50	1600	50	1000
61802524923	50	1200	50	1000
61803724923	40	880	40	800





## 7. 6180xx25322

### Design Change:



### BEFORE

Part number	B (mm)	C (mm)	D (mm)	F (mm)	G (mm)
61800925322	18.0	31.3	29.8	9.2	11.9
61801525322	18.0	43.2	37.1	10.4	12.8
61802525322	18.2	55.3	41.0	11.2	14.0
61803725322	18.2	70.5	48.0	14.0	15.8

### AFTER

Part number	W (mm)	L (mm)	H (mm)	W1 (mm)	L2 (mm)
61800925322	18.0	31.0	29.8	9.2	11.9
61801525322	18.0	43.2	37.1	10.4	12.8
61802525322	18.0	53.5	40.7	12.0	13.4
61803725322	18.0	70.5	46.7	14.0	16.0



**Packaging specifications:**

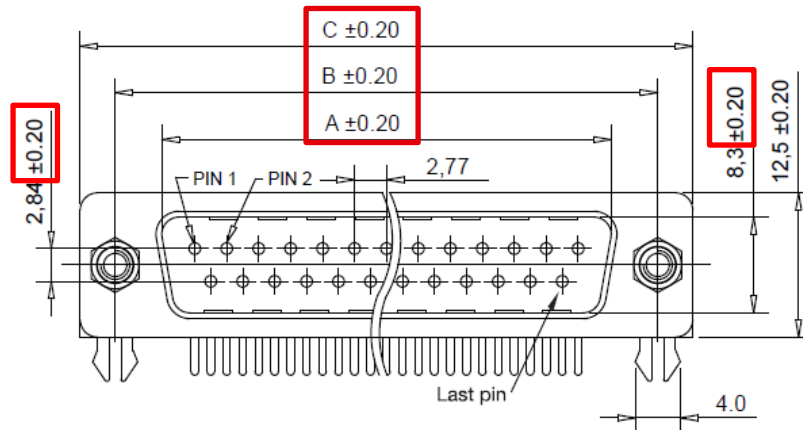
Part number	BEFORE		AFTER	
	Qty per bag (SPQ)	Qty per carton	Qty per bag (SPQ)	Qty per carton
61800925322	100	600	50	1000
61801525322	100	400	50	900
61802525322	50	350	50	700
61803725322	50	250	50	500



### 8. 618009231221

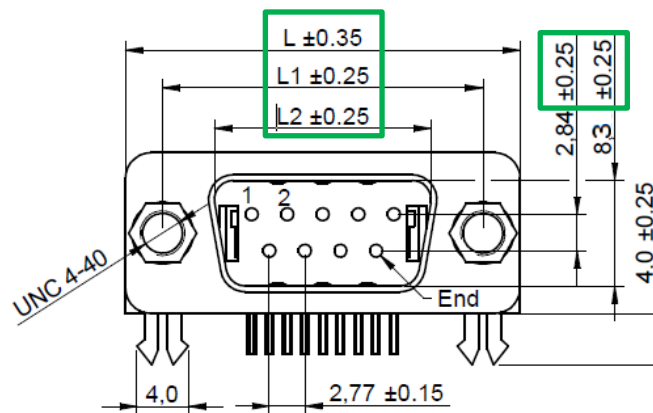
**Design Change:**

**BEFORE**



A ± 0.20 (mm)	B ± 0.20 (mm)	C ± 0.20 (mm)
30.81	24.99	16.92

**AFTER**



L2 ± 0.25 (mm)	L1 ± 0.25 (mm)	L ± 0.35 (mm)
30.80	25.00	16.92

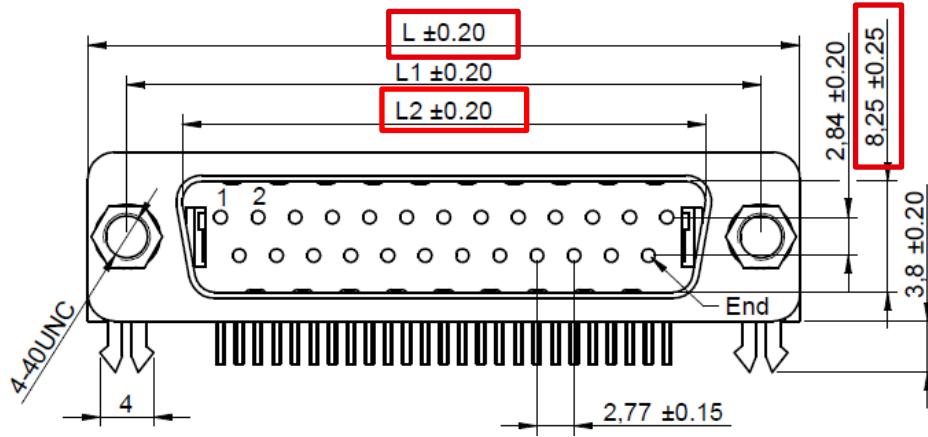
**Packaging specifications:**

Part number	BEFORE		AFTER	
	Qty per tray (SPQ)	Qty per carton	Qty per tray (SPQ)	Qty per carton
618009231221	100	1500	100	1000

### 9. 618025231421

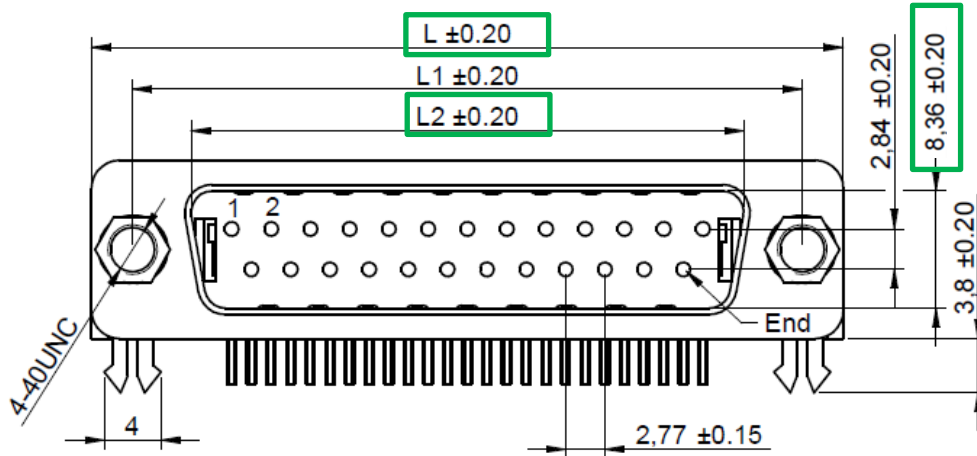
**Design Change:**

**BEFORE**



L (mm)	L1 (mm)	L2 (mm)
53.03	47.04	38.96

**AFTER**



L (mm)	L1 (mm)	L2 (mm)
53.04	47.04	39.94

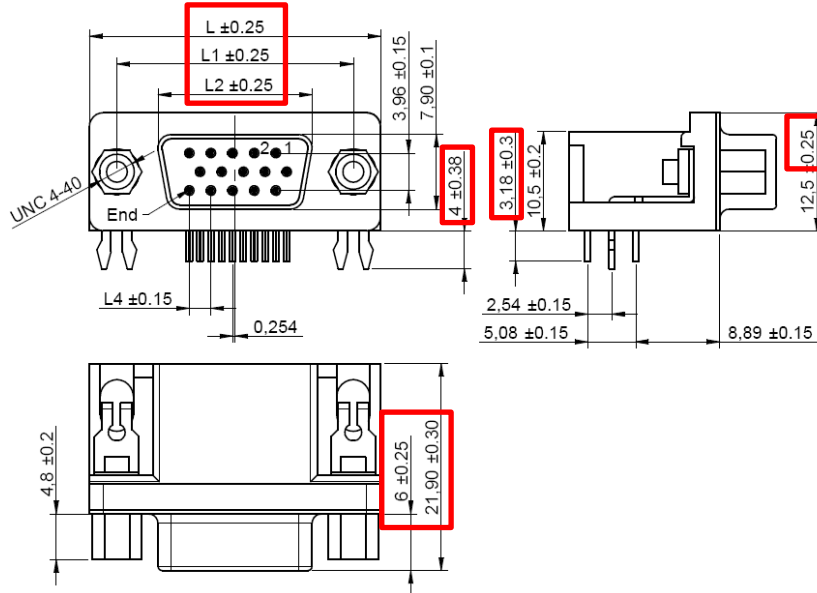
**Packaging specifications:**

Part number	BEFORE		AFTER	
	Qty per tray (SPQ)	Qty per carton	Qty per tray (SPQ)	Qty per carton
618025231421	50	750	50	1000

**10. 618015330923**

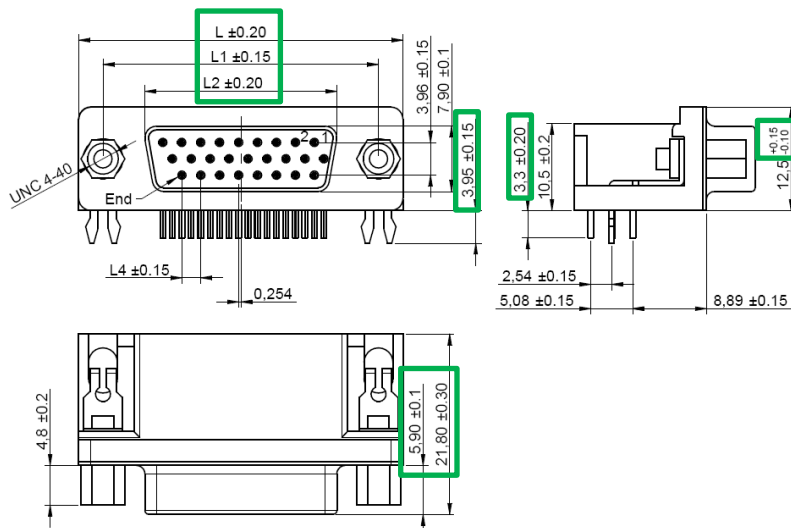
**Design Change:**

**BEFORE**



<b>L ± 0.25 (mm)</b>	<b>L1 ± 0.25 (mm)</b>	<b>L2 ± 0.25 (mm)</b>
<b>30.81</b>	<b>24.99</b>	<b>16.92</b>

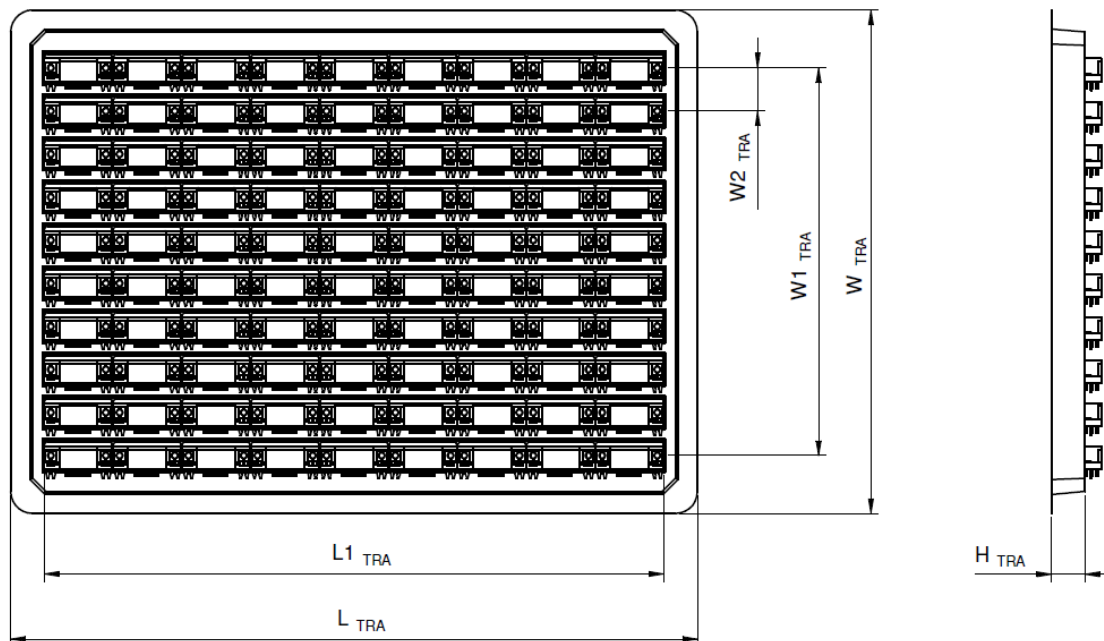
**AFTER**



<b>L ± 0.20 (mm)</b>	<b>L1 ± 0.15 (mm)</b>	<b>L2 ± 0.20 (mm)</b>
<b>30.80</b>	<b>24.99</b>	<b>16.30</b>

**Packaging specifications:**

Part number	BEFORE		AFTER	
	Qty per tray (SPQ)	Qty per carton	Qty per tray (SPQ)	Qty per carton
618015330923	90	1170	100	1000



BEFORE	L (mm)	L1 (mm)	W (mm)	W1 (mm)	W2 (mm)	H (mm)
618015330923	311.0	282.0	228.0	175.5	19.5	15.0

AFTER	L (mm)	L1 (mm)	W (mm)	W1 (mm)	W2 (mm)	H (mm)
618015330923	345	316	227	176	20	15

The shielding plating will change from **Ni** to **Sn over Cu**.

**Reliability / Qualification Summary:**

Product approval is according to the specification criteria and is internally released by the Product Management Department.

