



THE POWER OF CONNECTED

Product / Process Change Notification (PCN)

Honeywell Juarez Optoelectronica

PCN #	427	Notification Date:	01/19/2022
-------	-----	--------------------	------------

Title:	The padlocks of the commutator (84611) used in the push pull switches are out of the upper limit.		
--------	---	--	--

PCN type:	Notification only <input type="checkbox"/>	Authorization	<input checked="" type="checkbox"/>
-----------	--	---------------	-------------------------------------

Honeywell Contact

Name:	Maria de Jesus Cordero Gamboa	Title:	Sr. Quality Eng
-------	-------------------------------	--------	-----------------

Business Phone:	1 (52) 656 649-41-00	Fax #	N/A
-----------------	----------------------	-------	-----

E-mail:	MariadeJesus.Cordero@Honeywell.com	Date initiated:	01/19/2022
---------	------------------------------------	-----------------	------------

Product Identification

Affected Part #(s)	All (See the list of the affected part numbers in the annex at the end of the document)		
--------------------	---	--	--

Revision # (s)	All		
----------------	-----	--	--

Does this change result in product number change?	YES <input type="checkbox"/>	NO <input checked="" type="checkbox"/>
---	------------------------------	--

Reason for Change: (check all that apply)

Material	<input checked="" type="checkbox"/>	Processing / Manufacturing	<input type="checkbox"/>
Design / Firmware / Software	<input type="checkbox"/>	Datasheet	<input type="checkbox"/>
Logistics	<input type="checkbox"/>	Functional	<input type="checkbox"/>
Appearance	<input type="checkbox"/>	Dimensional	<input type="checkbox"/>
Quality / Reliability	<input type="checkbox"/>	Other:	<input type="checkbox"/>

Change Description (include detailed process steps as applicable)

Documentation attached:	YES <input type="checkbox"/>	NO <input checked="" type="checkbox"/>
-------------------------	------------------------------	--

This temporary PCN is to assemble and ship units by using commutators with the padlocks out of the upper limit according the current specifications of the drawing. The original specification in the drawing is .025" +/- .003" and the dimensions of the material are at .048" approximately.

Justification for change

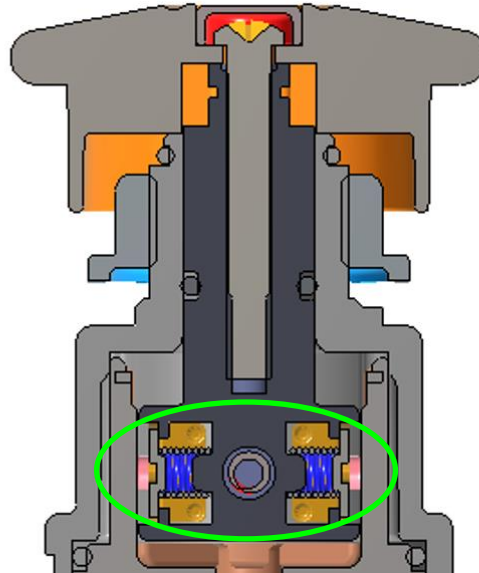
Documentation attached:	YES <input type="checkbox"/>	NO <input checked="" type="checkbox"/>
-------------------------	------------------------------	--

Supplier is working in improve the tooling, and the material that they have currently in stock do not meet the current specification .025" +/- .003"

Quantifiable impact on Quality & Reliability (Include FMEA / reliability data as applicable)

Documentation attached: YES NO

The only purpose for the padlocks is to hold the commutator in position during assembly. Once assembled as showed in the below image, they are far from interfering with any of the other components in the assembly.



Identification method to distinguish change

Date code: 22010 (From January 10, 2022).

Results Qualification Plan

Documentation attached: YES NO

Samples: Available Will be available: Not Applicable

Sample availability date: When required

The parts assembled as intended (with not issues) and passed all the tests made during the production process.

- Continuity test – Acceptable results.
- Intermittency test – Acceptable results.



THE POWER OF CONNECTED

Product / Process Change Notification (PCN)

Honeywell Juarez Optoelectronica

Customer Acknowledgement & Disposition *(applicable for AUTHORIZATION PCN type only)*

Honeywell requests that you acknowledge receipt of this change notification and provide your written authorization. Please sign and e-mail to ana.rosales@honeywell.com and contact listed above.

Approved:	<input checked="" type="checkbox"/>
Rejected:	<input type="checkbox"/>
Reject Reason: <i>(if applicable)</i>	
Disposition Date:	
Company:	
Name:	
Title:	
Business Phone:	
Fax #	
E-mail:	
Location:	
Comments: <i>(if any)</i>	

For **PCN's of type notification only**, the factory will start shipping product as soon as the PCN is sent out to customers.

Annex 1

List of part numbers.
32303848-001-12
50058830-05
50058830-05
50058830-11
50058830-11=CAT
50070967-002-08
50070967-003-00
50070974-001-01
50070974-002-01
50070974-003-01
50070974-003-08
50070974-004-00
50070974-004-01
50070974-005-01
50070974-006-01
50087384-12
50092634-02
50093979-05
50093979-11
50097657-001-11
50099156-001-05
87941-00
87941-01
87941-08
87943-00
87943-01
87943-04
87943-08
87944-04
87944-08
89496-09
90201-02