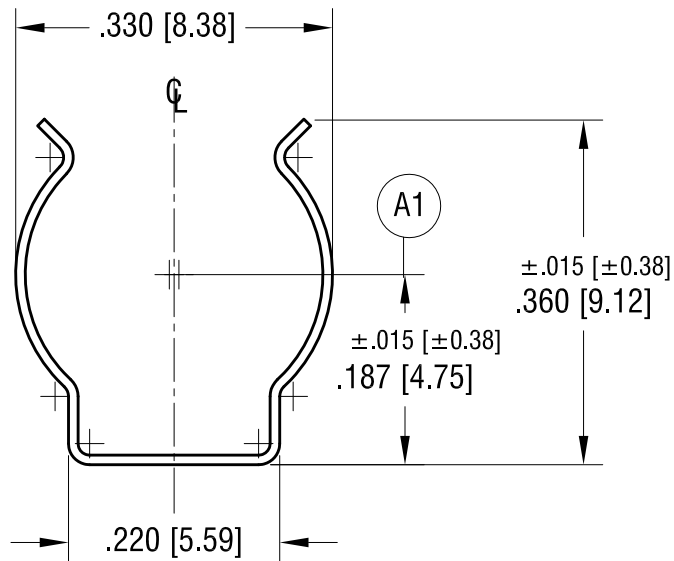
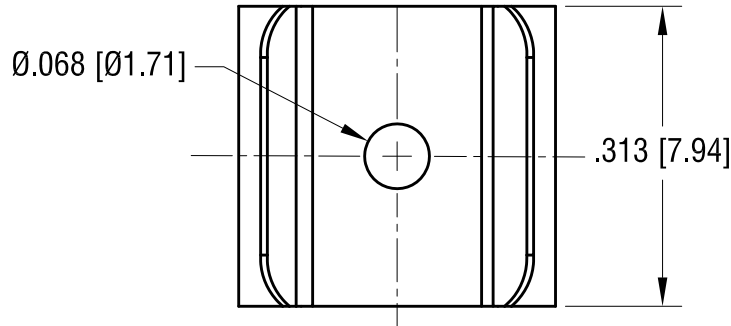


THIS DOCUMENT IS THE PROPERTY OF
KEYSTONE ELECTRONICS CORP. AND
SHALL NOT BE REPRODUCED, DISTRIBUTED
OR USED AS A BASIS FOR MANUFACTURE
WITHOUT PRIOR WRITTEN PERMISSION
FROM KEYSTONE ELECTRONICS CORP.

ACTUAL SIZE



NOTE:
HEAT TREAT TO SPRING TEMPER

3.20.19	A1 WAS .200±.015 CHANGE AS PER ECN 19-036	A
DATE	DESCRIPTION	REV.

KEYSTONE ELECTRONICS CORP.			
www.keyelco.com • NEW HYDE PARK, NY 11040 • Tel (516) 328-7500			
PART NAME		BATTERY CLIP FOR 'AAAA' CELL	
MATERIAL		.010 [0.25] TH'K SPRING STEEL	
FINISH		DRN BY	DATE
NICKEL PLATE		NT	5.08.18
		APP'D	SCALE
		LN	5X
TOLERANCES	INCH [MM]	CODE	DWG NO.
DECIMAL	±.010 [±0.25]	C	251
ANGULAR	± 2°		
UNLESS OTHERWISE SPECIFIED			