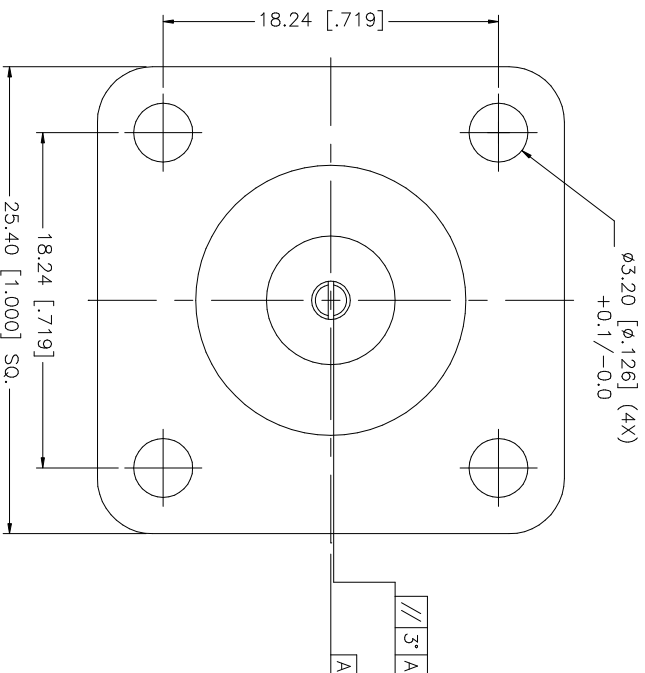
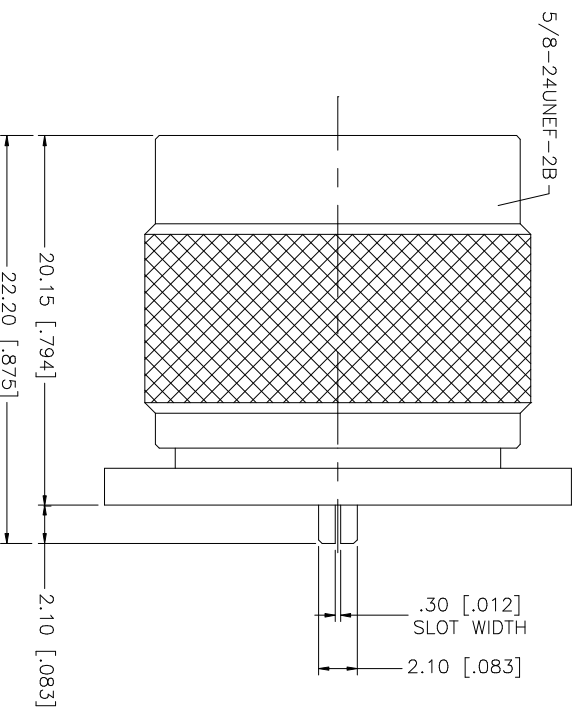


REV.	DATE	DESCRIPTION
NC	08/20/98	INITIAL RELEASE
A	08/29/06	UPDATE DRAWING



NOTE:

1. SLOT DIMENSIONS AS FOLLOWS:

- 172120 - 0.3mm [0.012] SLOT
- 172120-10 - 0.5mm [0.020] SLOT
- 172120-11 - 0.7mm [0.028] SLOT
- 172120-12 - 0.9mm [0.035] SLOT

UNLESS OTHERWISE SPECIFIED DIMENSIONS ARE IN MILLIMETERS DIMENSIONS IN [ ] ARE IN INCHES AND FOR CUSTOMER REFERENCE ONLY.	UNLESS OTHERWISE SPECIFIED DIMENSIONS ARE IN MILLIMETERS DIMENSIONS IN [ ] ARE IN INCHES AND FOR CUSTOMER REFERENCE ONLY.	UNLESS OTHERWISE SPECIFIED DIMENSIONS ARE IN MILLIMETERS DIMENSIONS IN [ ] ARE IN INCHES AND FOR CUSTOMER REFERENCE ONLY.	UNLESS OTHERWISE SPECIFIED DIMENSIONS ARE IN MILLIMETERS DIMENSIONS IN [ ] ARE IN INCHES AND FOR CUSTOMER REFERENCE ONLY.	UNLESS OTHERWISE SPECIFIED DIMENSIONS ARE IN MILLIMETERS DIMENSIONS IN [ ] ARE IN INCHES AND FOR CUSTOMER REFERENCE ONLY.	UNLESS OTHERWISE SPECIFIED DIMENSIONS ARE IN MILLIMETERS DIMENSIONS IN [ ] ARE IN INCHES AND FOR CUSTOMER REFERENCE ONLY.
8					
7					
6					
5					
4					
3	CONTACT PIN	BER. COPPER	GOLD	1	
2	INSULATOR	TEFLON	NATURAL	1	
1	BODY	BRASS	NICKEL	1	
	DESCRIPTION	MATERIAL	FINISH	QTY	
				DO NOT SCALE DRAWING	
		APPROVALS		DATE	
		DRAWN G.R.S.		08/29/06	
		CHECKED			
		ISSUED			
		SHEET 1 OF 1			
		CAD FILE C:/1722/172120.DWG			
		DWG. NO. 172120.DWG		REV. A	
		SIZE A		SCALE NA	
		PART NO. 172120			
		N PANEL PLUG SLOT TERMINAL			
		<b>Amphenol Connex</b>			