

# Housing - HC-STA-D07-CHWSCM-1TTM20-EL-AL - 1419246


Please be informed that the data shown in this PDF Document is generated from our Online Catalog. Please find the complete data in the user's documentation. Our General Terms of Use for Downloads are valid (<http://phoenixcontact.com/download>)



Coupling housings D7, with single locking latch, material: Die-cast aluminum, salt water resistant, protective cover material: PA, cable outlets: 1, straight, height: 60.5 mm, cable gland: none, support sleeve: yes, 1x M20, protective cover: yes, Standard, for pin inserts



## Key Commercial Data

|              |   |
|--------------|---|
| Packing unit | 1 pc  |
| GTIN         | <br>4 055626 159775 |
| GTIN         | 4055626159775   |

## Technical data

### Dimensions

|        |         |
|--------|---------|
| Height | 60.5 mm |
| Width  | 34.2 mm |
| Length | 24.2 mm |

### Ambient conditions

|                                 |                   |
|---------------------------------|-------------------|
| Degree of protection (IP)       | IP66              |
|                                 | IP67              |
| Ambient temperature (operation) | -40 °C ... 125 °C |

### General

|                      |   |
|----------------------|---|
| Note                 | for contact inserts HC-A03, A04, D07, D08, Q02, Q03, Q04, Q05, Q07, Q12 |
| Size                 | D7  |
| Housing type         | Coupling housings   |
| Color                | gray aluminum   |
| Locking type         | with single locking latch   |
| No. of cable outlets | 1   |
| Cable outlet         | straight  |

# Housing - HC-STA-D07-CHWSCM-1TTM20-EL-AL - 1419246

## Technical data

### General

|                              |   |
|------------------------------|---|
| Screw connection             | none                                    |
| Type of the screw connection | 1x M20                                  |
| Protective cover             | yes                                     |
| Housing material             | Die-cast aluminum, salt water resistant |
| Housing surface material     | uncoated                                |
| Material lock                | PA                                      |
| Material, protective cover   | PA                                      |

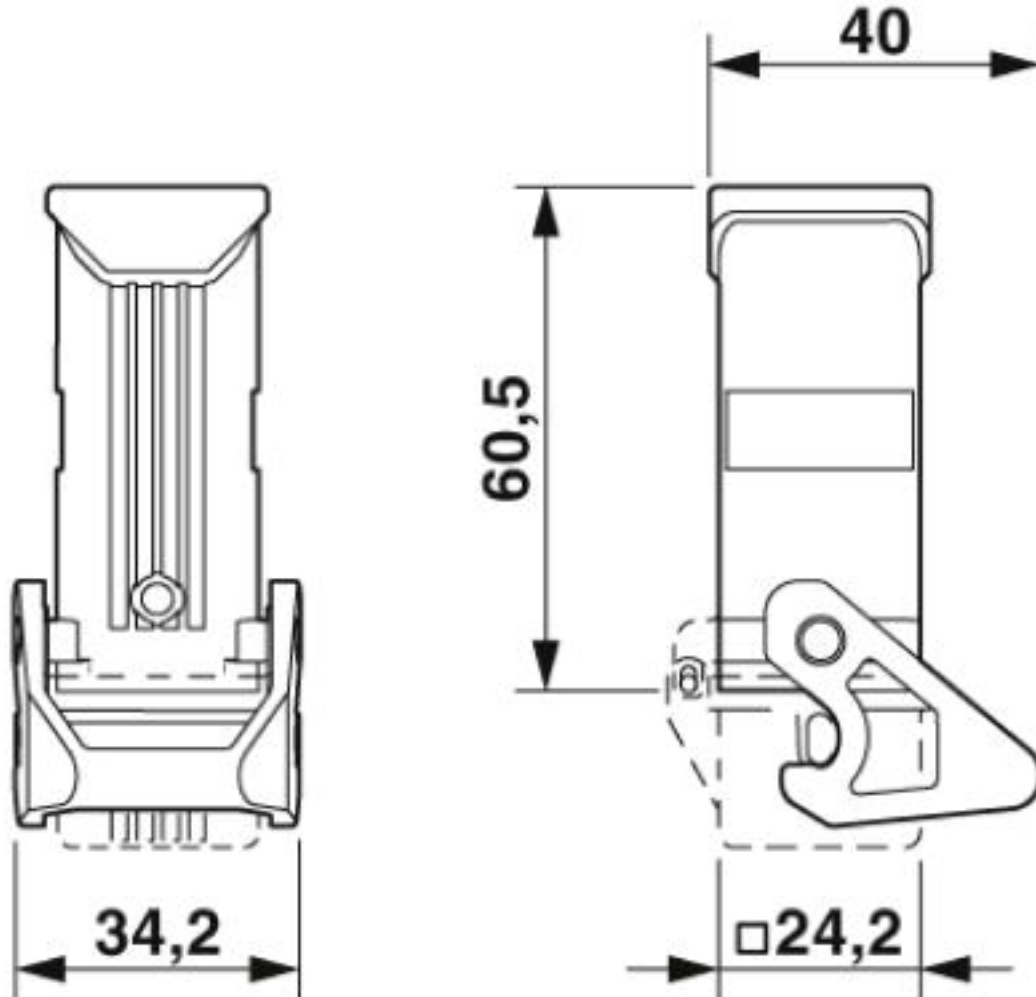
### Environmental Product Compliance

|            |   |
|------------|---|
| China RoHS | Environmentally Friendly Use Period = 50  |
|            | For details about hazardous substances go to tab "Downloads", Category "Manufacturer's declaration" |

## Drawings

# Housing - HC-STA-D07-CHWSCM-1TTM20-EL-AL - 1419246

Dimensional drawing



Dimensional drawing

Approvals

Approvals

---

Approvals

EAC / DNV GL

---

Ex Approvals

---

Approval details

## Housing - HC-STA-D07-CHWSCM-1TTM20-EL-AL - 1419246

### Approvals

|     |   |                          |
|-----|---|--------------------------|
| EAC |  | RU C-<br>DE.AI30.B.01102 |
|-----|---|--------------------------|

|        |   |   |            |
|--------|---|---|------------|
| DNV GL |  | <a href="https://approvalfinder.dnvgl.com/">https://approvalfinder.dnvgl.com/</a> | TAE000037S |
|--------|---|---|------------|

Phoenix Contact 2019 © - all rights reserved  
<http://www.phoenixcontact.com>

PHOENIX CONTACT GmbH & Co. KG  
Flachsmarktstr. 8  
32825 Blomberg  
Germany  
Tel. +49 5235 300  
Fax +49 5235 3 41200  
<http://www.phoenixcontact.com>