

4

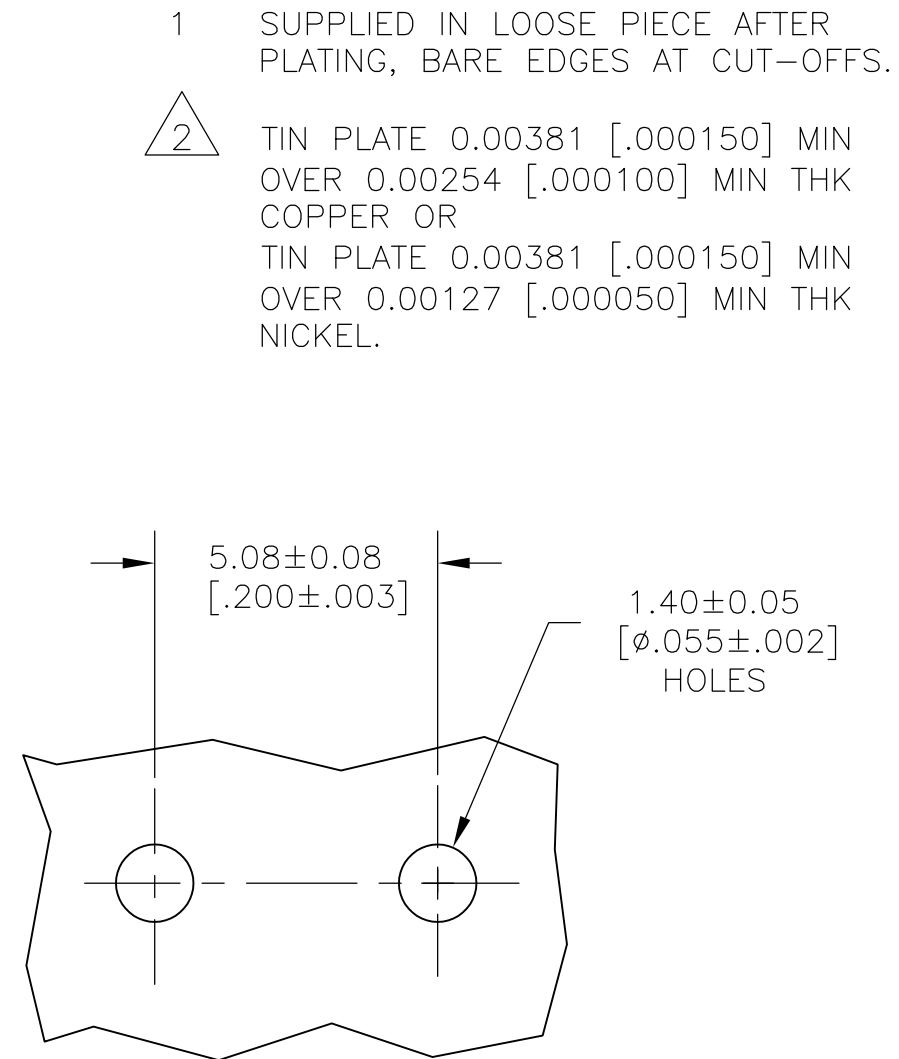
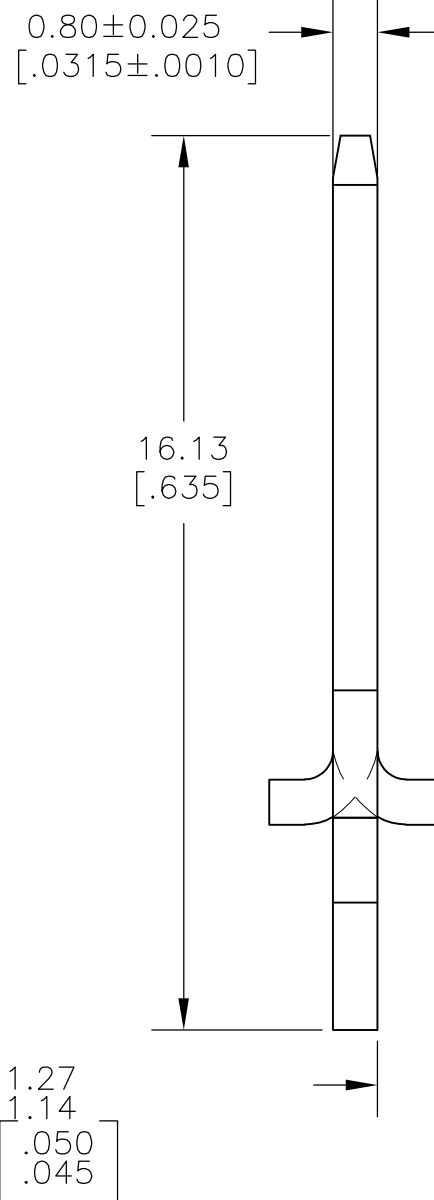
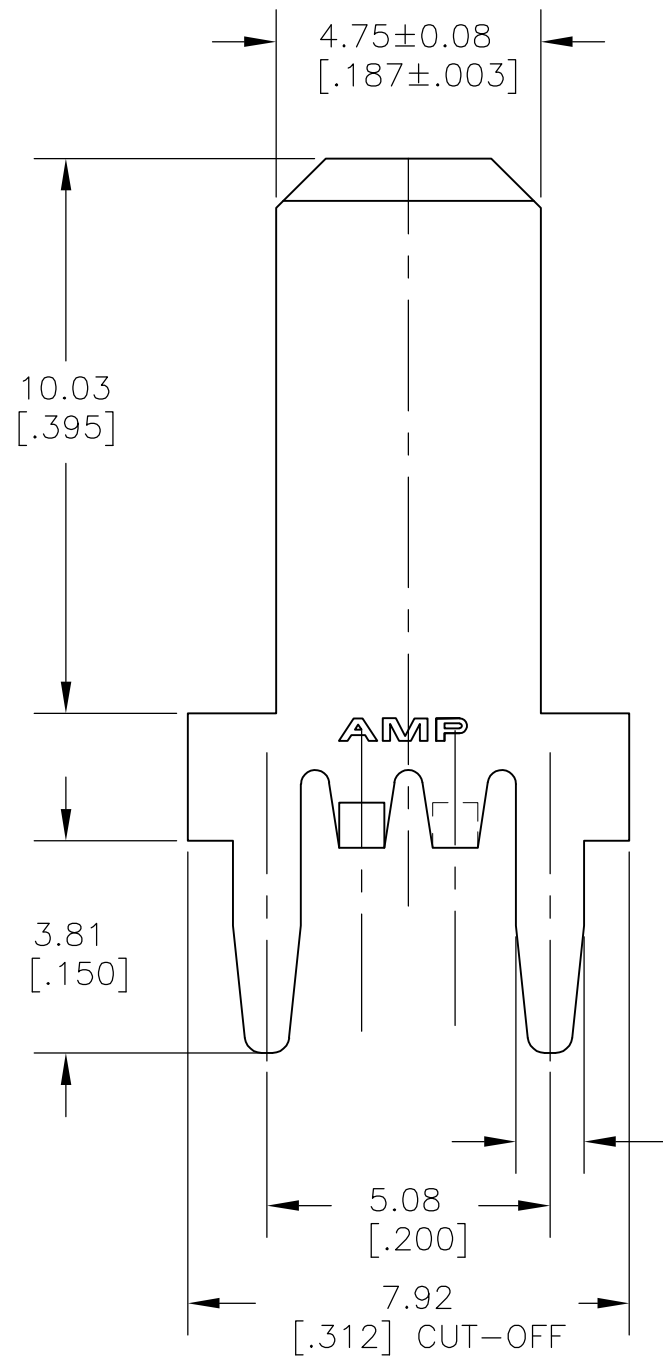
3

2

1

THIS DRAWING IS UNPUBLISHED. RELEASED FOR PUBLICATION - , - .
 © COPYRIGHT - By - ALL RIGHTS RESERVED.

LOC	DIST	REVISIONS			
P	LTR	DESCRIPTION	DATE	DWN	APVD
AF	50	E	REVISED PER ECR-13-001204	28JUN13	KH PD



1 SUPPLIED IN LOOSE PIECE AFTER PLATING, BARE EDGES AT CUT-OFFS.
 2 TIN PLATE 0.00381 [.000150] MIN OVER 0.00254 [.000100] MIN THK COPPER OR TIN PLATE 0.00381 [.000150] MIN OVER 0.00127 [.000050] MIN THK NICKEL.

P.C. BOARD HOLE PATTERN

1217332-1
PART NO.

THIS DRAWING IS A CONTROLLED DOCUMENT.		DWN JR RUTH 03APR01	STE TE Connectivity		
DIMENSIONS: mm [INCHES]		CHK MS FEHER 03APR01			
TOLERANCES UNLESS OTHERWISE SPECIFIED:		APVD N DEIBERT 03APR01	NAME		
0 PLC ± -		PRODUCT SPEC	TAB, FASTON, P.C.BOARD		
1 PLC ± -		APPLICATION SPEC	4.75 [.187]		
2 PLC ± 0.25 [.010]		WEIGHT -	SIZE A3	CAGE CODE 00779	DRAWING NO C-1217332
3 PLC ± -		FINISH	RESTRICTED TO		
4 PLC ± -			-		
ANGLES ± -		CUSTOMER DRAWING	SCALE 8:1	SHEET 1 OF 1	REV E
MATERIAL BRASS	FINISH	-			