

INSERT ORIENTATION

E32XXXXXXX2X

E32XXXXXXX6X

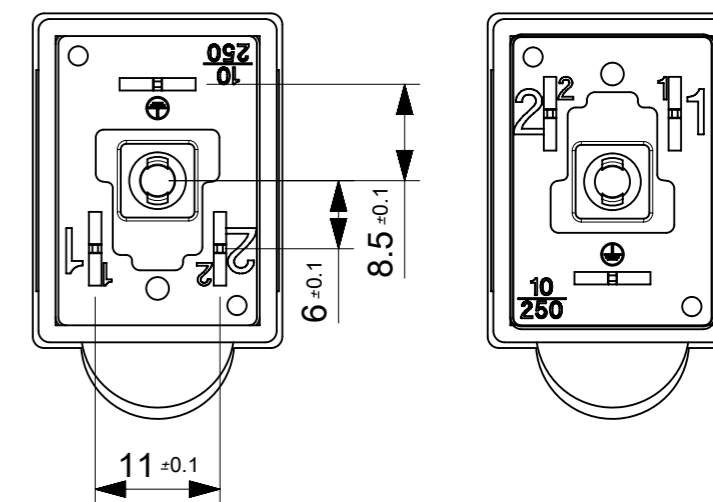


TABLE OF LENGTH TOLERANCES [mm]		
Over	Up to and Including	TOLERANCE
0	1000	±20
1000	3000	±30
3000	5000	±40
5000	10000	±50
10000	15000	±100
15000	20000	±150
20000		±L/100

Wiring Configuration

E321XXXXXXXX	Brown (or Black 1)	○ ———— < 1
	Blue (or Black 2)	○ ———— < 2
E322XXXXXXXX	Brown (or Black 1)	○ ———— < 1
	Blue (or Black 2)	○ ———— < 2
	Green/Yellow (or Black 3)	○ ———— < ⊕

Type of Screws and Gaskets (Scale 1:1)

Profiled Gasket	Flat Gasket	Integrated Gasket	Screw M3x25

QUALITY SYMBOLS A = 0 E = 0 EP = 0 V = 0 C = 0 X = 0 ■ = 0 ▽ = 0	THIS DRAWING CONTAINS INFORMATION THAT IS PROPRIETARY TO MOLEX ELECTRONIC TECHNOLOGIES, LLC AND SHOULD NOT BE USED WITHOUT WRITTEN PERMISSION		DIMENSION UNITS mm	SCALE 3:2			
	EC NO: 169620 DRWN: APAWLAK01 CHK'D: MIWASIECZKO APPR: MIWASIECZKO	2017/12/14 2017/12/15	GENERAL TOLERANCES (UNLESS SPECIFIED) ANGULAR TOL ± °	DRWN BY APAWLAK01		DATE 2017/12/14	STANDARD E32X DIN FORM IND EN 175301-803
DRAFT WHERE APPLICABLE MUST REMAIN WITHIN DIMENSIONS		4 PLACES ± 3 PLACES ± 2 PLACES ± 1 PLACE ± 0 PLACES ±	CHK'D BY MIWASIECZKO	DATE 2017/12/15		PRODUCT CUSTOMER DRAWING	
A	REV	DRAWING SIZE A3	THIRD ANGLE PROJECTION	SERIES 121040			MATERIAL NUMBER SEE 1210400378 PDP
RELEASE STATUS P1 RELEASE DATE 15.12.2017 15:02:24			DOCUMENT NUMBER 1210400378		DOC TYPE PSD	DOC PART 000	SHEET NUMBER 1 OF 2

PN KEY - NUMERICAL CODE (Available parts see PART LIST table. Others parts available upon request).

E 3 2 X X X X X X X X X

E - Packing without bags
W - Single Packing

Number of wires:
1 - 2 Wires
2 - 2 Wires + Earth

Cable type:
See Table

Head Colour:
G - Grey
N - Black
A - CSA-UL Black
B - CSA-UL Grey

Cable Length in [cm]
Examples:
050 = 50cm
300 = 300cm
10K = 1000cm

Earth PIN location (see insert orientation table):
2 = Earth on H12
6 = Earth on H6


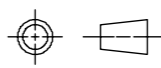
Type of Gasket and Screw (see sheet 1):
1 = NBR Profile Gasket + Fixing Screw M3x25mm
2 = NBR Flat Gasket + Fixing Screw M3x25mm
3 = Silicone Profile Gasket + Fixing Screw M3x25mm
4 = Silicone Flat Gasket + Fixing Screw M3x25mm
P = NBR Integrated Gasket + Fixing Screw with Washer M3x27mm Assembled on Connector
R = NBR Integrated Gasket + Fixing Screw with Washer M3x27mm NOT Assembled on Connector
T = NBR Profile Gasket + Fixing Screw with Washer M3x27mm
K = NBR Integrated Gasket + Fixing Screw INOX with Washer M3x27mm Assembled on Connector

CABLE TYPE	NO. OF WIRES	CROSS SECTION	CABLE O.D.	CABLE JACKET	UL	CSA	STATIC: TEMP. / BENDING RADIUS	DYNAMIC: TEMP. / BENDING RADIUS	SHIELD
A2	3	AWG 20	5.6mm±0.2	PVC BLACK	UL 2661	CSA C22.2	-30°C to +105°C, 10xO.D.	-5°C to +105°C, 15xO.D.	-
A3	3	AWG 18	6.5mm±0.25	PVC BLACK	UL 2661	CSA C22.2	-30°C to +105°C, 10xO.D.	-5°C to +105°C, 15xO.D.	-
B2	3	AWG 20	5.6mm±0.2	PUR BLACK	UL 20668	CSA C22.2	-40°C to +90°C, 5xO.D.	-25°C to +90°C, 10xO.D.	-
B3	3	AWG 18	6.5mm±0.2	PUR BLACK	UL 20668	CSA C22.2	-40°C to +90°C, 5xO.D.	-25°C to +90°C, 10xO.D.	-
I2	3	0.5mm ²	5.5mm+0.3	PVC GREY	-	-	-25°C to +70°C, 10xO.D.	-5°C to +70°C, 15xO.D.	-
I4	3	1mm ²	7.1mm+0.2	PVC GREY	-	-	-25°C to +70°C, 10xO.D.	-5°C to +70°C, 15xO.D.	-
N2	3	0.5mm ²	5.6mm±0.7	PVC BLACK	-	-	-20°C to +70°C, 3xO.D.	-15°C to +70°C, 5xO.D.	-
N3	3	0.75mm ²	6.8mm±0.8	PVC BLACK	-	-	-20°C to +70°C, 3xO.D.	-15°C to +70°C, 5xO.D.	-
P2	3	0.5mm ²	5.5mm+0.3	PUR BLACK	-	-	-40°C to +90°C, 7.5xO.D.	-15°C to +90°C, 12.5xO.D.	-
P3	3	0.75mm ²	6.5mm±0.2	PUR BLACK	-	-	-40°C to +90°C, 7.5xO.D.	-15°C to +90°C, 12.5xO.D.	-

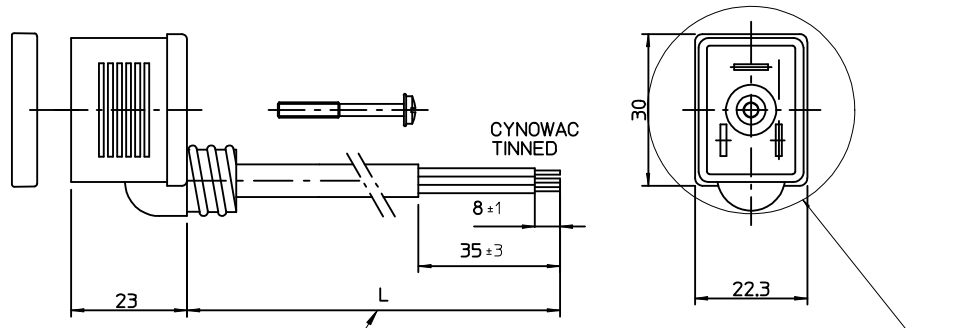
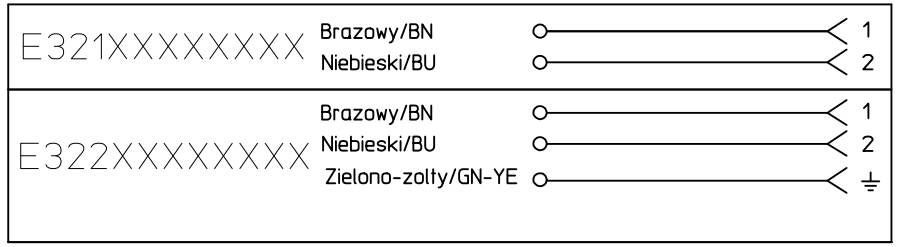
Notes:

- Please see excel sheet 1210400378_PDP for currently configured part numbers.
- Drawing is a replacement for SD: E32XXXXXXXXXX

RELEASE STATUS	P1	RELEASE DATE	15.12.2017	15:02:24
----------------	----	--------------	------------	----------

QUALITY SYMBOLS ▽ = 0 ▽ = 0 ▽ = 0 ▽ = 0 ▽ = 0 ▽ = 0 ▽ = 0 ▽ = 0 ▽ = 0 ▽ = 0	THIS DRAWING CONTAINS INFORMATION THAT IS PROPRIETARY TO MOLEX ELECTRONIC TECHNOLOGIES, LLC AND SHOULD NOT BE USED WITHOUT WRITTEN PERMISSION										
	EC NO: 169620 DRWN: APAWLAK01 CHK'D: APPR: MIWASIECZKO	2017/12/14 2017/12/15	GENERAL TOLERANCES (UNLESS SPECIFIED)		DIMENSION UNITS	SCALE	 STANDARD E32X DIN FORM IND EN 175301-803 PRODUCT CUSTOMER DRAWING				
			ANGULAR TOL ± °		mm	1:1					
			4 PLACES ±	APAWLAK01	DATE	2017/12/14					
			3 PLACES ±	CHK'D BY	DATE						
			2 PLACES ±	APPR BY	DATE						
	1 PLACE ±	MIWASIECZKO	DATE	2017/12/15	DRAWING SIZE		THIRD ANGLE PROJECTION				
	0 PLACES ±	DRAFT WHERE APPLICABLE MUST REMAIN WITHIN DIMENSIONS		A3				SERIES	MATERIAL NUMBER	CUSTOMER	
					A3		121040	SEE 1210400378 PDP	GENERAL MARKET		
					A3		DOCUMENT NUMBER		DOC TYPE	DOC PART	SHEET NUMBER
				A3		1210400378		PSD	000	2 OF 2	

SCHEMAT POLACZEN/WIRING CONFIGURATION



PATRZ UWAGA 1
SEE NOTE 1

Patrz Orientacja Obudowy/See Insert Orientation

Orientacja Obudowy/Insert Orientation

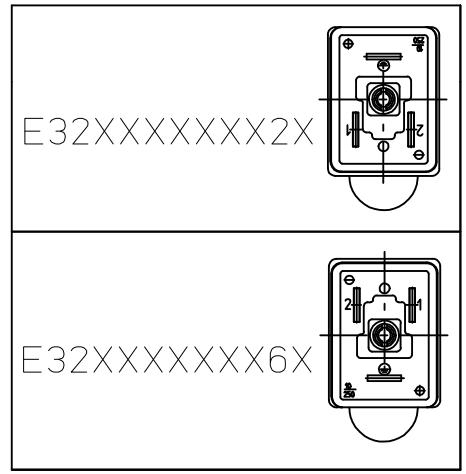


Table of lenght tolerances/ Tablica tolerancji dlugosci mm		
Over/Od	Up to and including/ Do-wlacznie	Tolerance/Tolerancja
100	1000	±20
1000	3000	±30
3000	5000	±40
5000	10000	±50
10000	15000	±100
15000	20000	±150
20000		±L/100

UWAGI:
1. DLUGOSC PATRZ ARKUSZ 2.
NOTES:
1. LENGHT SEE SHEET 2.

ORIGINAL RELEASE EC NO: WEU2009-0449 DRWIN: MWOLSZCZAK 2009/06/30 CHYKD: MDABROWSKA 2009/07/01 APPR: GOGRODNIK 2009/07/01	QUALITY SYMBOLS	GENERAL TOLERANCES (UNLESS SPECIFIED)	DIMENSION STYLE	SCALE	DESIGN UNITS	FIRST ANGLE PROJECTION
	▼=0 ◻=0	mm INCH 4 PLACES ± --- ± --- 3 PLACES ± --- ± --- 2 PLACES ± --- ± --- 1 PLACE ± --- ± --- ANGULAR ± ---°	MM ONLY	1:1	METRIC	
	DESCRIPTION	DRAWN BY	DATE	TITLE		
		MLEWYTSKY	2009/01/21	MPM E32XXXXXXXXX		
		CHECKED BY	DATE	MATERIAL NO.		
		MDABROWSKA	2009/01/21	DOCUMENT NO.		
		APPROVED BY	DATE	SHEET NO.		
		MWOLSZCZAK	2009/01/21	1 OF 4		
		DRAFT WHERE APPLICABLE MUST REMAIN WITHIN DIMENSIONS		MOLEX INCORPORATED		
		SEE DRAWING		E32XXXXXXXXX		
		THIS DRAWING CONTAINS INFORMATION THAT IS PROPRIETARY TO MOLEX INCORPORATED AND SHOULD NOT BE USED WITHOUT WRITTEN PERMISSION				