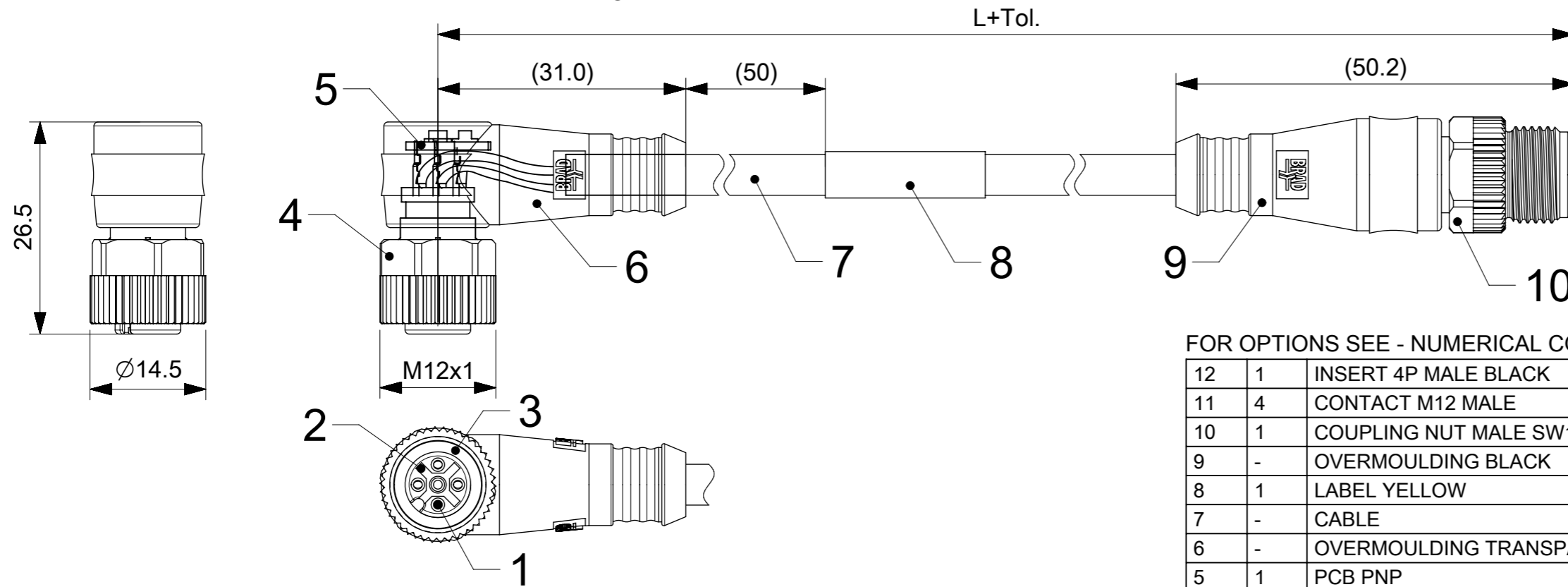
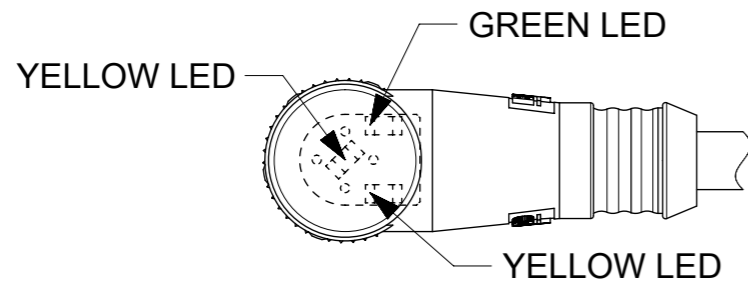
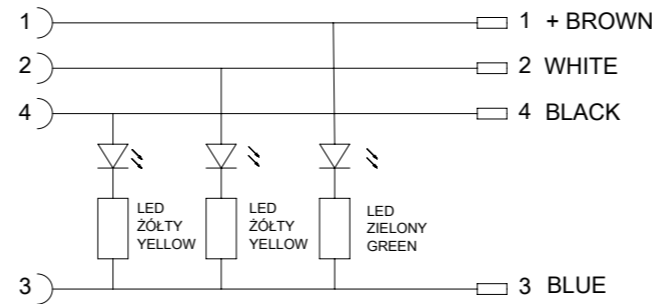


# FEMALE PNP PLUG M12 90° ANGLED TO MALE PLUG M12 STRAIGHT

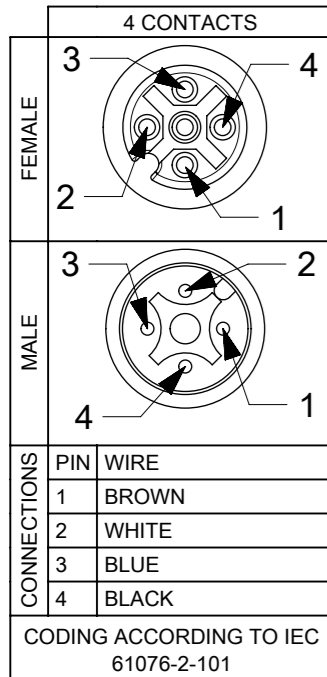
## WIRING DIAGRAM



FOR OPTIONS SEE - NUMERICAL CODE - ON SHEET 2

ITEM	QTY.	DESCRIPTION	MATERIAL	FINISH
12	1	INSERT 4P MALE BLACK	TPU	---
11	4	CONTACT M12 MALE	BRASS	SELECTIVE GOLD OVER NICKEL
10	1	COUPLING NUT MALE SW13	BRASS	NICKEL
9	-	OVERMOULDING BLACK	TPU	---
8	1	LABEL YELLOW	VINYL	---
7	-	CABLE	SEE SHEET 2	---
6	-	OVERMOULDING TRANSPARENT	TPU	---
5	1	PCB PNP	---	---
4	1	COUPLING NUT FEMALE SW13	BRASS	NICKEL
3	1	ORING RED	FPM	---
2	1	INSERT 4P FEMALE BLACK	PUR	---
1	4	CONTACT M12 FEMALE	BRASS	SELECTIVE GOLD OVER NICKEL

### CONTACTS POSITION FRONT VIEW:



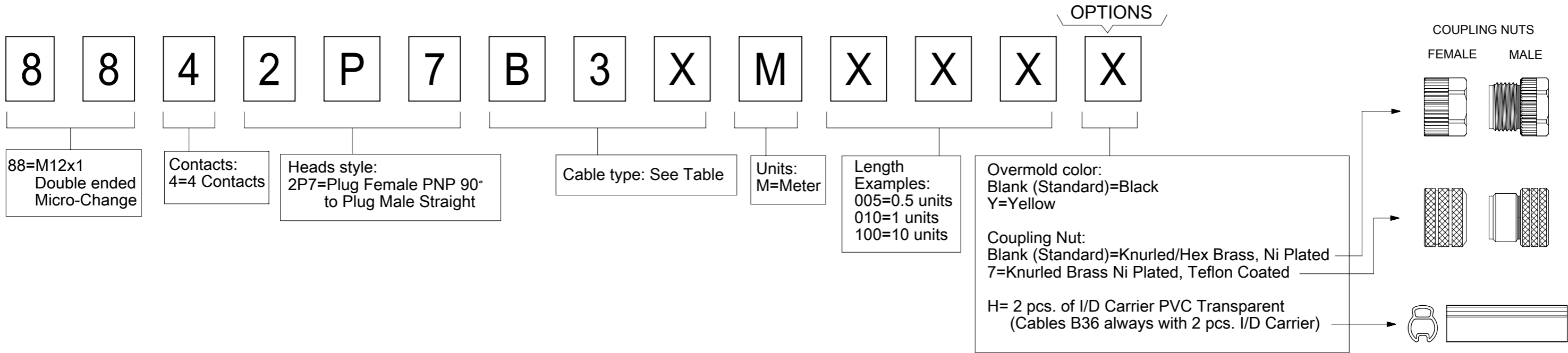
### NOTES:

CURRENT RATING: 4A  
 VOLTAGE RATING: 10 - 30 VDC  
 PROTECTION CLASS: IP 67  
 TEMPERATURE: -25°C / +85°C

THIS DRAWING CONTAINS INFORMATION THAT IS PROPRIETARY TO MOLEX ELECTRONIC TECHNOLOGIES, LLC AND SHOULD NOT BE USED WITHOUT WRITTEN PERMISSION

QUALITY SYMBOLS	2016/10/20	2016/10/24	GENERAL TOLERANCES (UNLESS SPECIFIED)	DIMENSION UNITS	SCALE	
FA = 0	DRWN: AKONDRACIUK	CHK'D: MIWASIECZKO	ANGULAR TOL ± °	MM	1:1	
FE = 0	EC NO: 109617	APP: MIWASIECZKO	4 PLACES ±	AKONDRACIUK	2016/10/20	
FB = 0			3 PLACES ±	CHK'D BY	DATE	
FC = 0			2 PLACES ±	MIWASIECZKO	2016/10/24	PRODUCT CUSTOMER DRAWING SERIES: 120067 MATERIAL NUMBER: SEE SHEAT 2 CUSTOMER:
FD = 0			1 PLACE ±	DRAWING SIZE	THIRD ANGLE PROJECTION	
FE = 0			0 PLACES ±	A3		DOCUMENT NUMBER: 1200678502 DOC TYPE: PSD DOC PART: 00P SHEET NUMBER: 1 OF 2
FF = 0			DRAFT WHERE APPLICABLE MUST REMAIN WITHIN DIMENSIONS			

ENGINEERING NO. - NUMERICAL CODE (Available parts see PART LIST table. Other parts available upon request).



CABLE INFORMATION (for more information see Cable Data Sheet).

CABLE TYPE	NO. OF WIRES	CROSS SECTION	CABLE JACKET	UL	CSA	STATIC: TEMP. / BENDING RADIUS	DYNAMIC: TEMP. / BENDING RADIUS	DRAG CHAIN: TEMP. / BENDING RADIUS	DRAG CHAIN	CABLE PRODUCT SPECIFICATION	CABLE SPEC. DRAWING	OTHER INFORMATION
B30	4	0.34mm <sup>2</sup>	TPU Based, Black	UL 21215/758	C22.2 I/II A/B 80°/600V	-40°C to +90°C >5xO.D.	-25°C to +80°C >7.5xO.D.	-5°C to +60°C >7.5xO.D.	up to 5 000 000 cycles at temp 20°C	1552200001	SD-120209-001	WSOR
B36	4	0.34mm <sup>2</sup>	TPU Based, Orange									

PART LIST

No.	MOLEX PN	ENGINEERING No	CABLE LENGTH
1	1200678502	8842P7B30M020	2m
2	1200678503	8842P7B30M050	5m
3	1200678504	8842P7B30M100	10m
4			
5			
6			
7			
8			
9			
10			

CABLE LENGTH TOLERANCES

LENGTH	TOLERANCE	
shorter than 1m	+40 mm	0 mm
1m-5m	+60 mm	0 mm
5m-10m	+80 mm	0 mm
10m-20m	+140 mm	0 mm
20m-30m	+160 mm	0 mm
longer than 30m	+1% length	0 mm

<p>QUALITY SYMBOLS</p> <p>FA = 0</p> <p>FE = 0</p> <p>FB = 0</p> <p>FV = 0</p> <p>FC = 0</p> <p>FX = 0</p> <p>FS = 0</p> <p>FT = 0</p>	THIS DRAWING CONTAINS INFORMATION THAT IS PROPRIETARY TO MOLEX ELECTRONIC TECHNOLOGIES, LLC AND SHOULD NOT BE USED WITHOUT WRITTEN PERMISSION									
	EC NO: 109617 DRWN: AKONDRACIUK CHK'D: MIWASIECZKO	2016/10/20 2016/10/24	GENERAL TOLERANCES (UNLESS SPECIFIED)		DIMENSION UNITS	SCALE				
			ANGULAR TOL ± °		MM	1:1				
	4 PLACES ±		AKONDRACIUK	2016/10/20	CSE M12 PNP 4P AC FE RA WSOR MA STR 2M					
	3 PLACES ±		CHK'D BY	DATE	PRODUCT CUSTOMER DRAWING					
	2 PLACES ±		APPR BY	DATE	SERIES	MATERIAL NUMBER	CUSTOMER			
	1 PLACE ±		MIWASIECZKO	2016/10/24	120067	SEE PART LIST				
	0 PLACES ±		DRAWING SIZE	THIRD ANGLE PROJECTION	DOCUMENT NUMBER		DOC TYPE	DOC PART	SHEET NUMBER	
	DRAFT WHERE APPLICABLE MUST REMAIN WITHIN DIMENSIONS		A3		1200678502		PSD	00P	2 OF 2	