

**PLEASE CHECK WWW.MOLEX.COM FOR LATEST PART INFORMATION**

**Part Number:** [0638134200](#)  
**Status:** **Active**  
**Overview:** [Application Tooling](#)  
**Description:** Extractor Tool for 5-Way Male Housing

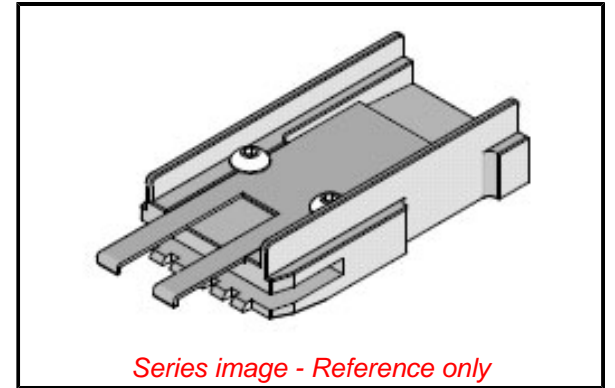
**Documents:**  
[RoHS Certificate of Compliance \(PDF\)](#)

**General**

Product Family	Application Tooling
Series	<a href="#">207121</a>
Comments	See Tooling Specification (PDF) Above, See Tooling Specification (PDF) Above
Function	Extraction
Geographic Area	Global
Level of Automation	Manual
More Detailed Tech Information	<a href="mailto:applicationtooling@molex.com">applicationtooling@molex.com</a>
Overview	<a href="#">Application Tooling</a>
Product Name	N/A
Tool Type	Extraction Hand Tool
UPC	884982002944
Warranty Disclaimer	CAUTION: Molex tooling crimp specifications are valid only when used with Molex terminals and tooling manufactured by Molex and sold by Molex or authorized distributors ("Molex Tooling"). When using tooling other than Molex Tooling with Molex specific connector systems listed in our ATS documents, the Molex tooling qualification does not apply and the responsibility for full qualification of the connector system is that of the customer. Molex accepts no liability for connector performance or tooling support where tooling other than Molex Tooling is used or where Molex Tooling is modified.

**Material Info**

**Reference - Drawing Numbers**  
Application Tooling Documents [ATS-638134200](#)



**EU ELV**

**Not Relevant**

**EU RoHS**

**Not Reviewed**

**REACH SVHC**

Not Reviewed

**Halogen-Free**

**Status**

**Not Relevant**

For more information, please visit [Contact US](#)

China ROHS

Not Relevant

ELV

Not Relevant

RoHS Phthalates

Not Reviewed

**Search Parts in this Series**

[207121](#) Series

**Use With**

[98781](#) 5-Way Shunt Male Housing (5 Circuits)

**Application Tooling** | **FAQ**

Description	Product #
-------------	-----------

PIN HSG SHNT SHORT VER GRN 5CKT	<a href="#">987810013</a>
---------------------------------	---------------------------

PIN HSG SHNT SHORT VER BLU 5CKT	<a href="#">987810014</a>
---------------------------------	---------------------------

NSCC Pin Connector	<a href="#">987811001</a>
--------------------	---------------------------

3.33mm Pitch,

1.50mm Shorting

Bar, Long , 5 Circuit,

Black

NSCC Pin Connector	<a href="#">987811002</a>
--------------------	---------------------------

3.33m Pitch,

1.50mm, Shorting

Bar, Long, 5 Circuit,

White

NSCC Pin Connector	<a href="#">987811003</a>
--------------------	---------------------------

3.33mm Pitch,

1.50mm, Shorting  
Bar, Long, 5 Circuit,  
Green  
NSCC Pin 987811004  
Connector, 3.33mm  
Pitch, 1.50mm,  
Shorting Bar, Long, 5  
Circuit, Blue  
NSCC Pin Connector987811013  
3.33mm Pitch,  
1.50mm, Shorting  
Bar, Short,, 5 Circuit,  
Green  
NSCC Pin Connector987811014  
3.33mm Pitch,  
1.50mm, Shorting  
Bar, Short, 5 Circuit,  
Blue

This document was generated on 06/05/2019

**PLEASE CHECK [WWW.MOLEX.COM](http://WWW.MOLEX.COM) FOR LATEST PART INFORMATION**