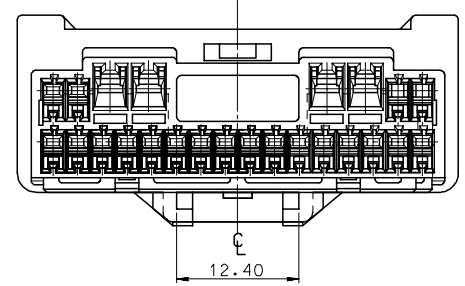
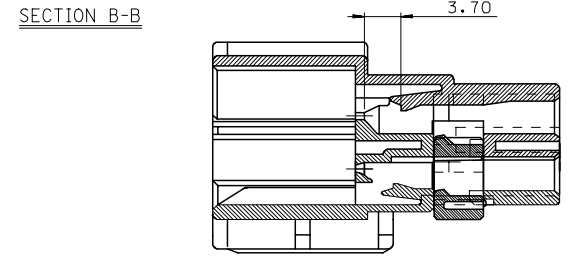
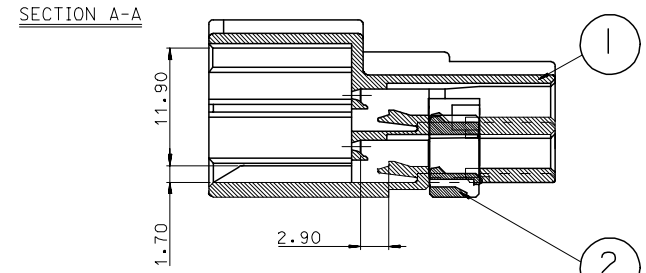
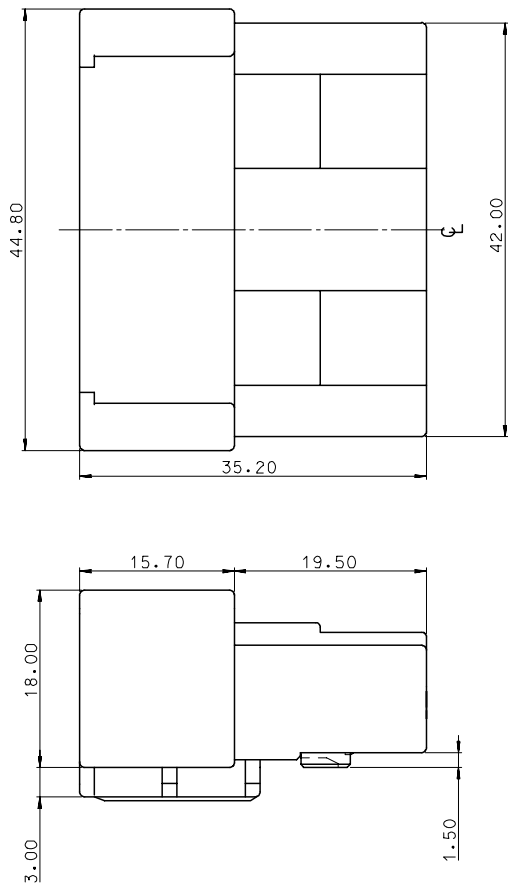
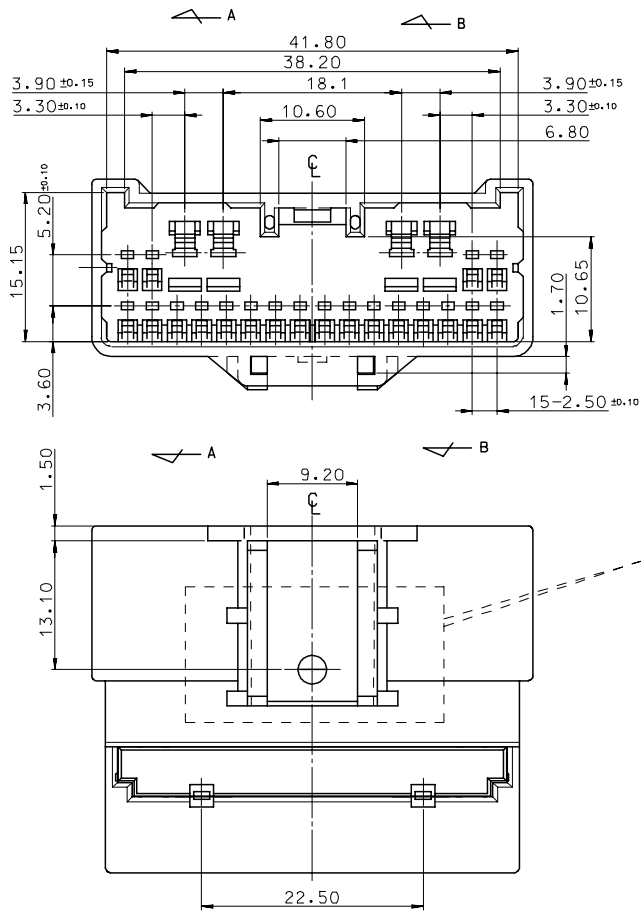


NO.	PART NO.	PART NAME	MATERIAL	REMARK
I-1	35897-2490	.040/090 M/HSG 24P	POLYESTER	WHITE
I-2	35897-2491	.040/090 M/HSG 24P	POLYESTER	BLACK
I-3	35897-2495	.040/090 M/HSG 24P	POLYESTER	GRAY
2	35897-2483	.040/090 MALE TPA 24P	POLYESTER	YELLOW



NOTE
 1. MATERIAL & FINISH: SEE TABLE
 2. APPLICATION: .040/090 FEMALE HOUSING ASS'Y 24P(ENG. NO.:35896-2410)

3	358972415	35897-2415
2	358972411	35897-2411
1	358972410	35897-2410
NO.	MATERIAL NO.	ENG. NO.

REVISED EC NO: KOR2007-0048 DRW: ECKIM 2007/03/07 CHK: B.C. YOON 2007/03/07 APPR: YUNSIKKIM 2007/03/23	QUALITY SYMBOLS	GENERAL TOLERANCES (UNLESS SPECIFIED)	DIMENSION STYLE	SCALE	DESIGN UNITS	THIRD ANGLE PROJECTION																	
	$\nabla=0$ $\nabla C=0$	<table border="1"> <thead> <tr> <th></th> <th>mm</th> <th>INCH</th> </tr> </thead> <tbody> <tr> <td>4 PLACES</td> <td>\pm ---</td> <td>\pm ---</td> </tr> <tr> <td>3 PLACES</td> <td>\pm ---</td> <td>\pm ---</td> </tr> <tr> <td>2 PLACES</td> <td>\pm 0.2</td> <td>\pm ---</td> </tr> <tr> <td>1 PLACE</td> <td>\pm 0.3</td> <td>\pm ---</td> </tr> <tr> <td colspan="3">ANGULAR \pm 1 °</td> </tr> </tbody> </table>		mm	INCH		4 PLACES	\pm ---	\pm ---	3 PLACES	\pm ---	\pm ---	2 PLACES	\pm 0.2	\pm ---	1 PLACE	\pm 0.3	\pm ---	ANGULAR \pm 1 °			MM ONLY	2:1
		mm	INCH																				
	4 PLACES	\pm ---	\pm ---																				
3 PLACES	\pm ---	\pm ---																					
2 PLACES	\pm 0.2	\pm ---																					
1 PLACE	\pm 0.3	\pm ---																					
ANGULAR \pm 1 °																							
DESCRIPTION	DRAWN BY	DATE	TITLE	.040/090 MALE HSG ASS'Y 24P																			
REV	HC.RHO	00/06/08																					
	CHECKED BY	DATE		MOLEX INCORPORATED																			
	BK.CHOI	00/06/08																					
	APPROVED BY	DATE		SD-35897-002																			
	CW.LEE	00/06/08																					
	MATERIAL NO.	DOCUMENT NO.		SHEET NO. 1 OF 01																			
	DRAFT WHERE APPLICABLE MUST REMAIN WITHIN DIMENSIONS			SEE TABLE																			
	THIS DRAWING CONTAINS INFORMATION THAT IS PROPRIETARY TO MOLEX INCORPORATED AND SHOULD NOT BE USED WITHOUT WRITTEN PERMISSION																						