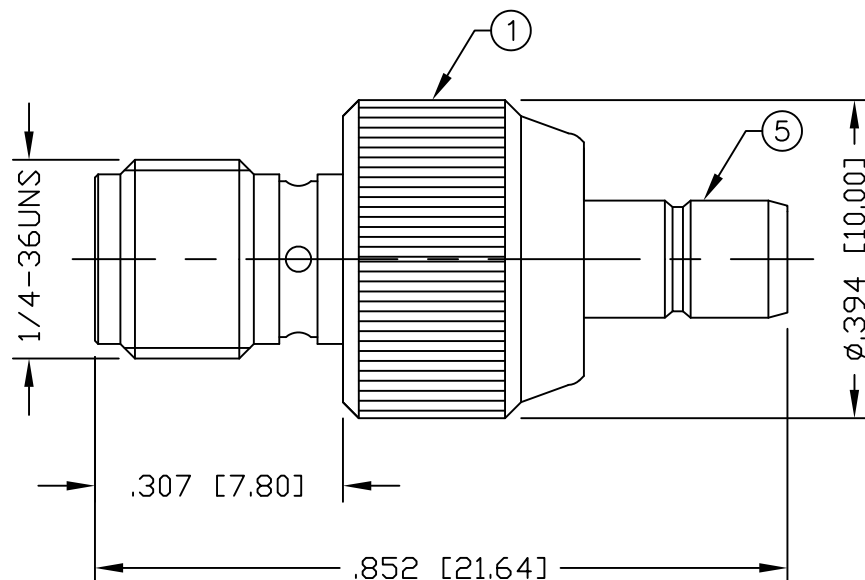


PART NO.

RSA-3406

REV	DESCRIPTION	DWN	DATE	APPROVED
A	CHANGE DIMENSIONS THROUGHOUT / UPDATED DWG & SPECS	CZS	04/04/14	JDMc

SPECIFICATIONS:

IMPEDANCE: 50 Ohms
 FREQUENCY: 0-4 Ghz
 INSULATION RESISTANCE: 5k M Ohms min.
 TEMPERATURE RANGE: -65°C TO 165°C
 RoHS COMPLIANT

#	DESCRIPTION	QTY	MATERIAL	FINISH
5	SMB BODY	1	BRASS	NICKEL, 100 μ "
4	INSULATOR	1	PTFE	---
3	CONTACT	1	Be.Cu.	GOLD, 50 μ "
2	INSULATOR	1	PTFE	---
1	BODY	1	BRASS	NICKEL, 100 μ "

CUSTOMER
OUTLINE DRAWINGALL DIMENSIONS
ARE REFERENCE ONLYUNLESS OTHERWISE SPECIFIED:
DIMENSIONS ARE IN INCHES
AND [MILLIMETERS]

DRAWN	C. ZUNIGA	04/04/14
CHECKED		
ORJ DRAWN	C. ZUNIGA	10/04/00

PROPRIETARY AND CONFIDENTIAL
 THIS DRAWING CONTAINS
 INFORMATION PROPRIETARY TO
 RF INDUSTRIES, ANY
 UNAUTHORIZED USE OF THIS
 DRAWING IS EXPRESSLY
 PROHIBITED WITHOUT WRITTEN
 PERMISSION FROM RF
 INDUSTRIES. ANY VIOLATION IS
 PUNISHABLE UNDER U.S.
 COPYRIGHT LAWS.

RFconnectors
 DIVISION OF RF INDUSTRIES, LTD.

7610 MIRAMAR RD.
 SAN DIEGO, CA 92126
 (858) 549-6340
 (858) 549-6345 FAX

SMA JACK TO SMB JACK ADAPTER

SIZE	CABLE GROUP	DWG NO.	REV
A	N/A	RSA-3406	A
SCALE:	ENGINEERING ID:	SHEET 1 OF 1	
NTS	000000		