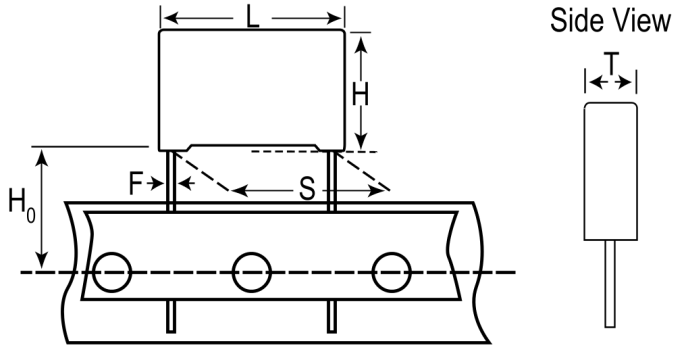


R76MD2180CK40J

Aliases (76MD2180CK40J)

R76, Film, Double Metallized Polypropylene, Automotive Grade, 0.018 uF, 5%, 400 VDC, 85°C, Lead Spacing = 7.5mm



Click [here](#) for the 3D model.

Dimensions

L	10mm +0.2/-0.5mm
H	10.5mm +0.1/-0.5mm
T	5mm +0.1/-0.5mm
S	7.5mm +/-0.4mm
H0	18.5mm +/-0.5mm
F	0.6mm +/-0.05mm

Packaging Specifications

Packaging	T&R
Packaging Quantity	1200

General Information

Series	R76
Dielectric	Double Metallized Polypropylene
Style	Radial
Features	Automotive Grade, Pulse
RoHS	Yes
Lead	Wire Leads
Qualifications	AEC-Q200
AEC-Q200	Yes

Specifications

Capacitance	0.018 uF
Capacitance Tolerance	5%
Voltage AC	250 VAC
Voltage DC	400 VDC
Temperature Range	-55/+110°C
Rated Temperature	85°C
Dissipation Factor	0.03% 1kHz, 0.04% 10kHz, 0.1% 100kHz
Insulation Resistance	100 GOhms
Max dV/dt	1700 V/us
Resistance	35.37 mOhms (100kHz)
Ripple Current	2.7 Amps (100kHz 85C), 31 Amps (Peak)
Inductance	8 nH