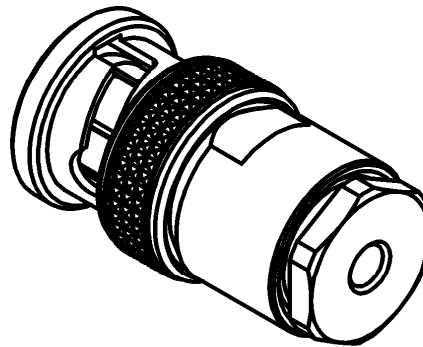
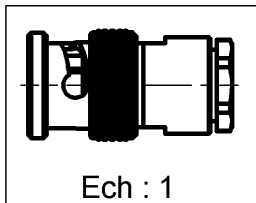
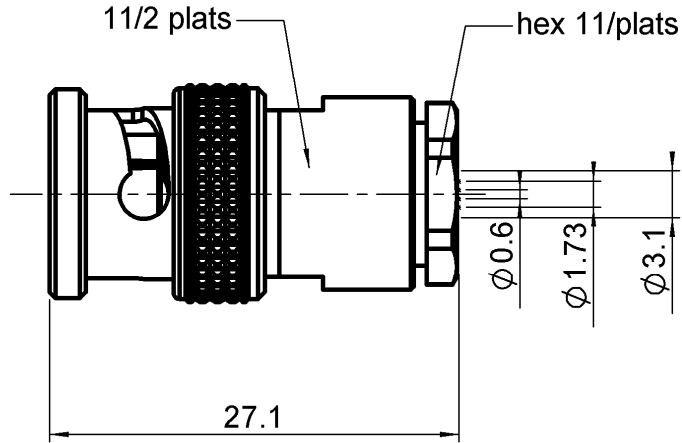


STRAIGHT PLUG CLAMP TYPE

CABLE 2.6/50+75

R141.004.000

Series : BNC



All dimensions are in mm.



COMPONENTS	MATERIALS	PLATING (µm)
BODY	BRASS	NICKEL 2
CENTER CONTACT	BRASS	GOLD 0.5 OVER NICKEL 2
OUTER CONTACT	-	-
INSULATOR	PTFE	-
GASKET	SILICONE RUBBER	-
OTHERS PARTS	BRASS	NICKEL 2
-	-	-
-	-	-

Issue : 0324 M

In the effort to improve our products, we reserve the right to make changes judged to be necessary.



STRAIGHT PLUG CLAMP TYPE

R141.004.000

CABLE 2.6/50+75

Series : **BNC**

PACKAGING

Standard	Unit	Other
100	'W' option	Contact us

SPECIFICATION

QAE 06-02 - -

ELECTRICAL CHARACTERISTICS

Impedance		50 Ω
Frequency		0-4 GHz
VSWR	1.3 +	0,0000 x F(GHz) Maxi
Insertion loss		0.115 √F(GHz) dB Maxi
RF leakage	- (57 - F(GHz)) dB Maxi
Voltage rating		500 Veff Maxi
Dielectric withstanding voltage		1500 Veff mini
Insulation resistance		5000 MΩ mini

CABLE ASSEMBLY

Stripping	a	b	c	d	e	f
mm	4,00	2,00	9,00	2,00	5,00	0,00

Assembly instruction :

Clamp 01

Recommended cable(s)

RG 316

RG 188

RG 187

RG 179

KX 22A

Characteristics indicated on this data sheet are those that can be achieved with the highest performance cable. Intrinsic limitations of the cable may diminish the performance of the assembly

Cable retention

- pull off

110 N mini

- torque

NA N.cm

MECHANICAL CHARACTERISTICS

Center contact retention

Axial force – Mating end **27.2** N mini

Axial force – Opposite end **27.2** N mini

Torque **NA** N.cm mini

Recommended torque

Mating **NA** N.cm

Panel nut **NA** N.cm

Clamp nut **450** N.cm

A/F clamp nut **11,0000** mm

Mating life

500 Cycles mini

Weight

19,0300 g

TOOLING

Part Number	Description	Hexagon
.	.	.

OTHER CHARACTERISTICS

-

ENVIRONMENTAL

Operating temperature **-65/+165** °C

Hermetic seal **NA** Atm.cm3/s

Panel leakage **NA**

Issue : **0324 M**

In the effort to improve our products, we reserve the right to make changes judged to be necessary.

