

- No OF PAIRS (PER ROW)**  
-016, -032, -048, -064, \*-080
- LEAD STYLE**  
-05.75 (SEE NOTE 9)  
-06.75 (SEE FIG 1)  
\*\*-09.75 (SEE FIG 4, SHEET 6)
- PLATING SPECIFICATION**  
-H: 30μ" GOLD IN CONTACT AREA, 3μ" GOLD ON TAIL. (AVAILABLE ON -05.75 & -06.75 LEAD STYLE ONLY)  
-L: 10μ" GOLD IN CONTACT AREA, MATTE TIN ON TAIL. (AVAILABLE ON -05.75 & -06.75 LEAD STYLE ONLY)  
-S: 30μ" GOLD IN CONTACT AREA, MATTE TIN ON TAIL. (AVAILABLE ON -09.75 LEAD STYLE ONLY)  
-SL: 10μ" GOLD IN CONTACT AREA, MATTE TIN ON TAIL. (AVAILABLE ON -09.75 LEAD STYLE ONLY)
- ROW SPECIFICATION**  
-D: DOUBLE  
-DP: DIFFERENTIAL PAIRS
- OPTION**  
-A: ALIGNMENT PIN
- PACKAGING OPTION**  
-TR: TAPE & REEL (-016 THRU -048 WITH NO OPTIONS)  
(-016 & -032 WITH -GP, -PXX, -RF1, -RT1)  
(-016 WITH -RF2)
- OPTION**  
-GP: GUIDE POSTS (SEE FIG 3, SHEET 2)  
-K: KAPTON PAD (SEE FIG 2, SHEET 2)  
-PC4: POWER COMBO 4 (.062" THICK BOARD) (SEE FIG 5, SHEET 3)  
-PC8: POWER COMBO 8 (.062" THICK BOARD) (SEE FIG 5, SHEET 3)  
-PT4: POWER COMBO 4 (.093" THICK BOARD) (5.75 STACKER HEIGHT) (SEE FIG 5, SHEET 3)  
-PT8: POWER COMBO 8 (.093" THICK BOARD) (SEE FIG 5, SHEET 3)  
-RF1: 1 RF POS PER END (SEE FIG 6, SHEET 4)  
-RF2: 2 RF POS PER END (SEE FIG 7, SHEET 4)  
-RT1: 1 RT POS PER END (SEE FIG 8, SHEET 5)

**\*\* = NOT TOOLED**  
**\*\* = SEE NOTE 10**  
**\*\*\* = NOT RELEASED**

**(END OPTION APPLIES TO BOTH ENDS. COMBINATIONS ARE NOT AVAILABLE)**  
**(-PXX & -RFX NOT AVAILABLE IN COMBINATION WITH -A, -GP, OR -K)**  
**(-PXX & -RFX AVAILABLE IN POS -016, -032, & -048 ONLY)**  
**(-RFX & -RT1 AVAILABLE IN -05.75 LEAD STYLE ONLY)**  
**(-RT1 AVAILABLE IN POS -016, -032, \*\*\* -048 & \*\*\* -064 WITH -A OPTION ONLY)**

TABLE 5

LEAD STYLE	"H"	"J"	"P"	QMS BODY	QMS STACKER BODY	TERMINAL	GROUND PLANE	MATED TO QFS-XX-XX
-05.75	.212 [5.38]	.2268 [5.761]	.085 [2.16]	QMSS-26-05.75-D-XX-A	N/A	T-1M19-05.75-XX	T-1G19-05.75-L	QFS-04.25 QFS-06.25
-06.75	.250 [6.35]	.2650 [6.731]	.125 [3.18]	QMSS-26-06.75-D-XX-A	N/A	T-1M19-06.75-XX	T-1G19-06.75-L	QFS-04.25 QFS-06.25
-09.75	.368 [9.35]	.3830 [9.728]	.085 [2.16]	QMSS-26-05.75-D-XX	QTSH-26-01-D-XX-A	T-1M19-09.75-XX	T-1G19-09.75-L	QFS-04.25 QFS-06.25

TABLE 1

No OF POSITIONS	No OF BANKS	COPLANARITY
-016 THRU -048	1 THRU 3	.004[.10]
-064 AND *-080	4 AND 5	.006[.15]

\* = NOT TOOLED

- NOTES:
- ⊕ REPRESENTS A CRITICAL DIMENSION.
  - MAXIMUM BURR ALLOWANCE: .0015[0.038]
  - MINIMUM PUSHOUT FORCE: SIGNAL: .5 LB, GROUND: 1 LB, POWER: .5 LB, RF: .5 LB.
  - ALL TERMINALS ON THE -05.75 & -06.75 LEAD STYLES WILL BE SHEARED.
  - MAXIMUM VARIANCE: .002[0.05]
  - DIMENSION APPLIES TO CONTACTS & GROUND PLANE.
  - GROUND PLANE PRESS HEIGHT MUST BE .003[0.08] LESS THAN THE MAX HEIGHT OR .001[0.03] GREATER THAN THE MINIMUM HEIGHT OF THE TERMINALS.
  - PARTS TO BE PACKAGED IN TRAYS
  - LEAD STYLES -10 AND -11 MAY BE SUBSTITUTED IN PART CALLOUT FOR -05.75 AND -06.75 ACCORDINGLY FOR EXISTING CUSTOMERS ONLY.
  - 09.75 LEAD STYLE -048 AND -064 POSITION AVAILABLE TO EXISTING CUSTOMERS ONLY.

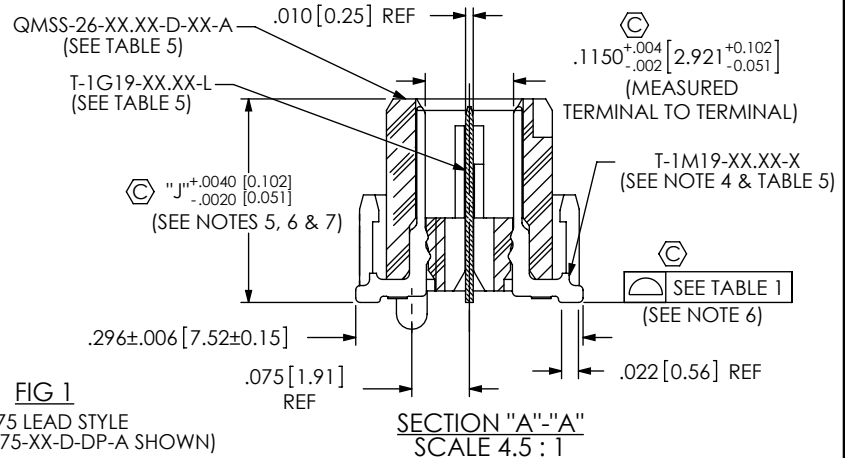


FIG 1  
-06.75 LEAD STYLE  
(QMS-032-06.75-XX-D-DP-A SHOWN)

<p>UNLESS OTHERWISE SPECIFIED, DIMENSIONS ARE IN INCHES.</p> <p>TOLERANCES ARE:</p> <p>DECIMALS      ANGLES</p> <p>.XX: ±.01[0.3]</p> <p>.XXX: ±.005[0.13]</p> <p>.XXXX: ±.0020[0.051]</p>	<p><b>PROPRIETARY NOTE</b></p> <p>THIS DOCUMENT CONTAINS CONFIDENTIAL AND PROPRIETARY INFORMATION AND ALL DESIGN, MANUFACTURING, REPRODUCTION, USE, PATENT RIGHTS AND SALES RIGHTS ARE EXPRESSLY RESERVED BY SAMTEC, INC. THIS DOCUMENT SHALL NOT BE DISCLOSED, IN WHOLE OR PART, TO ANY UNAUTHORIZED PERSON OR ENTITY NOR REPRODUCED, TRANSFERRED OR INCORPORATED IN ANY OTHER PROJECT IN ANY MANNER WITHOUT THE EXPRESS WRITTEN CONSENT OF SAMTEC, INC.</p>	<p>520 PARK EAST BLVD, NEW ALBANY, IN 47150 PHONE: 812-944-6733    FAX: 812-948-5047 e-Mail: info@SAMTEC.com    code: 55322</p>

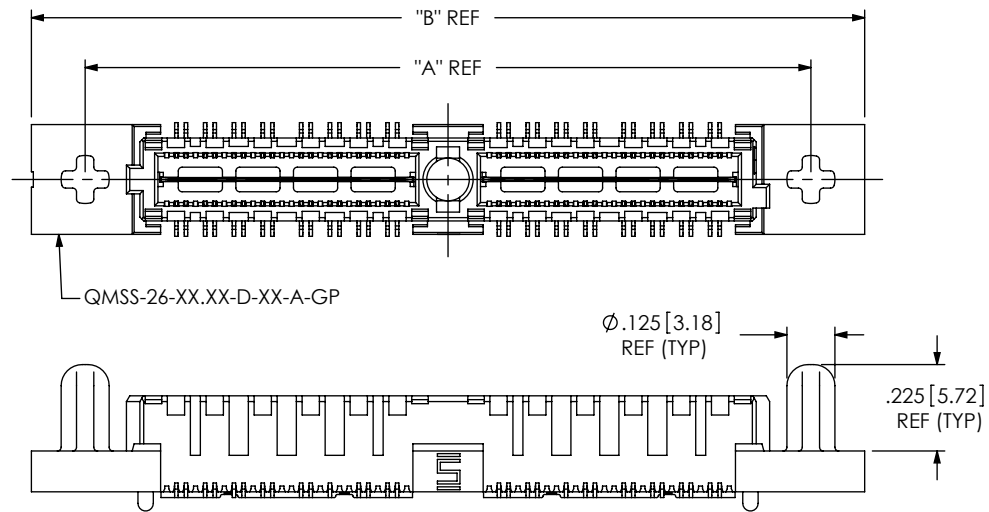
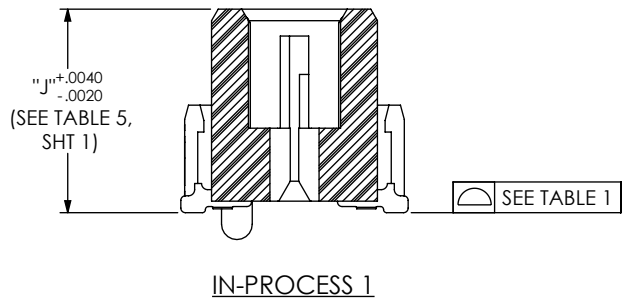


FIG 3  
-GP: GUIDE POST OPTION  
(QMS-032-06.75-XX-D-DP-A-GP SHOWN)  
(AVAILABLE ON -.05.75 & -.06.75 LEAD STYLES ONLY)

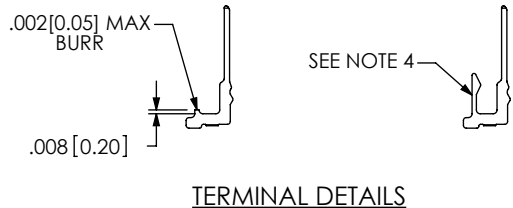


TABLE 2

ASSEMBLY	"A"	"B"
QMS-016-XX.XX-XX-D-DP-A-GP	1.050 [26.67]	1.330 [33.78]
QMS-032-XX.XX-XX-D-DP-A-GP	1.890 [48.00]	2.170 [55.12]
QMS-048-XX.XX-XX-D-DP-A-GP	2.730 [69.34]	3.010 [76.45]
QMS-064-XX.XX-XX-D-DP-A-GP	3.570 [90.68]	3.850 [97.79]
*QMS-080-XX.XX-XX-D-DP-A-GP	4.410 [112.01]	4.690 [119.13]

\* = NOT TOOLED

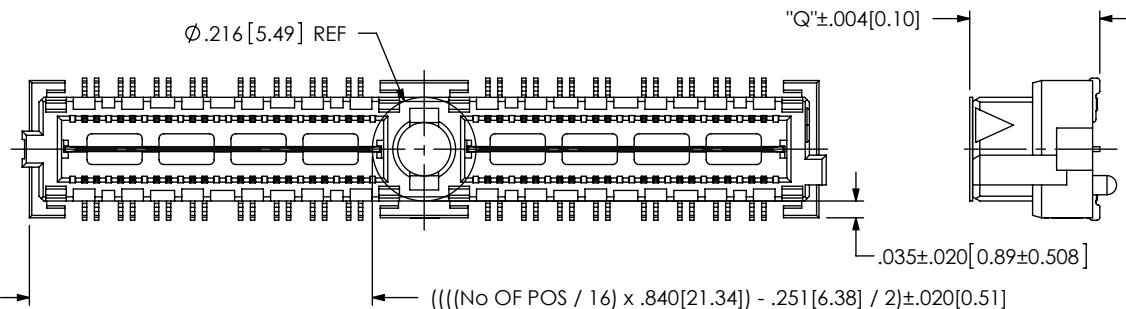


FIG 2  
-K: KAPTON PAD OPTION  
(USE K-500-300)  
(USE K-DOT-.217-.313-.005 FOR -GP OPTION, NOT APPROVED FOR VISION INTEGRATED KAPTON APPLICATION)  
(QMS-032-06.75-XX-D-DP-A-K SHOWN)

TABLE 9

LEAD STYLE	"Q"
-.05.75	.233 [5.91]
-.06.75	.271 [6.88]

PROPRIETARY NOTE  
THIS DOCUMENT CONTAINS CONFIDENTIAL AND PROPRIETARY INFORMATION AND ALL DESIGN, MANUFACTURING, REPRODUCTION, USE, PATENT RIGHTS AND SALES RIGHTS ARE EXPRESSLY RESERVED BY SAMTEC, INC. THIS DOCUMENT SHALL NOT BE DISCLOSED, IN WHOLE OR PART, TO ANY UNAUTHORIZED PERSON OR ENTITY NOR REPRODUCED, TRANSFERRED OR INCORPORATED IN ANY OTHER PROJECT IN ANY MANNER WITHOUT THE EXPRESS WRITTEN CONSENT OF SAMTEC, INC.

DO NOT SCALE DRAWING

SHEET SCALE: 1:0.4



520 PARK EAST BLVD, NEW ALBANY, IN 47150  
PHONE: 812-944-6733 FAX: 812-948-5047  
e-Mail: info@SAMTEC.com code: 55322

DESCRIPTION:  
.635mm DIFFERENTIAL PAIRS TERMINAL STRIP

DWG. NO.  
QMS-XXX-XX.XX-XX-D-DP-X-XXX-XX

BY: BRATCHER 10/12/2010 SHEET 2 OF 6

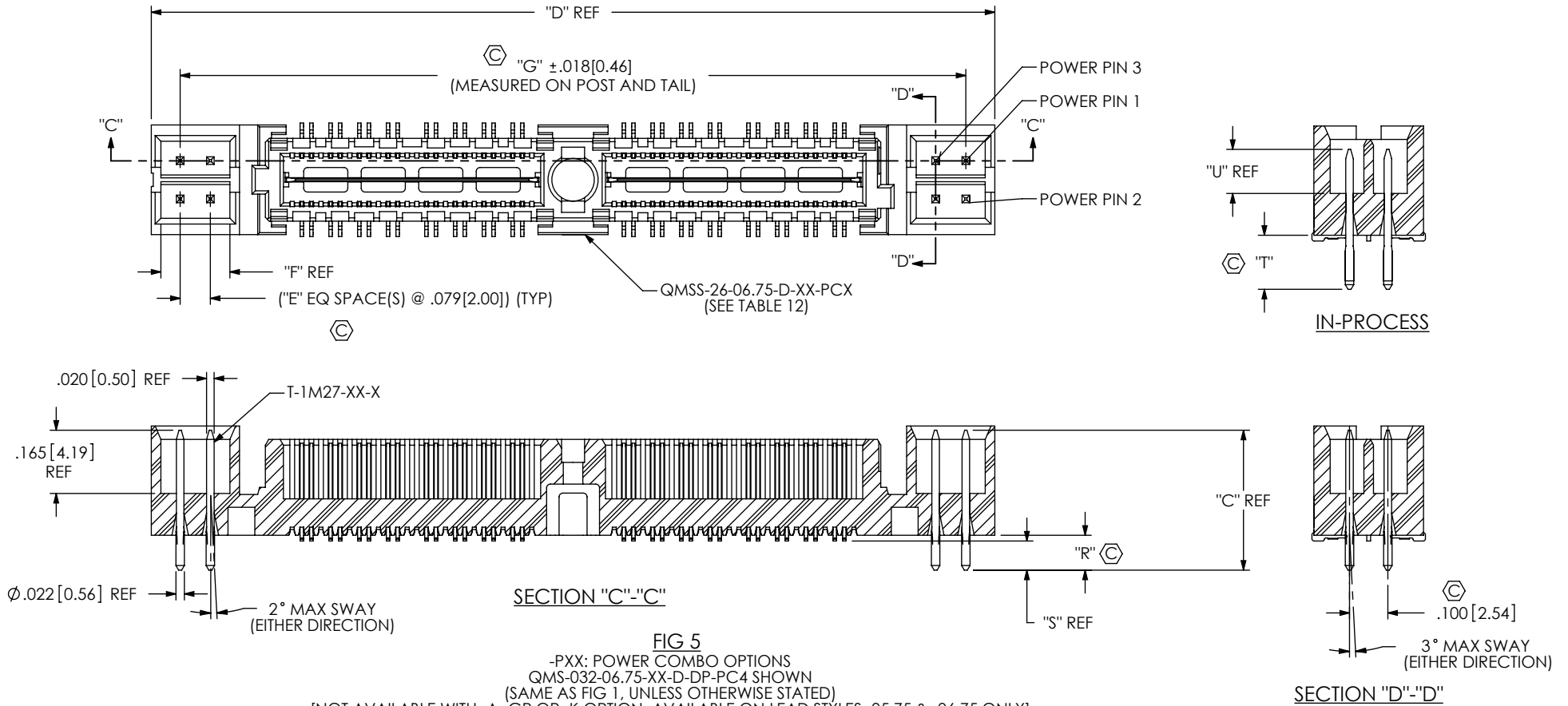


FIG 5  
 -PXX: POWER COMBO OPTIONS  
 QMS-032-06.75-XX-D-DP-PC4 SHOWN  
 (SAME AS FIG 1, UNLESS OTHERWISE STATED)  
 [NOT AVAILABLE WITH -A,-GP OR -K OPTION, AVAILABLE ON LEAD STYLES -05.75 & -06.75 ONLY]  
 (AVAILABLE ON -016, -032 & -048 POSITIONS ONLY)

ASSEMBLY	"D"	"E"	"F"	"G"
QMS-016-XX.XX-XX-D-DP-X-PX4	1.360[34.54]	1	.180[4.57]	1.209[30.71]
QMS-016-XX.XX-XX-D-DP-X-PX8	1.675[42.55]	3	.337[8.56]	1.524[38.71]
QMS-032-XX.XX-XX-D-DP-X-PX4	2.200[55.88]	1	.180[4.57]	2.049[52.04]
QMS-032-XX.XX-XX-D-DP-X-PX8	2.515[63.88]	3	.337[8.56]	2.364[60.05]
QMS-048-XX.XX-XX-D-DP-X-PX4	3.040[77.22]	1	.180[4.57]	2.889[73.38]
QMS-048-XX.XX-XX-D-DP-X-PX8	3.355[85.22]	3	.337[8.56]	3.204[81.38]

LEAD STYLE	POWER OPTION	BODY
-06.75	PX4	QMSS-26-06.75-D-XX-PC4
-06.75	PX8	QMSS-26-06.75-D-XX-PC8
-05.75	PX4	QMSS-26-05.75-D-XX-PC4
-05.75	PX8	QMSS-26-05.75-D-XX-PC8

LEAD STYLE	POWER OPTION	TERMINAL	"C"	"R"	"S"	"T"	"U"
-06.75	PCX	T-1M27-01-S	.365[9.27]	.091[2.31]	.076[1.93]	.132[3.35]	.124[3.15]
-06.75	PTX	T-1M27-03-S	.400[10.16]	.126[3.20]	.111[2.82]	.132[3.35]	.159[4.04]
-05.75	PCX	T-1M27-02-S	.326[8.28]	.086[2.18]	.071[1.80]	.172[4.37]	.079[2.01]
-05.75	PTX	T-1M27-01-S	.365[9.27]	.125[3.18]	.110[2.79]	.172[4.37]	.118[3.00]

PROPRIETARY NOTE  
 THIS DOCUMENT CONTAINS CONFIDENTIAL AND PROPRIETARY INFORMATION AND ALL DESIGN, MANUFACTURING, REPRODUCTION, USE, PATENT RIGHTS AND SALES RIGHTS ARE EXPRESSLY RESERVED BY SAMTEC, INC. THIS DOCUMENT SHALL NOT BE DISCLOSED, IN WHOLE OR PART, TO ANY UNAUTHORIZED PERSON OR ENTITY NOR REPRODUCED, TRANSFERRED OR INCORPORATED IN ANY OTHER PROJECT IN ANY MANNER WITHOUT THE EXPRESS WRITTEN CONSENT OF SAMTEC, INC.

DO NOT SCALE DRAWING  
 SHEET SCALE: 1:0.4

520 PARK EAST BLVD, NEW ALBANY, IN 47150  
 PHONE: 812-944-6733 FAX: 812-948-5047  
 e-Mail: info@SAMTEC.com code: 55322

DESCRIPTION:  
 .635mm DIFFERENTIAL PAIRS TERMINAL STRIP

DWG. NO.  
 QMS-XXX-XX.XX-XX-D-DP-X-XXX-XX

BY: BRATCHER 10/12/2010 SHEET 3 OF 6

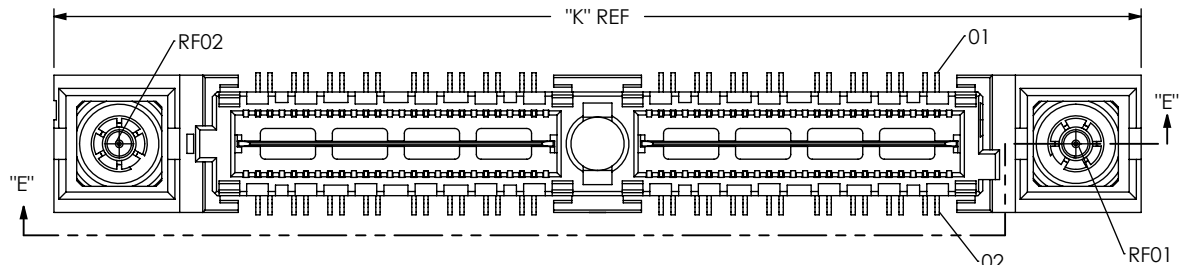
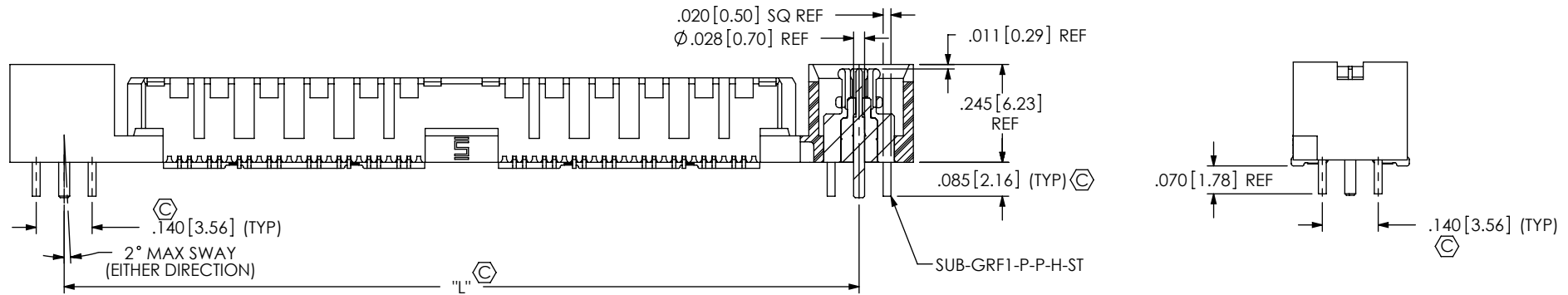


TABLE 7			
ASSEMBLY	BODY	"K"	"L"
QMS-016-05.75-XX-D-DP-RF1	QMSS-26-05.75-D-01-RF1	1.425[36.20]	1.153[29.29]
QMS-016-05.75-XX-D-DP-RF2	QMSS-26-05.75-D-01-RF2	1.925[48.90]	1.653[41.99]
QMS-032-05.75-XX-D-DP-RF1	QMSS-26-05.75-D-02-RF1	2.265[57.53]	1.993[50.62]
QMS-032-05.75-XX-D-DP-RF2	QMSS-26-05.75-D-02-RF2	2.765[70.23]	2.493[63.32]
QMS-048-05.75-XX-D-DP-RF1	QMSS-26-05.75-D-03-RF1	3.105[78.87]	2.833[71.96]
QMS-048-05.75-XX-D-DP-RF2	QMSS-26-05.75-D-03-RF2	3.605[91.57]	3.333[84.66]



SECTION "E"-"E"

FIG 6

-RF1: SINGLE RF PER END OPTION  
 QMS-032-05.75-XX-D-DP-RF1 SHOWN  
 (SAME AS FIG 1, UNLESS OTHERWISE STATED)  
 [NOT AVAILABLE WITH -A OR -GP OPTION, AVAILABLE ON LEAD STYLE -05.75 ONLY]  
 (AVAILABLE ON -016, -032 & -048 POSITIONS ONLY)

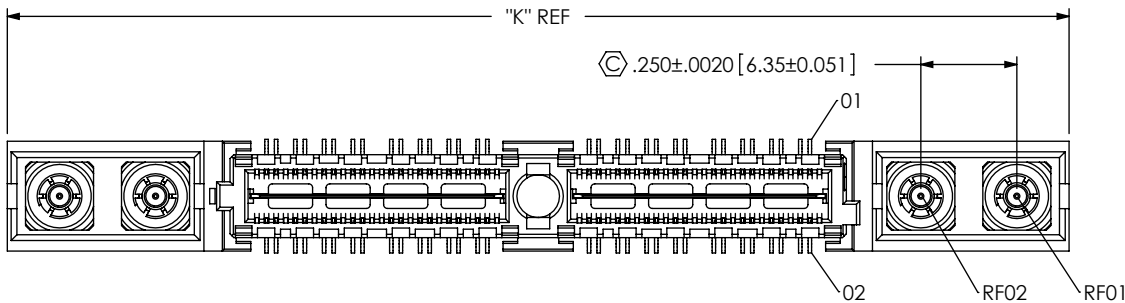
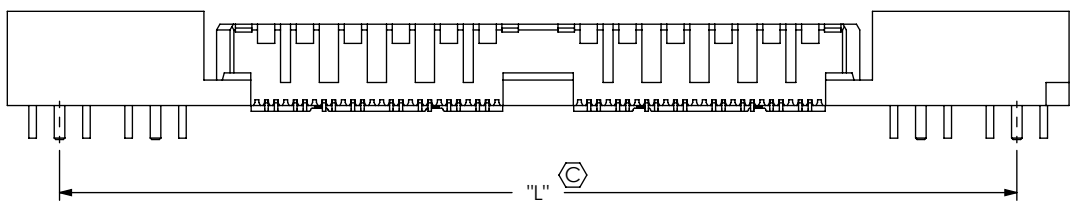


FIG 7

-RF2: DOUBLE RF PER END OPTION  
 QMS-032-05.75-XX-D-DP-RF2 SHOWN  
 (SAME AS FIG 6, UNLESS OTHERWISE STATED)  
 [NOT AVAILABLE WITH -A OR -GP OPTION, AVAILABLE ON LEAD STYLE -05.75 ONLY]  
 (AVAILABLE ON -016, -032 & -048 POSITIONS ONLY)



**PROPRIETARY NOTE**  
 THIS DOCUMENT CONTAINS CONFIDENTIAL AND PROPRIETARY INFORMATION AND ALL DESIGN, MANUFACTURING, REPRODUCTION, USE, PATENT RIGHTS AND SALES RIGHTS ARE EXPRESSLY RESERVED BY SAMTEC, INC. THIS DOCUMENT SHALL NOT BE DISCLOSED, IN WHOLE OR PART, TO ANY UNAUTHORIZED PERSON OR ENTITY NOR REPRODUCED, TRANSFERRED OR INCORPORATED IN ANY OTHER PROJECT IN ANY MANNER WITHOUT THE EXPRESS WRITTEN CONSENT OF SAMTEC, INC.

DO NOT SCALE DRAWING

SHEET SCALE: 1:0.4

520 PARK EAST BLVD, NEW ALBANY, IN 47150  
 PHONE: 812-944-6733 FAX: 812-948-5047  
 e-Mail: info@SAMTEC.com code: 5332

DESCRIPTION:  
 .635mm DIFFERENTIAL PAIRS TERMINAL STRIP

DWG. NO.  
 QMS-XXX-XX.XX-XX-D-DP-X-XXX-XX

BY: BRATCHER 10/12/2010 SHEET 4 OF 6

TABLE 8			
ASSEMBLY	BODY	"M"	"N"
QMS-016-05.75-XX-D-DP-A-RT1	QMSS-26-05.75-D-01-A-RT1	1.425[36.20]	1.153[29.29]
QMS-032-05.75-XX-D-DP-A-RT1	QMSS-26-05.75-D-02-A-RT1	2.265[57.53]	1.993[50.62]
*** QMS-048-05.75-XX-D-DP-A-RT1	QMSS-26-05.75-D-03-A-RT1	3.105[78.87]	2.833[71.96]
*** QMS-064-05.75-XX-D-DP-A-RT1	QMSS-26-05.75-D-04-A-RT1	3.945[100.20]	3.673[93.29]

\*\*\* = NOT RELEASED

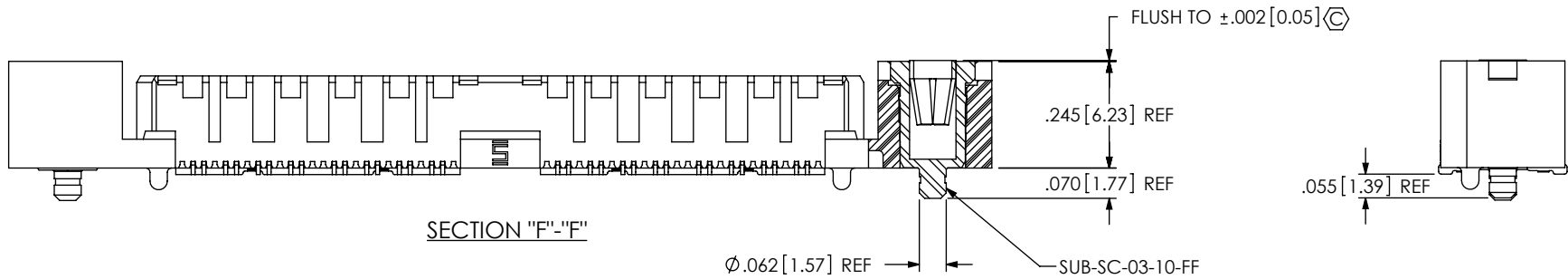
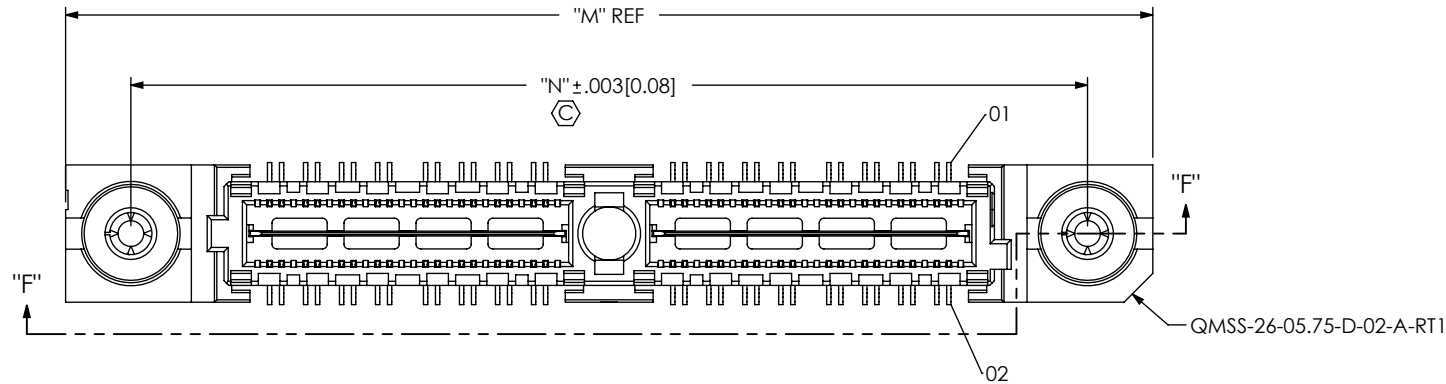
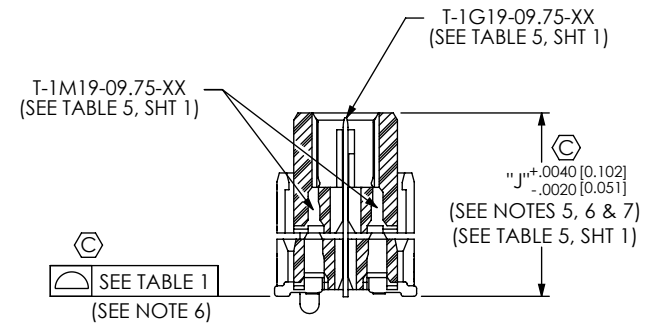
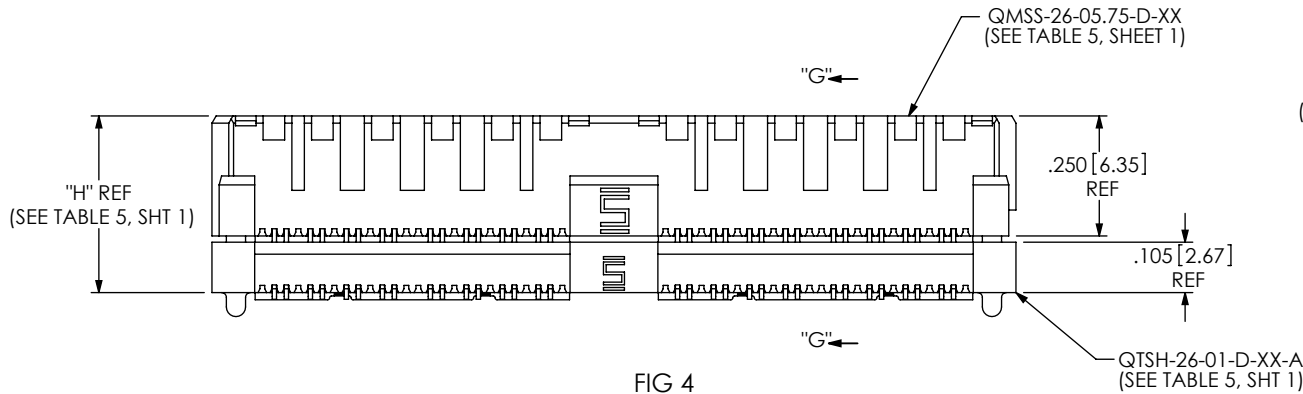
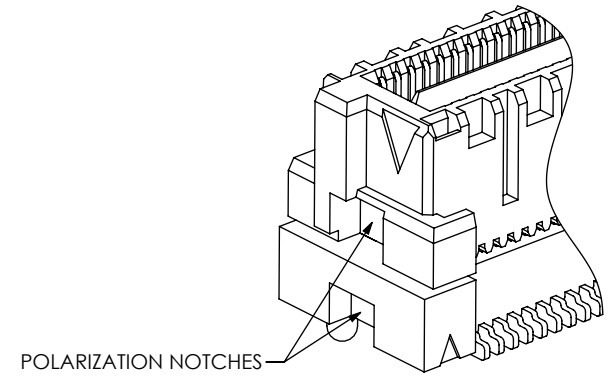
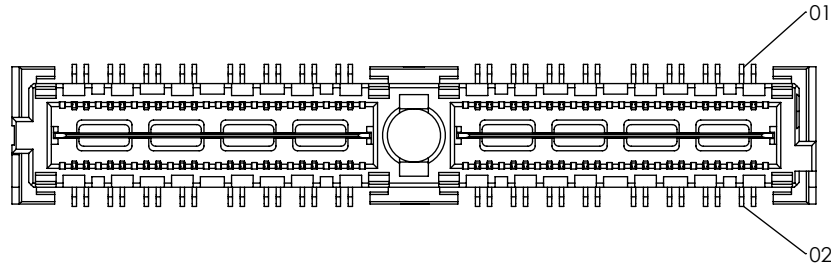


FIG 8

-RT1: RETENTION OPTION  
 QMS-032-05.75-XX-D-DP-A-RT1 SHOWN  
 (SAME AS FIG1, UNLESS OTHERWISE STATED)  
 [NOT AVAILABLE WITH -GP, -PCX OR -RFX OPTION, AVAILABLE ON LEAD STYLE -05.75 ONLY]  
 (AVAILABLE ON -016, -032, -048, & -064 POSITIONS WITH -A OPTION ONLY)

<p><b>PROPRIETARY NOTE</b></p> <p>THIS DOCUMENT CONTAINS CONFIDENTIAL AND PROPRIETARY INFORMATION AND ALL DESIGN, MANUFACTURING, REPRODUCTION, USE, PATENT RIGHTS AND SALES RIGHTS ARE EXPRESSLY RESERVED BY SAMTEC, INC. THIS DOCUMENT SHALL NOT BE DISCLOSED, IN WHOLE OR PART, TO ANY UNAUTHORIZED PERSON OR ENTITY NOR REPRODUCED, TRANSFERRED OR INCORPORATED IN ANY OTHER PROJECT IN ANY MANNER WITHOUT THE EXPRESS WRITTEN CONSENT OF SAMTEC, INC.</p> <p>DO NOT SCALE DRAWING</p> <p>SHEET SCALE: 1:0.4</p>		
	<p>520 PARK EAST BLVD, NEW ALBANY, IN 47150                  PHONE: 812-944-6733 FAX: 812-948-5047                  e-Mail: info@SAMTEC.com code: 55322</p>	
	<p>DESCRIPTION:                  .635mm DIFFERENTIAL PAIRS TERMINAL STRIP</p>	
	<p>DWG. NO.                  QMS-XXX-XX.XX-XX-D-DP-X-XXX-XX</p>	
<p>BY: BRATCHER 10/12/2010</p>		<p>SHEET 5 OF 6</p>



**FIG 4**  
 \*\*-.09.75 LEAD STYLE  
 (QMS-032-09.75-XX-D-DP-A SHOWN)  
 (SAME AS FIG 1, EXCEPT AS SHOWN)

**PROPRIETARY NOTE**  
 \* THIS DOCUMENT CONTAINS CONFIDENTIAL AND PROPRIETARY INFORMATION AND ALL DESIGN, MANUFACTURING, REPRODUCTION, USE, PATENT RIGHTS AND SALES RIGHTS ARE EXPRESSLY RESERVED BY SAMTEC, INC. THIS DOCUMENT SHALL NOT BE DISCLOSED, IN WHOLE OR PART, TO ANY UNAUTHORIZED PERSON OR ENTITY NOR REPRODUCED, TRANSFERRED OR INCORPORATED IN ANY OTHER PROJECT IN ANY MANNER WITHOUT THE EXPRESS WRITTEN CONSENT OF SAMTEC, INC.

DO NOT SCALE DRAWING

SHEET SCALE: 1:0.4



520 PARK EAST BLVD, NEW ALBANY, IN 47150  
 PHONE: 812-944-6733 FAX: 812-948-5047  
 e-Mail: info@SAMTEC.com code: 55322

DESCRIPTION: .635mm DIFFERENTIAL PAIRS TERMINAL STRIP
DWG. NO. QMS-XXX-XX.XX-XX-D-DP-X-XXX-XX
BY: BRATCHER 10/12/2010
SHEET 6 OF 6