



# BU Series (1c)

## Surface Mount Reed Relays

### Features

- Available in Axial, Gull wing and J Lead configurations.
- Tape and Reel packaging available.
- High reliability, hermetically sealed contacts for long life.
- High Insulation Resistance -  $10^9 \Omega$  minimum.
- Coaxial shield for  $50 \Omega$  impedance. Excellent for RF and Fast.
- Rise Time Pulse switching (up to 6 GHz).
- External Magnetic Shield.



### Order Code

BU-1C XX X  
a b c

a : Contact Form : 1C=1FormC  
 b : Nominal Coil Voltage : 03=3.3VDC, 05=5VDC  
 c : Nil=Standard Type, J=SMD J Model

### Coil Data-Standard Type (at 20°C )

| Part Number | Nominal Voltage<br>DC $\pm 10\%$ [V] | Coil Resistance<br>$\pm 10\%$ [ohm] | Max. Coil Voltage<br>(VDC) | Must Release Voltage MIN.<br>[V] at 20°C | Must Operate Voltage MAX.<br>[V] at 20°C |
|-------------|--------------------------------------|-------------------------------------|----------------------------|--|--|
| BU-1C03     | 3.3                                  | 70                                  | 4                          | 0.4                                      | 2.5                                      |
| BU-1C05     | 5                                    | 110                                 | 6                          | 0.4                                      | 3.8                                      |

### Contact Rating

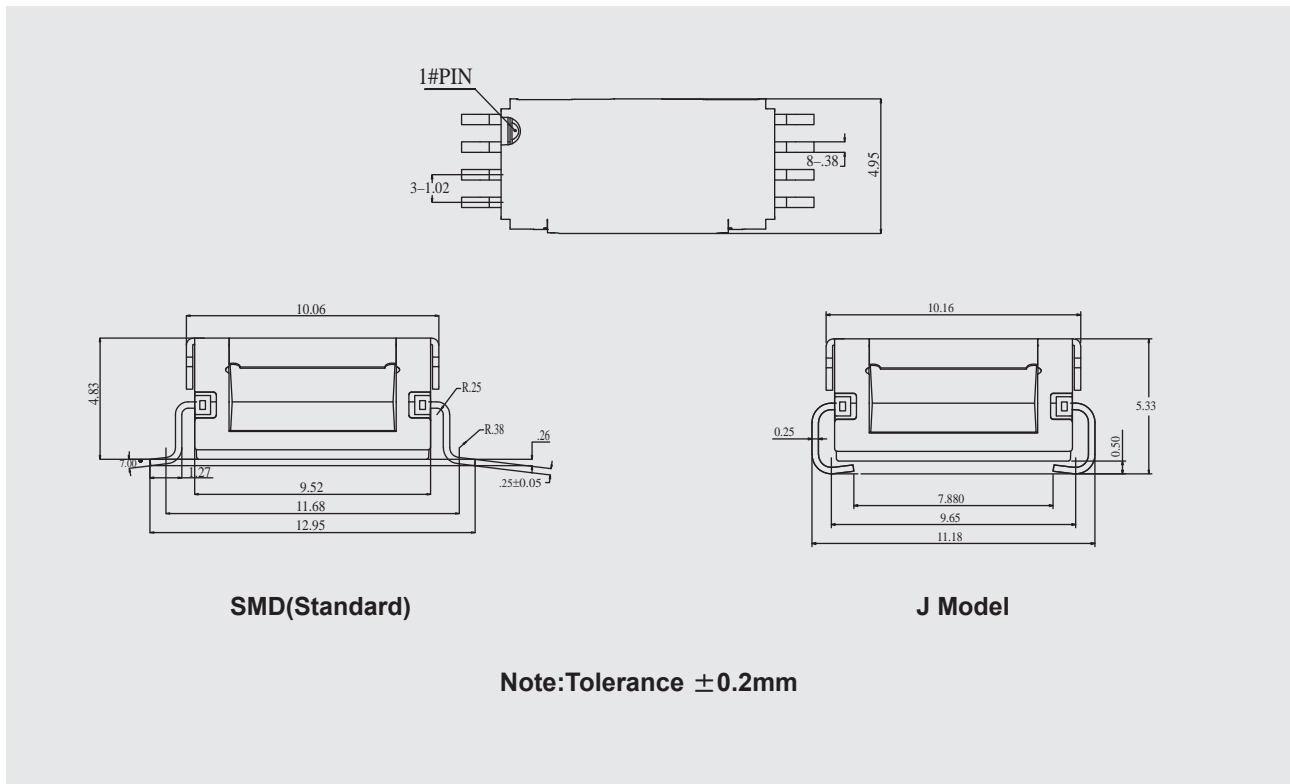
|  |                 |
|--|-----------------|
| Contact Form   | <b>1 Form C</b> |
| Contact Rating<br>MAX DC / Peak AC resistance        | 3W              |
| Switching Voltage<br>MAX DC / Peak AC resistance     | 30VDC           |
| Max.Switching Current<br>MAX DC / Peak AC resistance | 0.1A            |
| Max.Carry Current<br>MAX DC / Peak AC resistance     | 0.2A            |



### Specification

|                                       |   |                   |
|---------------------------------------|---|-------------------|
| Contact Form                          | <b>1 Form C</b>                                 |                   |
| Static Contact Resistance (Max.init)  | 200mΩ   |                   |
| Breakdown Voltage                     | Between contacts                                | 200VDC / peak AC  |
|                                       | Contacts to shield                              | 1000VDC / peak AC |
|                                       | Contacts / shield to coil                       | 1000VDC / peak AC |
| Insulation Resistance                 | 1x10 <sup>9</sup> Ω                             |                   |
| Capacitance-Typical                   | Open Contact 1.0pF                              |                   |
| Operate Time-including bounce-Typical | 0.3mS   |                   |
| Release Time                          | 0.3mS   |                   |
| Vibration                             | 20G's to 2000HZ                                 |                   |
| shock                                 | 50G's   |                   |
| Operating Temp                        | -20°C ~+85°C                                    |                   |
| Storage Temp                          | -35°C ~+100°C                                   |                   |
| Life Expectancy                       | Signal Level 1.0V, 10mA, 1x10 <sup>8</sup> Ops. |                   |

### Dimensions (Unit : mm)



### Wiring Diagrams (Top View)

