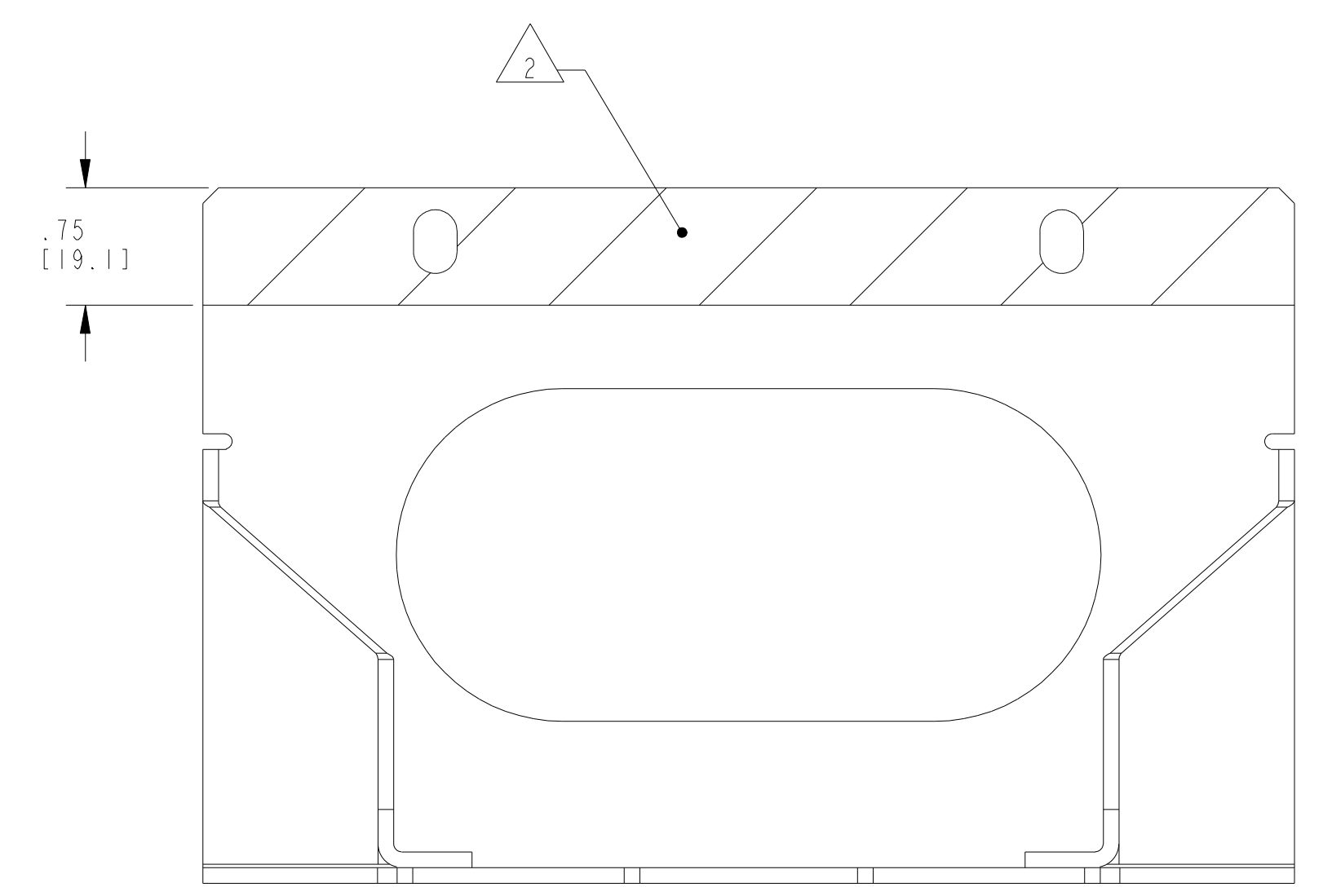
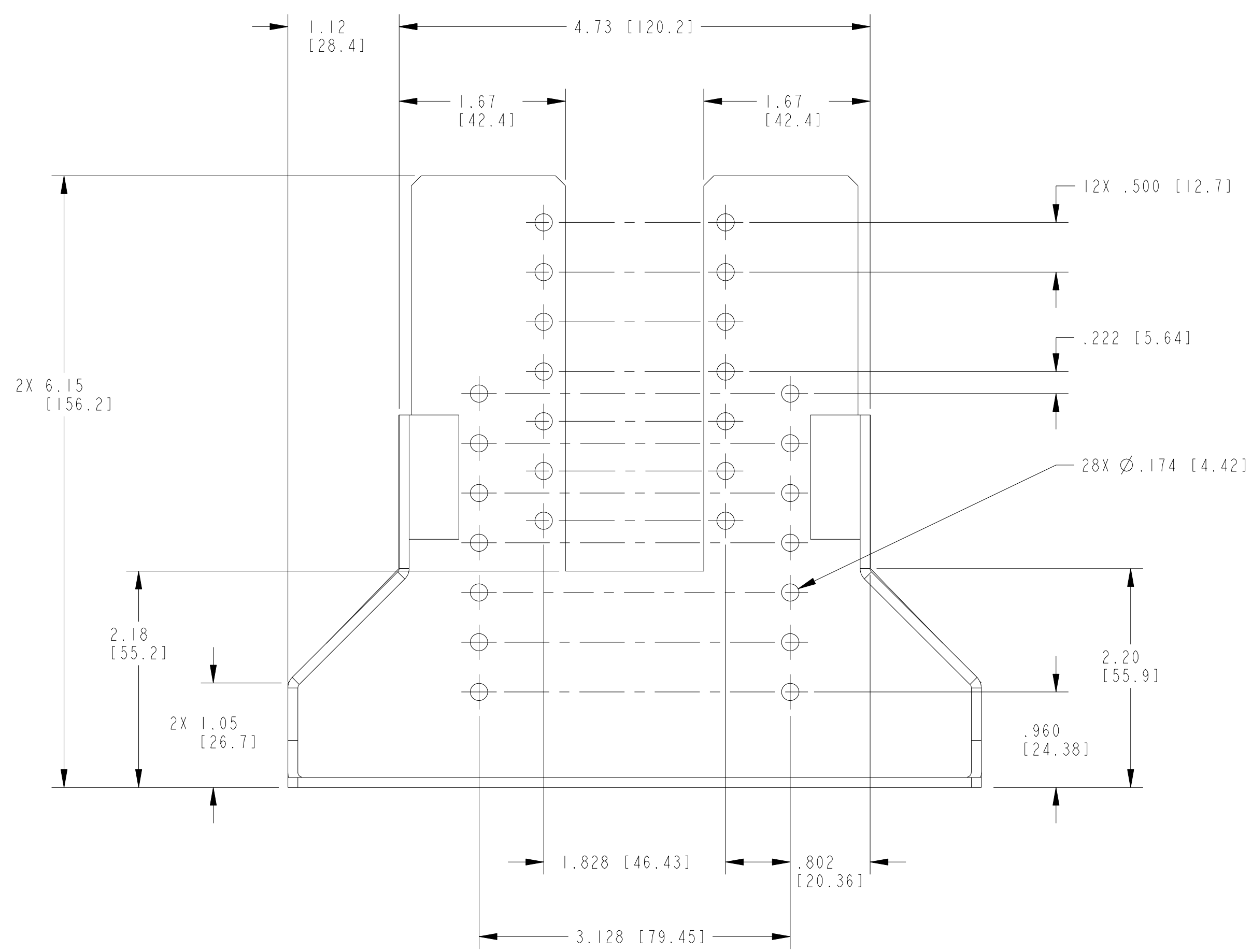


This document contains confidential and proprietary information which is the property of National Instruments Corporation. This proprietary information is supplied to the possessor pursuant to the possessor's agreement to do the following:

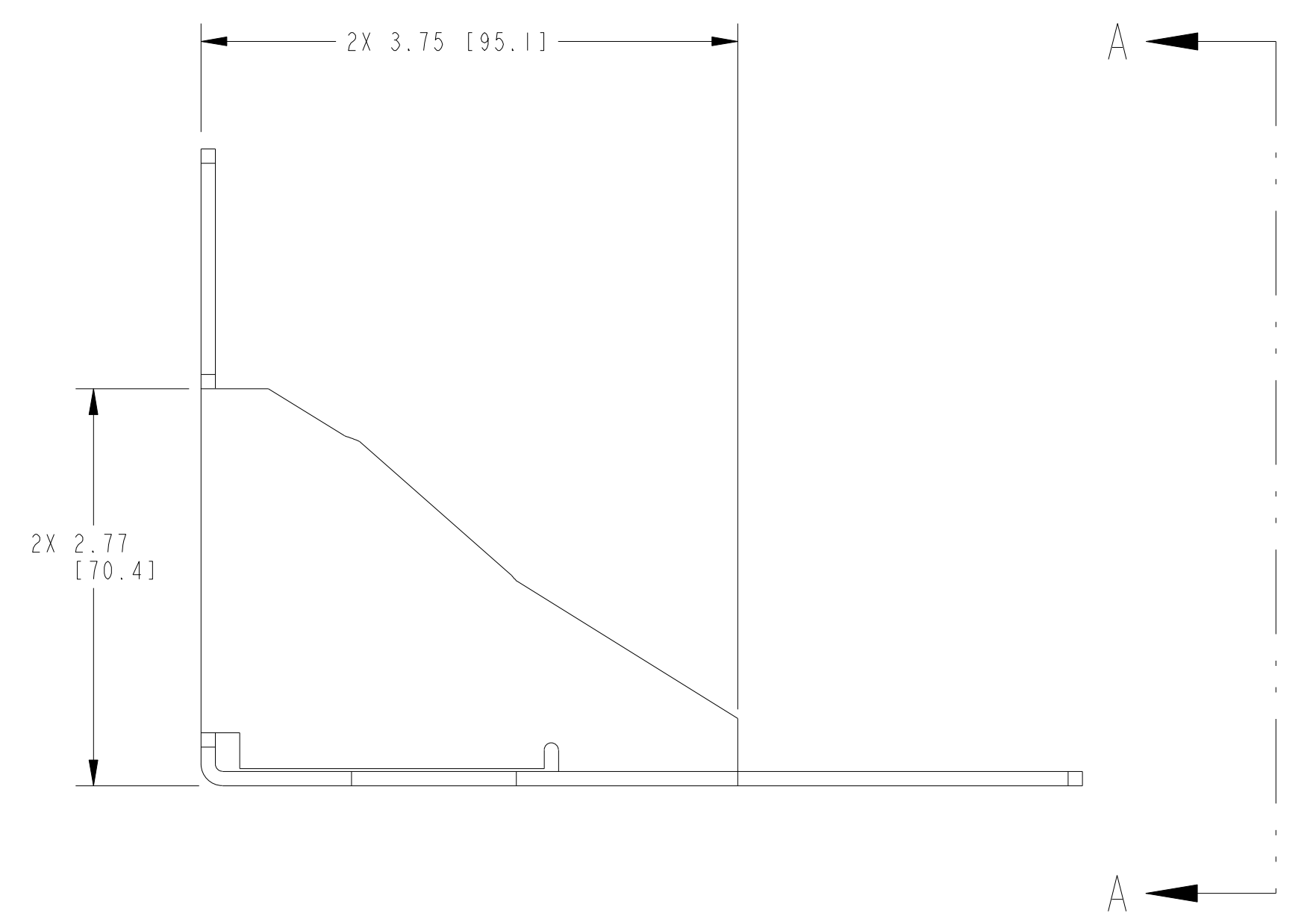
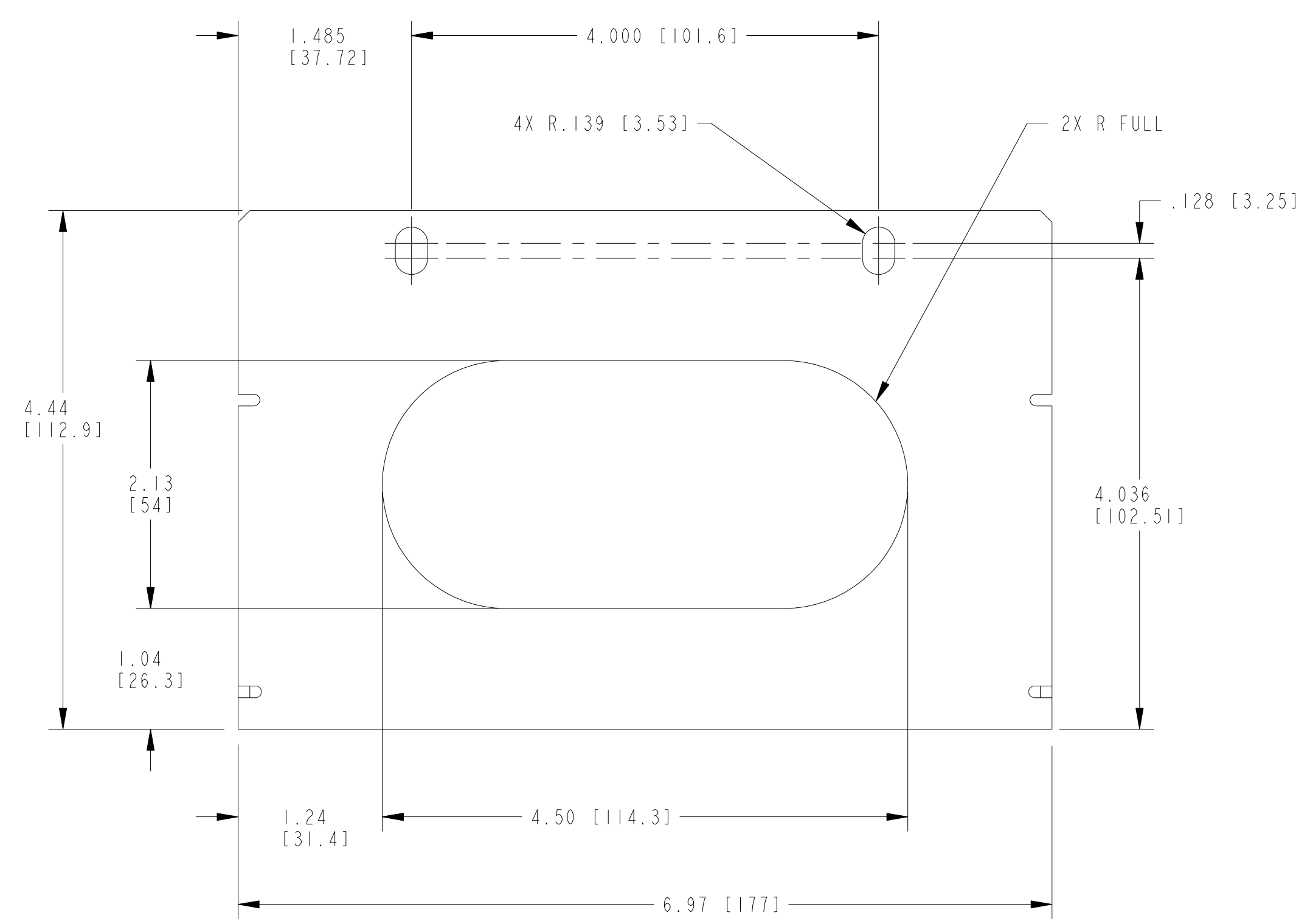
1. to maintain this document in confidence;
2. not to reproduce, publish or copy it in whole or in part without written permission; and
3. not to use this document as a basis for the manufacture or sale of goods without written permission.

© COPYRIGHT 2004  
NATIONAL INSTRUMENTS CORPORATION. ALL RIGHTS RESERVED.

REVISION HISTORY IS CONTROLLED IN AN ELECTRONIC DATABASE. CONTACT NI FOR REVISION DETAILS IF NEEDED.



SECTION A-A

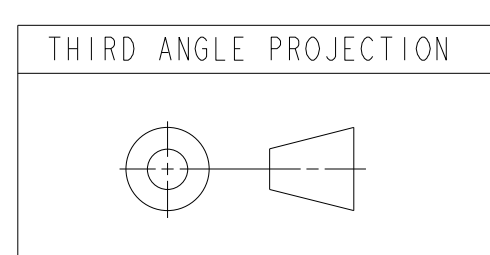


CUSTOMER DRAWING

2 HATCHED AREA SHALL BE KEPT FREE OF PAINT.

1. ALL SURFACES PAINTED NI WHITE PER NI SPECIFICATION 279900A-01.

NOTES: UNLESS OTHERWISE SPECIFIED.



UNLESS OTHERWISE SPECIFIED  
DIMENSIONS ARE IN INCHES AND  
[MILLIMETERS] TOLERANCES ARE:  
.XX [0.X] ± .02 [0.5] ANGLES:  
.XXX [0.XX] ± .010 [0.25] ± 2°  
DO NOT SCALE DRAWING

DESIGN TEAM	
DRAWN J. TALBOTT	6/01/04
CHECKER	
MECHANICAL ENGINEER B. BARTYZEL	

<b>NATIONAL INSTRUMENTS®</b> AUSTIN, TEXAS	
TITLE CUSTOMER DRAWING, BRACKET, RACK MOUNT, PXI-1031/1031DC	
SIZE [CODE IDENT NO.] DRAWING NO. D [7U296] CD_191123-01	REV 2
SCALE: 1/1	SHEET 1 OF 1

CD\_191123-01 2