

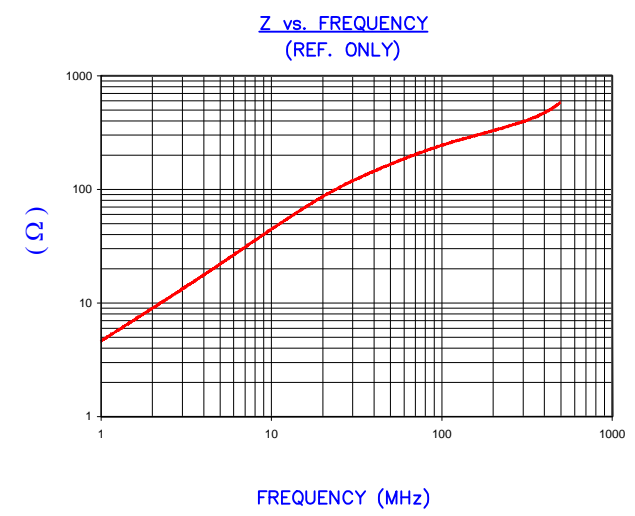
CORE DIMENSIONS:

A	9.96 [.392]	±	0.15 [.006]
B	3.51 [.138]	±	0.13 [.005]
C	20.00 [.787]	±	0.25 [.010]
D	4.54 [.179]	±	0.13 [.005]

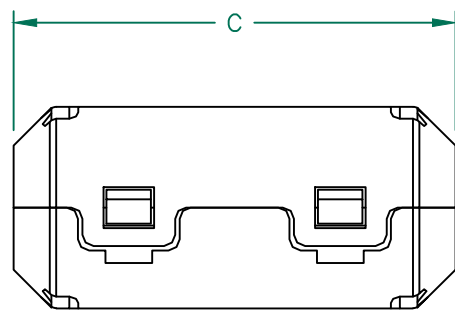
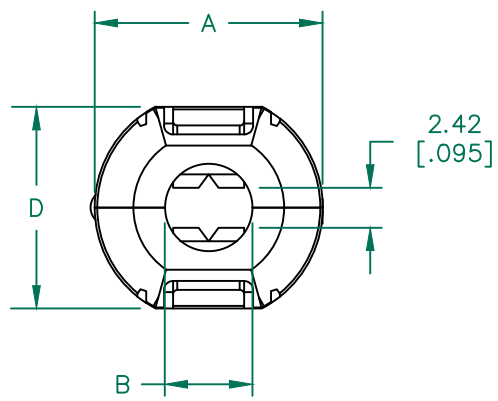
UNCONTROLLED DOCUMENT



IMPEDANCE (Z)			
Frequency	25 MHz	100 MHz	300 MHz
Nominal (REF)	100 Ω	240 Ω	400 Ω
Minimum	- Ω	192 Ω	- Ω



AGILENT E4991A Impedance/Material Analyzer
HP 16092A-Test Fixture REF 3399



CASE DIMENSIONS:

A	13.00 [.512]	±	1.00 [.039]
B	4.90 [.193]	±	1.00 [.039]
C	25.50 [1.004]	±	1.00 [.039]
D	11.70 [.460]	±	1.00 [.039]
E	2.42 [.095]	±	REF.

NOTES:

1. ASSEMBLED PART #: 28A0350-0B2.
2. CASE COLOR: BLACK-0B2.
3. CASE MATERIAL: DUPONT 101L PA66 NYLON OR EQUIVALENT MATERIAL.
4. FLAMMABILITY RATE: UL94 V-2.
5. COSMETIC SPECIFICATION REFER TO WI-QA-038.

DIMENSIONS ARE IN mm [INCHES].				This print is the property of Laird Tech. and is loaned in confidence subject to return upon request and with the understanding that no copies shall be made without the written consent of Laird Tech. All rights to design or invention are reserved.		Laird	
K	UPDATE COMPANY LOGO, ADD NOTE 5	08/21/14	QIU	PROJECT/PART NUMBER:		REV	DRAWN BY:
J	ADD NOTES 3 AND 4	06/28/12	Jcai	28A0350-0B2		K	JRK
H	UPDATED APPEARANCE AND DIMENSIONS TO REFLECT ACTUAL CASE PROFILE	10/28/10	JUN	DATE:	01/15/03	SCALE:	1.5 : 1
G	UPDATE CASE DIMENSION TOLERANCES UPDATE COMPANY LOGO	07/18/08	TMB	CAD #	28A0350-0B2-K	TOL #	-
F	UPDATE MIN Z SPEC @ 100 MHZ	04/17/07	TMB	MATERIAL:		FERRITE	
E	UPDATE COMPANY LOGO	04/17/07	TMB				
REV	DESCRIPTION	DATE	INT				