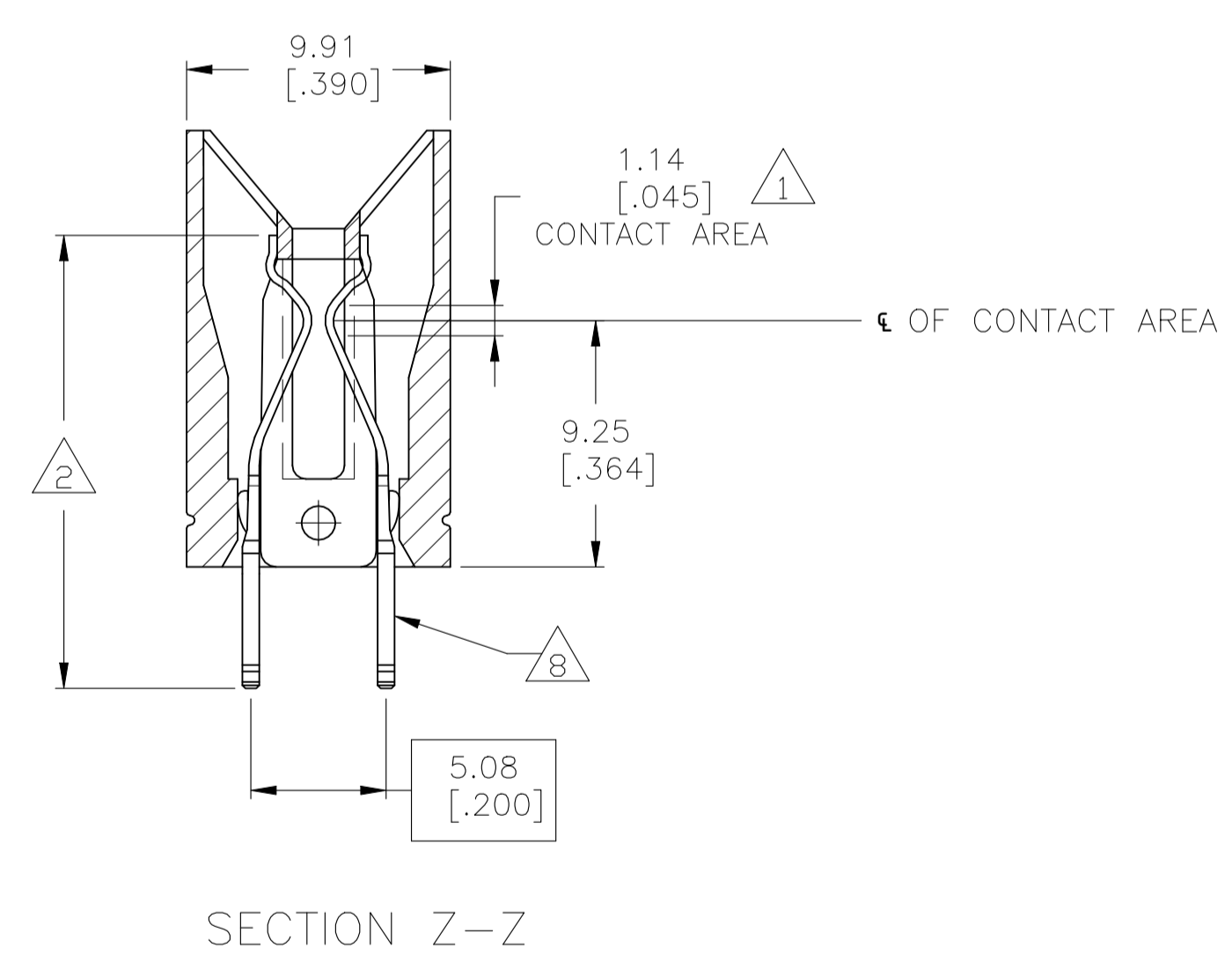
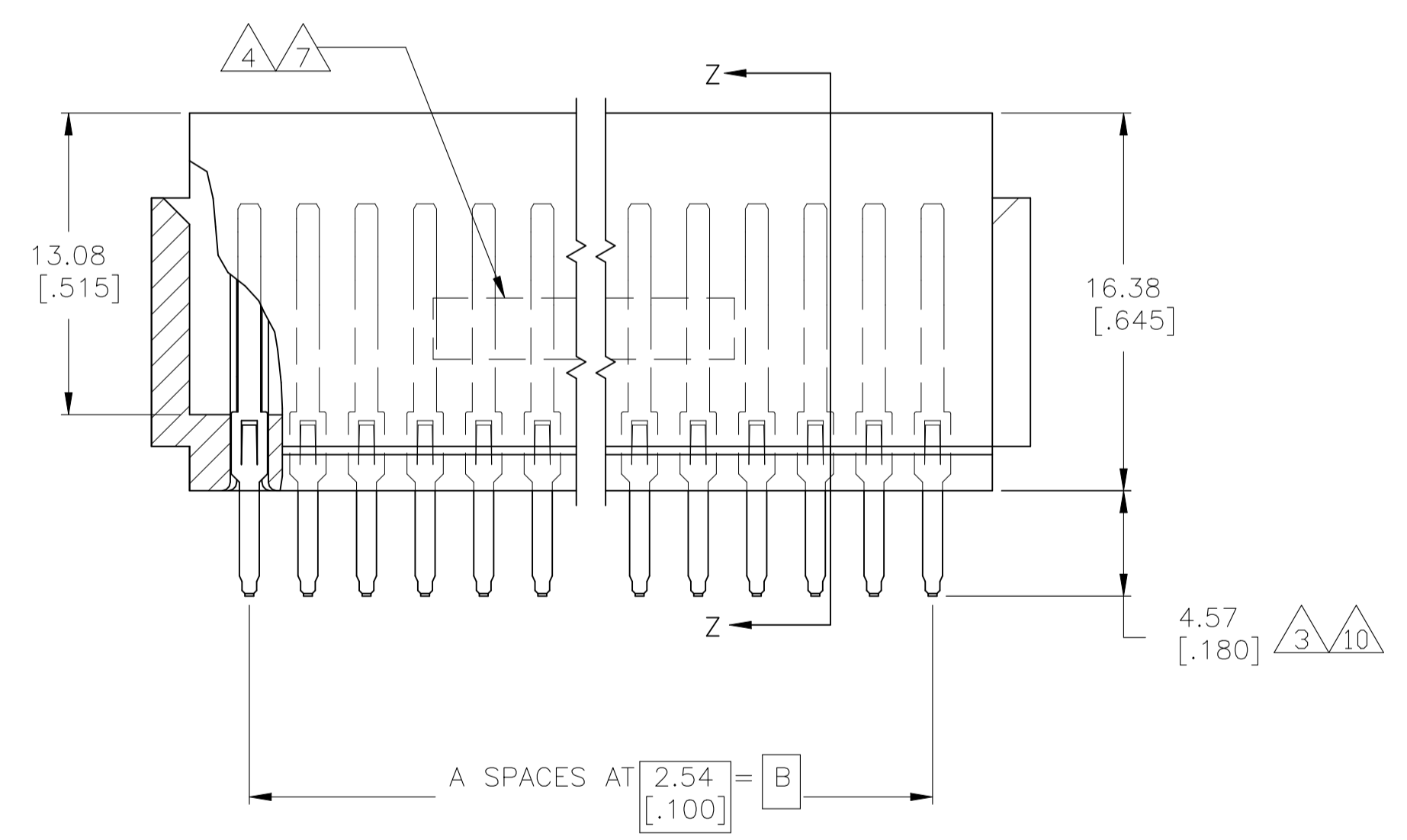
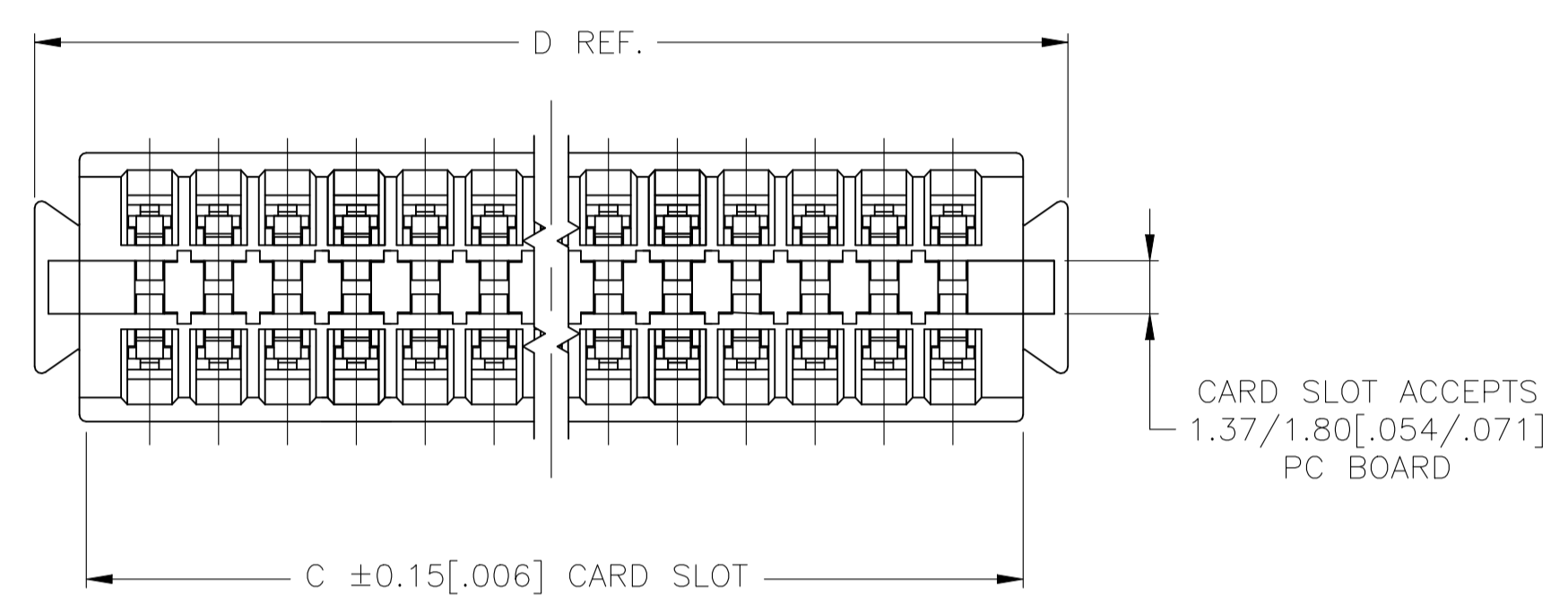


REVISIONS				
REV	DESCRIPTION	DATE	BY	APP'D
G	REVISED PER ECN-21-113138	16AUG2021	RZ	HL

- 1 GOLD PLATE .00076 [.000030] MIN. THICK.
- 2 NICKEL PL. .00127[.000050] MIN. THK. PER QQ-N-290.
- 3 SOLDER PL. .00076[.000030] MIN. THK.
- 4 STAMPED P/N & DATE CODE.
- 5. OPTIONAL: KEYING PLUG FOR INTERCONTACT KEYING IS 118982-1.
- 6. OPTIONAL: CARD GUIDE (BASE NO 117169).
- 7 ALL PARTS ASSEMBLED IN CHINA MUST BE STAMPED "ASSY IN CHINA". THE WORD "CHINA" CAN BE SUBSTITUTED ONLY WHERE PART SIZE PROHIBITS STAMPING "ASSY IN CHINA", INK PER 115-9009, APPROX WHERE SHOWN, SIDE OPTIONAL.
- 8 PRELIMINARY PART - NOT RELEASED FOR PRODUCTION.
- 10 MATTE TIN PL. .00076[.000030] MIN. THK.



OBSELETE	44.04[1.734]	40.74[1.604]	35.56[1.400]	14	15	5-147885-2
OBSELETE	31.34[1.234]	28.04[1.104]	22.86[.900]	9	10	5-147885-1
OBSELETE	44.04[1.734]	40.74[1.604]	35.56[1.400]	14	15	147885-2
OBSELETE	31.34[1.234]	28.04[1.104]	22.86[.900]	9	10	147885-1
	D	C	B	A	POSN.	PART NO.

THIS DRAWING IS A CONTROLLED DOCUMENT.

DIMENSIONS: mm [INCHES]	TOLERANCES UNLESS OTHERWISE SPECIFIED:	DIN R BROWN 22MAY01	TE Connectivity
0 PLC ± -	1 PLC ± -	CHK R BENDROF 22MAY01	
2 PLC ± -	3 PLC ± 0.25[.010]	APP'D M MILLER 22MAY01	NAME
4 PLC ± -	ANGLES ± -	PRODUCT SPEC	CONNECTOR, AMP PACE .100 X .200
MATERIAL: HOUSING: VALOX 420 STD. BLACK	CONTACTS: COPPER NICKEL	APPLICATION SPEC	SIZE
		114-26002	CAGE CODE
		WEIGHT 0.000000	DRAWING NO
		A1 00779	RESTRICTED TO
		C=147885	
		CUSTOMER DRAWING	SCALE 4:1 SHEET 1 of 1 REV G