

| MATERIAL NO. | ENGINEERING NO. | FINISHED LENGTH        | POLES | CABLE DIA.  |
|--------------|-----------------|------------------------|-------|-------------|
| 1300630017   | C03000A48M010   | 1 M (3 FT 3.37 IN)     | 3     | 0.70 [17.8] |
| 1300630127   | C04000A48M750   | 75 M (246 FT 0.76 IN)  | 4     | 0.78 [19.7] |
| 1300630132   | C04000A48T130   | 130 M (426 FT 6.11 IN) | 4     | 0.78 [19.7] |

**CABLE LENGTH TOLERANCES**

<.3M [1FT]: +19mm-0 [+ .75in-0]

.3 - .9M [1 - 3FT]: +44.5mm-0 [+1.75in-0]

.9 - 1.8M [3 - 6FT]: +55.6mm-0 [+2.19in-0]

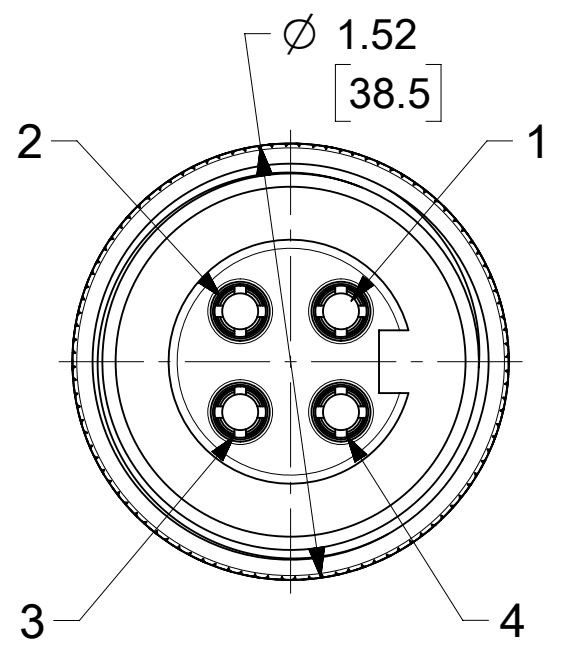
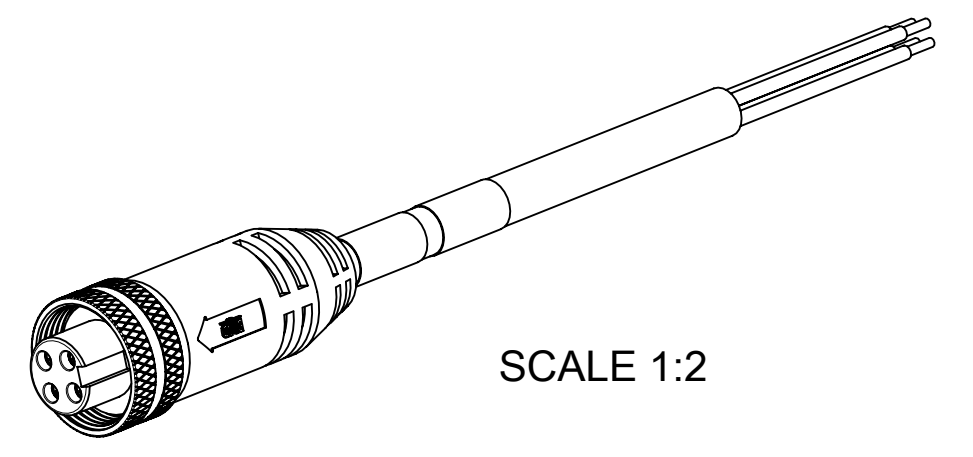
1.8 - 3.7M [6 - 12FT]: +88.9mm-0 [+3.50in-0]

3.7 - 7.3M [12 - 24FT]: +165.1mm-0 [+6.50in-0]

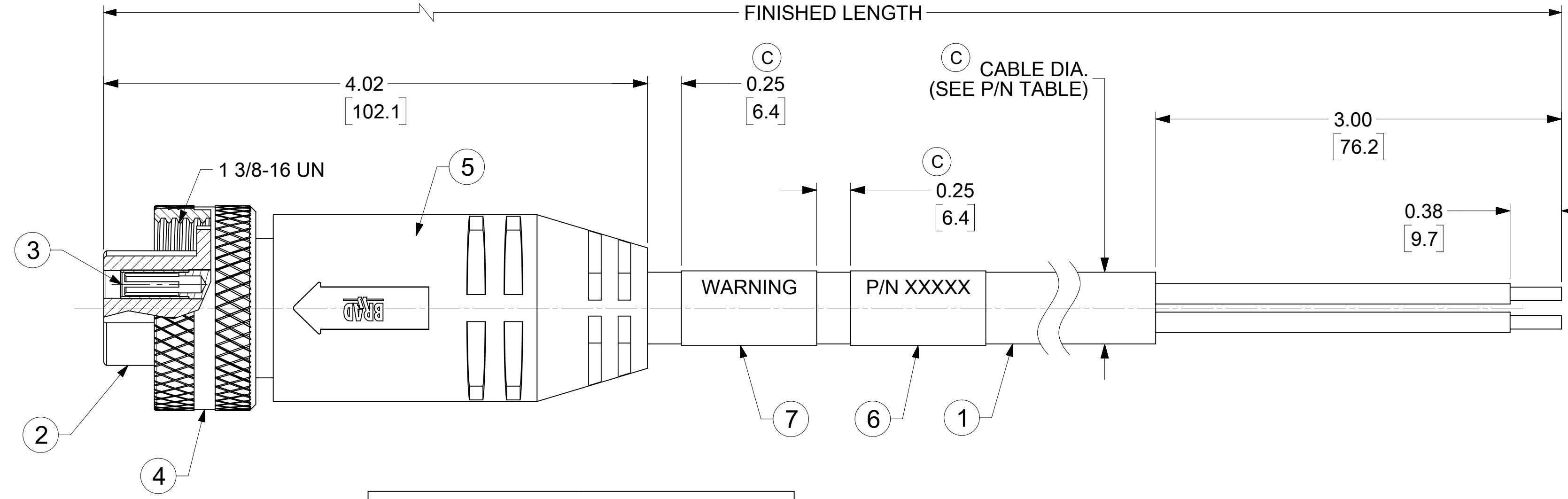
7.3-14.6M [24 - 48FT]: +317.5mm-0 [+12.50in-0]

14.6 - 30.5M [48-100FT]: +622.3mm-0 [+24.50in-0]

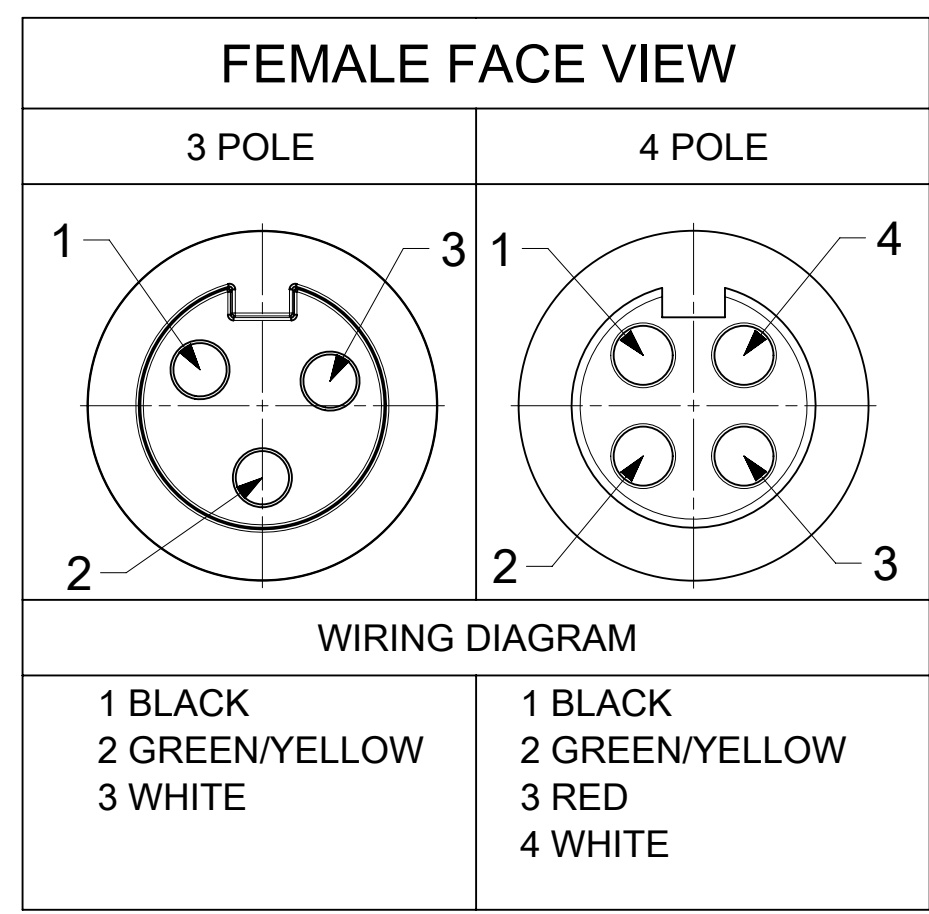
OVER 30M [100FT] +2% OF FINISHED LENGTH



FEMALE FACE VIEW



- NOTES: (C)
- MATERIAL: AS NOTED
  - FINISH: AS NOTED
  - ELECTRICAL:  
 VOLTAGE: 630V (3P) / 500V (4P) PER IEC60664  
 600V PER UL2237  
 CURRENT: 32A
  - TEMP RATING: -20°C TO +90°C (3P), +105°C (4P)
  - PROTECTION: IP67 (WHEN MATED)
  - UL LISTED FILE: E258922
  - ALL DIMS ARE FOR REFERENCE UNLESS TOLERANCED OR NOTED OTHERWISE



**PART NUMBER LEGEND (C)**

**C04000A48M750**

FINISHED LENGTH  
 M001 = 0.1 METER  
 M010 = 1.0 METER  
 M100 = 10.0 METER  
 T100 = 100 METER

| ITEM | DESCRIPTION                | MATERIAL  | FINISH           |
|------|----------------------------|-----------|------------------|
| 7    | WARNING LABEL              | VINYL     | ORANGE/BLACK     |
| 6    | WRAP LABEL                 | VINYL     | BLACK/YELLOW     |
| 5    | OVERMOLD                   | TPE       | GRAY             |
| 4    | COUPLING NUT               | ALUMINIUM | CLEAR ANODIZE    |
| 3    | CONTACT SOCKET             | Cu ALLOY  | GOLD OVER NICKEL |
| 2    | FEMALE INSERT              | TPE       | BLACK            |
| 1    | CABLE #10/3-4, TC-ER/STOOW | PVC       | GRAY             |

|                                                      |  |         |  |                                                                                                                                               |  |                 |  |
|------------------------------------------------------|--|---------|--|-----------------------------------------------------------------------------------------------------------------------------------------------|--|-----------------|--|
| FUNCTIONAL SYMBOLS                                   |  |         |  | THIS DRAWING CONTAINS INFORMATION THAT IS PROPRIETARY TO MOLEX ELECTRONIC TECHNOLOGIES, LLC AND SHOULD NOT BE USED WITHOUT WRITTEN PERMISSION |  |                 |  |
| DIMENSION UNITS                                      |  | SCALE   |  | CURRENT REV DESC: ADDED NOTES, BOM, ITEM #2 & 5 WERE PVC, MATERIAL P/N TABLE & DIMS. CABLE DIA., TOL. CHART AND PART NUMBER LEGEND.           |  |                 |  |
| INCH/MM                                              |  | 1.5:1   |  | EC NO: 711366                                                                                                                                 |  |                 |  |
| GENERAL TOLERANCES (UNLESS SPECIFIED)                |  |         |  | DRWN: VHANDI 2021/09/17                                                                                                                       |  |                 |  |
| 4 PLACES                                             |  | ±       |  | CHK'D: RSTONE 2022/06/21                                                                                                                      |  |                 |  |
| 3 PLACES                                             |  | ±       |  | APPR: BWOODMAN 2022/06/24                                                                                                                     |  |                 |  |
| 2 PLACES                                             |  | ±       |  | INITIAL REVISION:                                                                                                                             |  |                 |  |
| 1 PLACE                                              |  | ±       |  | DRWN: BRUPERT 2010/01/14                                                                                                                      |  |                 |  |
| 0 PLACES                                             |  | ±       |  | APPR: JFMURPHY 2010/01/15                                                                                                                     |  |                 |  |
| ANGULAR TOL                                          |  | ± 0.5°  |  | THIRD ANGLE PROJECTION                                                                                                                        |  |                 |  |
| DRAFT WHERE APPLICABLE MUST REMAIN WITHIN DIMENSIONS |  | DRAWING |  | SERIES                                                                                                                                        |  | DOCUMENT NUMBER |  |
|                                                      |  | C-SIZE  |  | 130063                                                                                                                                        |  | SD-130063-089   |  |
|                                                      |  |         |  | MATERIAL NUMBER                                                                                                                               |  | CUSTOMER        |  |
|                                                      |  |         |  | SEE TABLE                                                                                                                                     |  | GENERAL MARKET  |  |
|                                                      |  |         |  | DOC TYPE                                                                                                                                      |  | DOC PART        |  |
|                                                      |  |         |  | PSD                                                                                                                                           |  | 001             |  |
|                                                      |  |         |  | REVISION                                                                                                                                      |  | C               |  |
|                                                      |  |         |  | SHEET NUMBER                                                                                                                                  |  | 1 OF 1          |  |