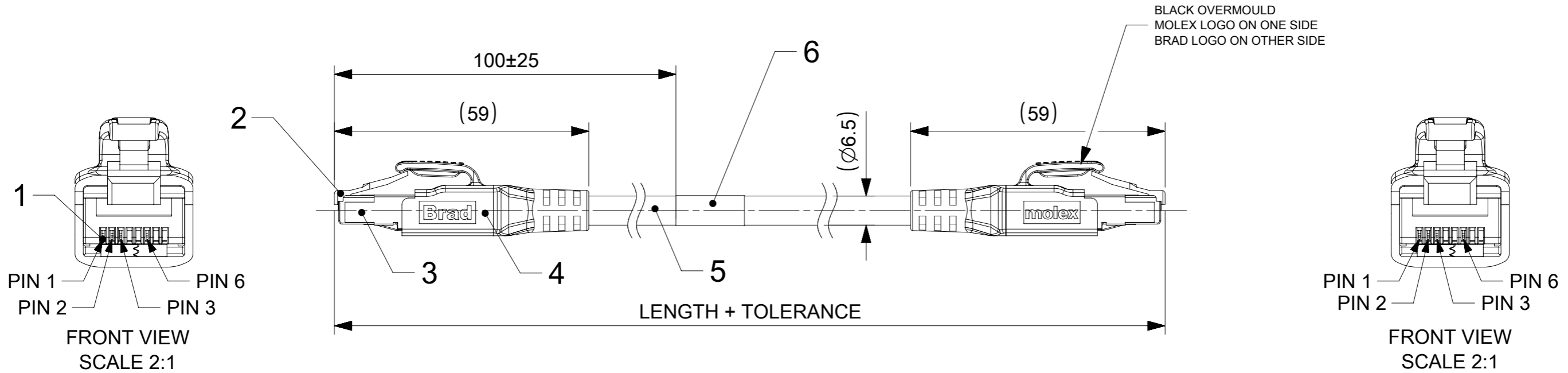
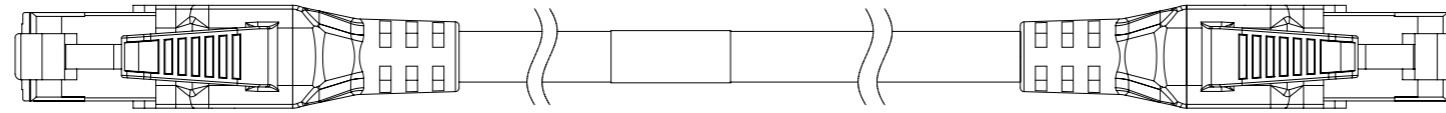
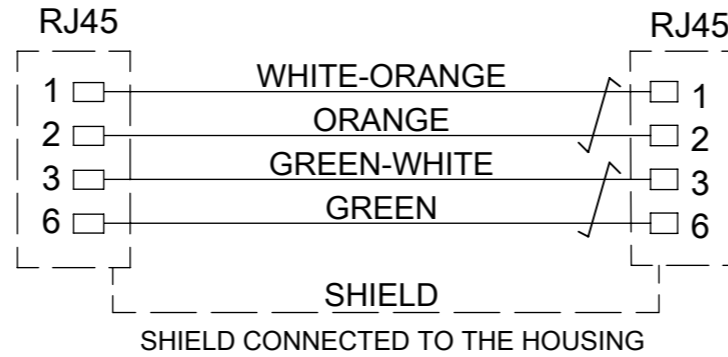


PLUG RJ45 STRAIGHT TO PLUG RJ45 STRAIGHT



WIRING DIAGRAM

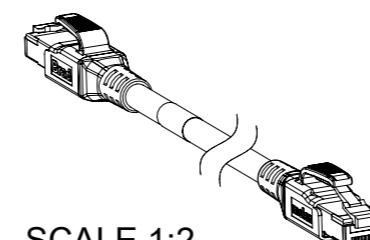


NOTES:

1. MATERIALS : SEE BOM TABLE
2. FINISHES: SEE BOM TABLE
3. ELECTRICAL DATA:
MAX. VOLTAGE RATING 60 VDC
MAX. CURRENT PER CONTACT 1.5 A
4. ENVIRONMENTAL PARAMETERS FOR CONNECTOR:
STATIC OPERATING TEMP: -40°C to $+85^{\circ}\text{C}$
INDEX OF PROTECTION RJ45: IP20
5. FOR MORE INFORMATION SEE PRODUCT SPECIFICATION 1201080202 PS P00
6. TRANSMISSION CHARACTERISTICS ACCORDING TO ISO/IEC 11801 CATEGORY 5e
PATCH CORD PROFINET TYPE C

BOM

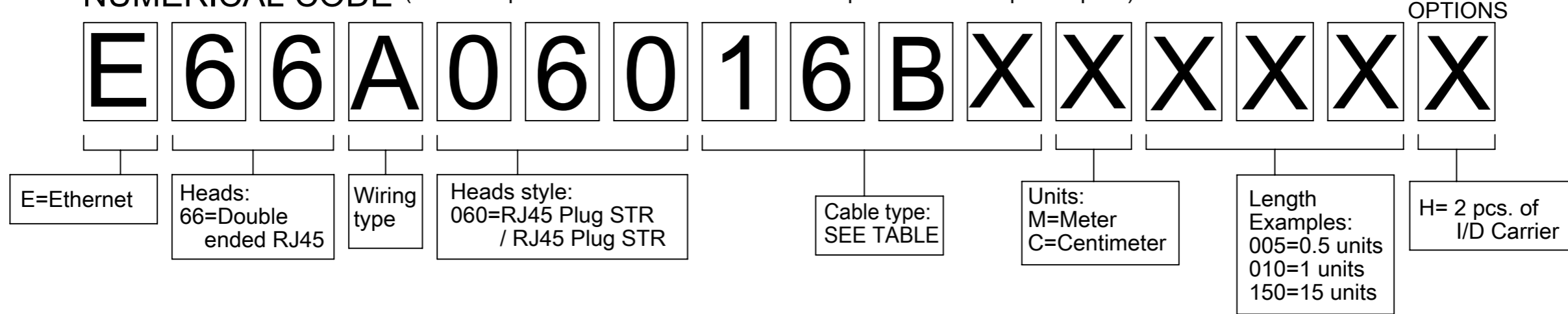
| ITEM | QTY. | DESCRIPTION | MATERIAL | FINISH |
|------|---------|-----------------------|-----------------|----------------|
| 6 | 1 | LABEL | VINYL | --- |
| 5 | - | CABLE | SEE SHEET 2 | --- |
| 4 | - | OVERMOULDING BLACK | TPU | --- |
| 3 | 2 | SHIELD | BRASS | TIN |
| 2 | 2 | PLUG RJ45 TRANSPARENT | POLYCARBONATE | --- |
| 1 | 8 or 16 | CONTACT RJ45 MALE | PHOSPHOR BRONZE | SELECTIVE GOLD |



SCALE 1:2

| FUNCTIONAL SYMBOLS | THIS DRAWING CONTAINS INFORMATION THAT IS PROPRIETARY TO MOLEX ELECTRONIC TECHNOLOGIES, LLC AND SHOULD NOT BE USED WITHOUT WRITTEN PERMISSION | SCALE | CURRENT REV DESC: | molex | | |
|--------------------|---|-------|--|-------------------------------|----------------|----------|
| $\nabla_A = 0$ | DIMENSION UNITS | 1:1 | EC NO: 718371 | CSE ETH ETH RJ45 WSOR RJ45 XM | | |
| $\nabla_E = 0$ | SCALE | | DRWN: MBLOESER | PRODUCT CUSTOMER DRAWING | | |
| $\nabla_F = 0$ | GENERAL TOLERANCES (UNLESS SPECIFIED) | | CHK'D: RSILLER | DOCUMENT NUMBER | | |
| | ANGULAR TOL $\pm 1.0^{\circ}$ | | APPR: RSILLER | 1201088967 | DOC TYPE | DOC PART |
| | 4 PLACES \pm | | INITIAL REVISION: | PSD | 000 | A3 |
| | 3 PLACES \pm | | DRWN: SSM | SHEET NUMBER | | |
| | 2 PLACES ± 0.05 | | APPR: RSILLER | 120108 | GENERAL MARKET | 1 OF 2 |
| | 1 PLACE ± 0.3 | | DRAFT WHERE APPLICABLE MUST REMAIN WITHIN DIMENSIONS | SEE PART LIST | | |
| | 0 PLACES ± 0.5 | | THIRD ANGLE PROJECTION | | | |
| | | | DRAWING | | | |
| | | | SERIES | | | |
| | | | MATERIAL NUMBER | | | |
| | | | CUSTOMER | | | |
| | | | | | | |

NUMERICAL CODE (Available parts see PART LIST table. Other parts available upon request)



CABLE INFORMATION (for more information see Cable Data Sheet).

| CABLE TYPE | MOLEX PN | CABLE O.D. | APPLICATION | CROSS SECTION | CABLE JACKET | UL | TEMP. RANGE STATIC BENDING RADIUS STATIC | CYCLES | ADITIONAL INFORMATION | RJ45 MOLEX PN |
|------------|------------|------------|-------------|---------------|----------------|-------------|--|--|-----------------------|---------------|
| 16BK | 1202098649 | 6.5mm | - | 24AWG | PUR BLACK | STYLE 21215 | -40°C to +80°C / min.6xO.D. | 1M, min.10xO.D. / 2M min.20xO.D. @20°C | WSOR | 1301980179 |
| 16 | 1302110136 | 6.5mm | - | 24AWG | TPU BASED TEAL | STYLE 21215 | -40°C to +80°C / min.6xO.D. | 1M, min.10xO.D. / 2M min.20xO.D. @20°C | WSOR | 1301980179 |

PART LIST

| Part No. | Engineering No. | Cable Length(m) |
|------------|-----------------|-----------------|
| 1201088967 | E66A06016BKM005 | 0,5m |
| 1201088968 | E66A06016BKM010 | 1m |
| 1201088969 | E66A06016BKM020 | 2m |
| 1201088970 | E66A06016BKM030 | 3m |
| 1201088971 | E66A06016BKM050 | 5m |
| 1201088972 | E66A06016BKM100 | 10m |
| 1201088532 | E66A06016M005 | 0.5m |
| 1201088556 | E66A06016M003 | 0.3m |
| 1201088557 | E66A06016M006 | 0.6m |
| 1201088474 | E66A06016M010 | 1m |
| 1201088475 | E66A06016M020 | 2m |
| 1201088476 | E66A06016M030 | 3m |
| 1201088477 | E66A06016M040 | 4m |
| 1201088478 | E66A06016M050 | 5m |
| 1201088479 | E66A06016M060 | 6m |
| 1201088480 | E66A06016M080 | 8m |
| 1201088481 | E66A06016M090 | 9m |
| 1201088482 | E66A06016M100 | 10m |

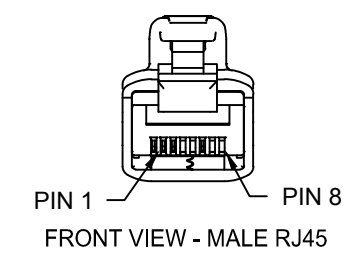
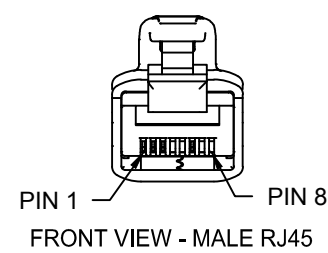
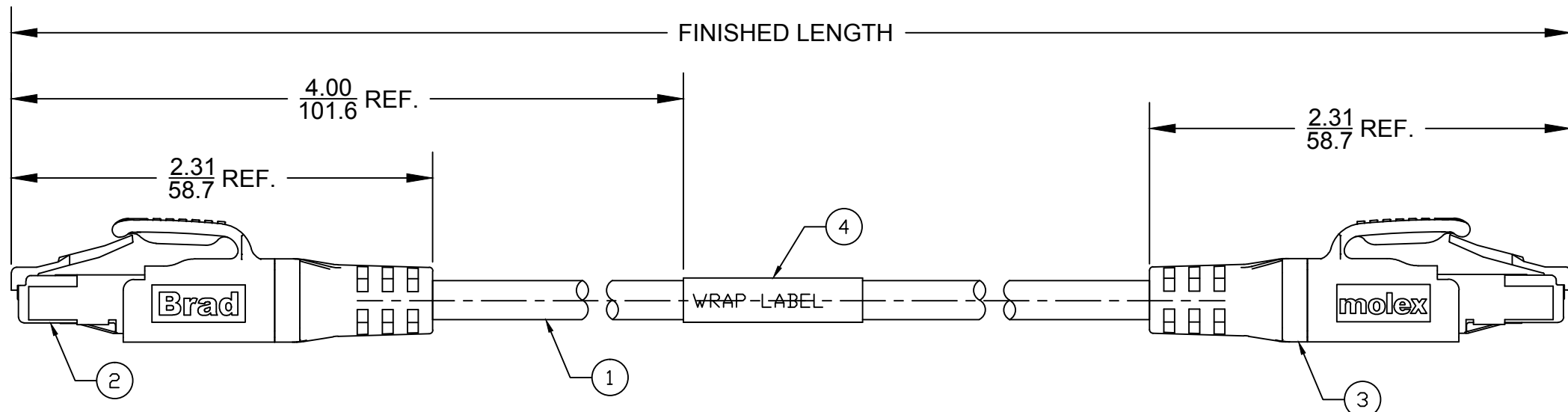
| Part No. | Engineering No. | Cable Length |
|------------|-----------------|--------------|
| 1201088483 | E66A06016M120 | 12m |
| 1201088484 | E66A06016M150 | 15m |
| 1201088485 | E66A06016M200 | 20m |
| 1201088486 | E66A06016M250 | 25m |
| 1201088487 | E66A06016M300 | 30m |
| 1201088488 | E66A06016M350 | 35m |
| 1201088489 | E66A06016M400 | 40m |
| 1201088490 | E66A06016M450 | 45m |
| 1201088491 | E66A06016M500 | 50m |
| 1201088492 | E66A06016M550 | 55m |
| 1201088493 | E66A06016M600 | 60m |
| 1201088494 | E66A06016M650 | 65m |
| 1201088495 | E66A06016M700 | 70m |
| 1201088496 | E66A06016M750 | 75m |
| 1201088497 | E66A06016M800 | 80m |
| 1201088528 | E66A06016M850 | 85m |
| 1201088529 | E66A06016M900 | 90m |

TABLE 2
CABLE LENGTH TOLERANCES

| LENGTH | TOLERANCE |
|----------|------------|
| 0m-1m | +40 mm |
| >1m-5m | +60 mm |
| >5m-10m | +80 mm |
| >10m-20m | +140 mm |
| >20m-30m | +160 mm |
| >30m | +1% length |

| | | | | |
|--|---|----------------------|---------------------------|--------------------------|
| FUNCTIONAL SYMBOLS √A = 0 √E = 0 √V = 0 | THIS DRAWING CONTAINS INFORMATION THAT IS PROPRIETARY TO MOLEX ELECTRONIC TECHNOLOGIES, LLC AND SHOULD NOT BE USED WITHOUT WRITTEN PERMISSION | SCALE 1:1 | CURRENT REV DESC: | molex |
| | GENERAL TOLERANCES (UNLESS SPECIFIED) | 4 PLACES ± | | |
| DIVISIONAL SYMBOLS | ANGULAR TOL ± 1.0° | 3 PLACES ± | DRWN: MBLOESER 2022/08/19 | PRODUCT CUSTOMER DRAWING |
| | 2 PLACES ± 0.05 | 1 PLACE ± 0.3 | CHK'D: RSILLER 2022/08/22 | |
| | 0 PLACES ± 0.5 | INITIAL REVISION: | APPR: RSILLER 2022/08/22 | DOCUMENT NUMBER |
| | DRAFT WHERE APPLICABLE MUST REMAIN WITHIN DIMENSIONS | DRWN: SSM 2021/08/04 | APPR: RSILLER 2021/12/21 | 1201088967 |
| | THIRD ANGLE PROJECTION | DRAWING | SERIES | DOC TYPE |
| | | A3-SIZE | 120108 | PSD |
| | | | SEE PART LIST | DOC PART |
| | | | GENERAL MARKET | 000 |
| | | | | REVISION |
| | | | | A3 |
| | | | | SHEET NUMBER |
| | | | | 2 OF 2 |

| MATERIAL NUMBER | ENG. NUMBER | FINISHED LENGTH [M] |
|-----------------|---------------|---------------------|
| 1201088474 | E66A06016M010 | 1.0 M |
| 1201088486 | E66A06016M250 | 25.0 M |



NOTES:

STANDARDS:
PROTECTION: IP20

WRAP LABEL:
MARKED WITH P/N, DATE CODE, VOLTAGE & AMPERAGE

ELECTRICAL
ACCORDING TO CAT5e
VOLTAGE RATING: 125V AC/DC
AMPERAGE: 1.5A

ADDITIONAL CABLE INFORMATION

| PHYSICAL CHARACTERISTICS: | |
|---------------------------|---|
| CONDUCTOR SIZE | 24AWG 2 PAIR (19/0.12mm) BARE COPPER |
| INSULATION MATERIAL | POLYOLEFIN |
| SHIELD/BRAID | TINNED COPPER 85% COVERAGE |
| JACKET MATERIAL | TPU (TEAL) |
| CONDUCTOR TAPE | ORANGE-ORANGE-WHITE & GREEN, GREEN-WHITE ALUMINUM-POLYESTER |

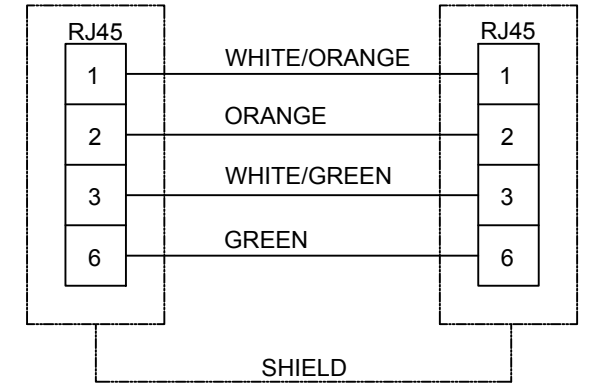
PART MATRIX

| CABLE TYPE | LENGTH |
|-----------------|-------------|
| 24 AWG TPU-TEAL | M005 = 0.5M |
| | M050 = 5M |
| | M250 = 25M |

E66A06016M005

CABLE LENGTH TOLERANCES

| | |
|--------------------------|-------------------------|
| >.3M [1FT]: | +19mm-0 [+0.75in-0] |
| .3 - .9M [1 - 3FT]: | +44.5mm-0 [+1.75in-0] |
| .9 - 1.8M [3 - 6FT]: | +55.6mm-0 [+2.19in-0] |
| 1.8 - 3.7M [6 - 12FT]: | +88.9mm-0 [+3.50in-0] |
| 3.7 - 7.3M [12 - 24FT]: | +165.1mm-0 [+6.50in-0] |
| 7.3-14.6M [24 - 48FT]: | +317.5mm-0 [+12.50in-0] |
| 14.6 - 30.5M [48-100FT]: | +622.3mm-0 [+24.50in-0] |
| OVER 30M [100FT] | +2% OF FINISHED LENGTH |



CABLE:

| | |
|--------------------------------|------------------------|
| TEMPERATURE RATING (STORAGE) | -40 / +80°C |
| TEMPERATURE RATING (OPERATION) | -20 / +50°C |
| WELD SLAG RESISTANCE | YES, S-300 MOLEX TEST |
| FREE SUBSTANCE'S | FCKW, SILICONE, AND PB |
| FIRE PERFORMANCE | IEC60332-1, UL1581 |
| OIL RESISTANCE | ISO6722, UL758/2556 |

| ITEM | DESCRIPTION | MATERIAL | FINISH |
|------|---------------|---------------|--------------|
| 4 | LABEL | VINYL | BLACK/YELLOW |
| 3 | RJ45 OVERMOLD | TPU | BLACK |
| 2 | RJ45 PLUG | POLYCARBONATE | CLEAR |
| 1 | CABLE | TPU | TEAL |

| | | | | | | |
|---|-----------------|---------------------------------------|---------------------|-------------------------|--------------|------------------------|
| ADD TOLERANCE BLOCK EC NO: IPG2019-0328 DRWN: MZIELINS 2019/01/10 CHKD: CCHRASKT 2019/01/10 APPR: BWOODMAN 2015/06/03 | QUALITY SYMBOLS | GENERAL TOLERANCES (UNLESS SPECIFIED) | DIMENSION STYLE | SCALE | DESIGN UNITS | THIRD ANGLE PROJECTION |
| | ▽=0 | mm INCH | IN/MM | NTS | INCH | |
| | ∇=0 | 4 PLACES ±--- ±--- | DRAWN BY DATE | TITLE | | |
| | | 3 PLACES ±--- ±--- | MZIELINS 2015/05/05 | ETHERNET MALE RJ45/RJ45 | | |
| | | 2 PLACES ±--- ±--- | CHECKED BY DATE | #24-2TP TEAL PUR CAT5E | | |

| | | | | | |
|--|--|--------------------|---|--|--|
| | 1 PLACE ±--- ±--- | APPROVED BY DATE | MOLEX INCORPORATED | | |
| | ANGULAR ±---° | BWARDEN 2015/06/04 | DOCUMENT NO. SD-120108-081 | | |
| | DRAFT WHERE APPLICABLE MUST REMAIN WITHIN DIMENSIONS | MATERIAL NO. | SHEET NO. 1 OF 1 | | |
| | | SEE PART MATRIX | THIS DRAWING CONTAINS INFORMATION THAT IS PROPRIETARY TO MOLEX INCORPORATED AND SHOULD NOT BE USED WITHOUT WRITTEN PERMISSION | | |

| | |
|------|---|
| SIZE | B |
|------|---|

| | | | | | |
|---------------------|--|--|---|--|--|
| DRAWN BY DATE | | | TITLE | | |
| MZIELINS 2015/05/05 | | | ETHERNET MALE RJ45/RJ45 | | |
| CHECKED BY DATE | | | #24-2TP TEAL PUR CAT5E | | |
| BARDEN 2015/06/04 | | | MOLEX INCORPORATED | | |
| APPROVED BY DATE | | | DOCUMENT NO. SD-120108-081 | | |
| BWOODMAN 2015/06/03 | | | SHEET NO. 1 OF 1 | | |
| MATERIAL NO. | | | THIS DRAWING CONTAINS INFORMATION THAT IS PROPRIETARY TO MOLEX INCORPORATED AND SHOULD NOT BE USED WITHOUT WRITTEN PERMISSION | | |
| SEE PART MATRIX | | | | | |