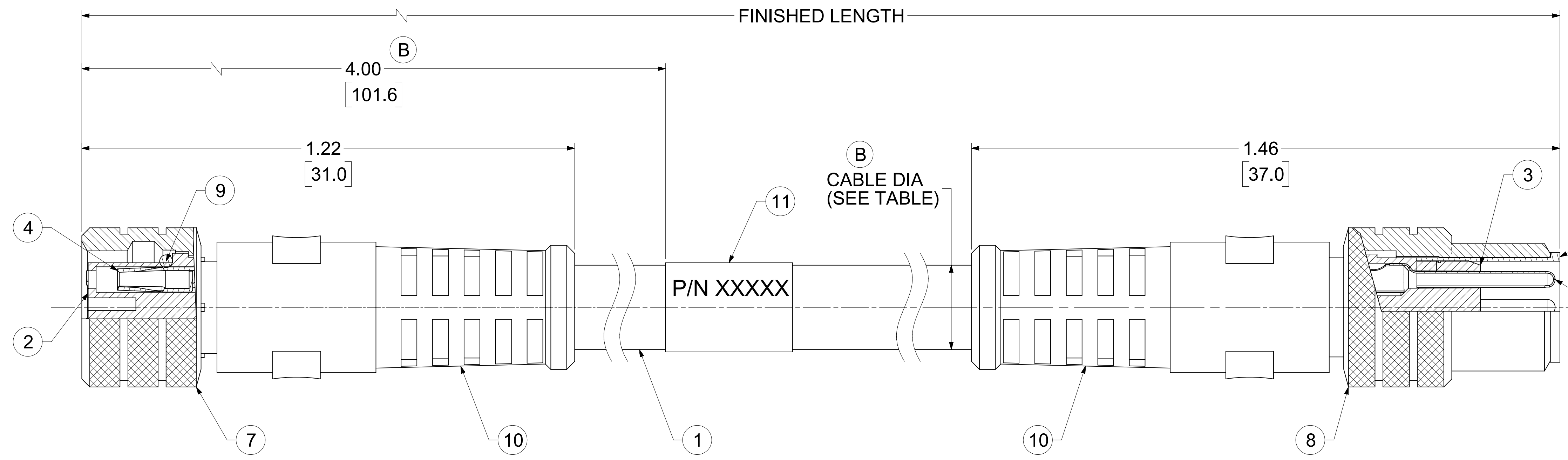
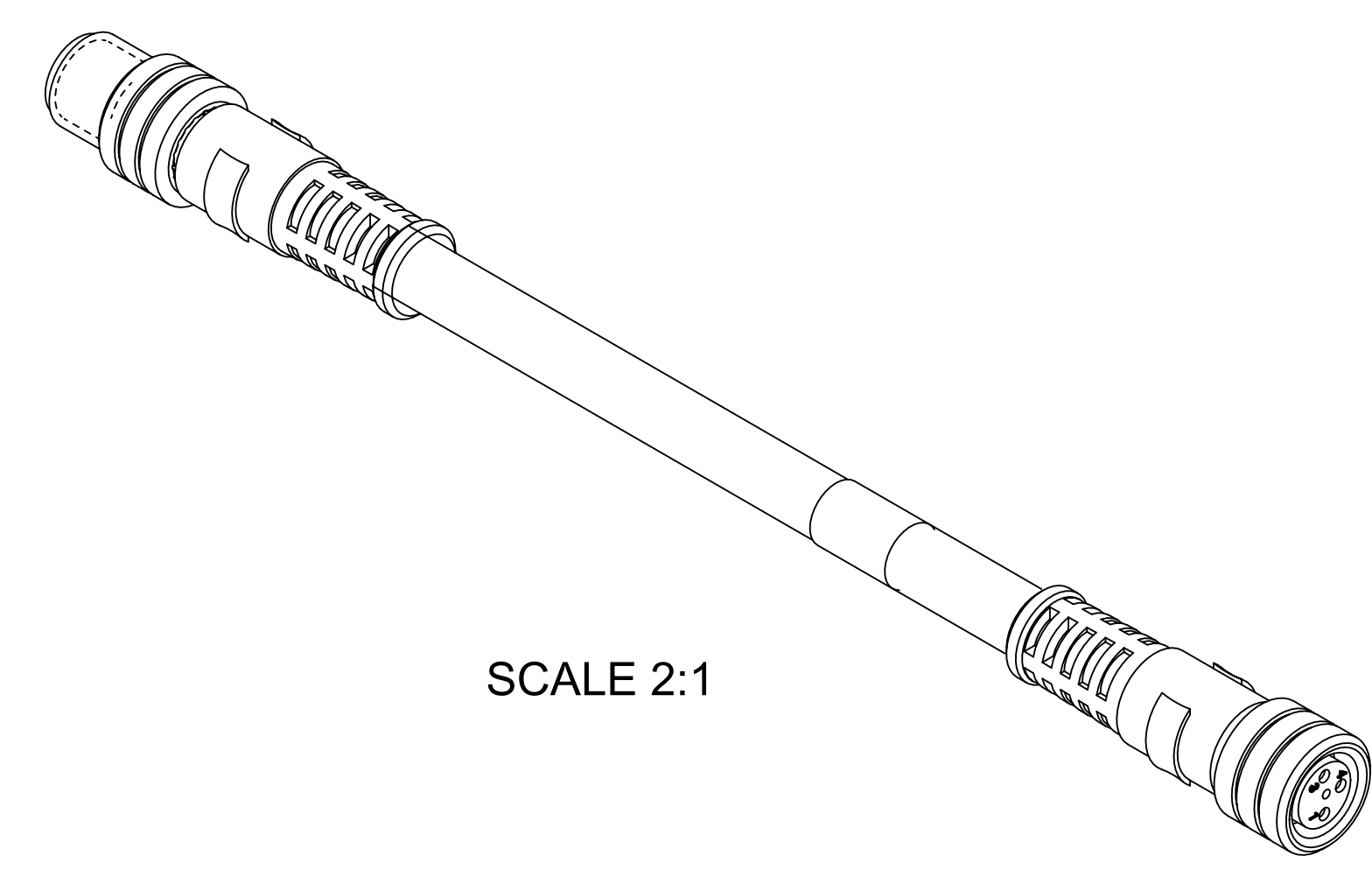


MATERIAL NO.	ENGINEERING NO.	FINISHED LENGTH
1200870074	443030A10M010	1M [3 FT 3 IN]
1200870098	444030A10M050	5M [16 FT 5 IN]
1200871070	445030A10M160	16M [52 FT 5.9 IN]

FEMALE INSERT FRONT VIEW			MALE INSERT FRONT VIEW		
3 POLE	4 POLE	5 POLE	3 POLE	4 POLE	5 POLE
1 BROWN 3 BLUE 4 BLACK	1 BROWN 2 WHITE 3 BLUE 4 BLACK	1 BROWN 2 WHITE 3 BLUE 4 BLACK 5 GREY	1 BROWN 3 BLUE 4 BLACK	1 BROWN 2 WHITE 3 BLUE 4 BLACK	1 BROWN 2 WHITE 3 BLUE 4 BLACK 5 GREY



- NOTES:
- MATERIAL: AS NOTED
 - FINISH: AS NOTED
 - ELECTRICAL:
 - VOLTAGE: 60VAC/75VDC
 - CURRENT: 4A (3&4 POLE), 3A (5 POLE)
 - TEMP RATING: -20°C TO +105°C
 - PROTECTION: IP67 (WHEN MATED)
 - COUPLING THREAD: M8x1
 - UL LISTED FILE: E152210
CSA CERTIFIED FILE: LR6837
 - ALL DIMS ARE FOR REFERENCE UNLESS TOLERANCED OR NOTED OTHERWISE

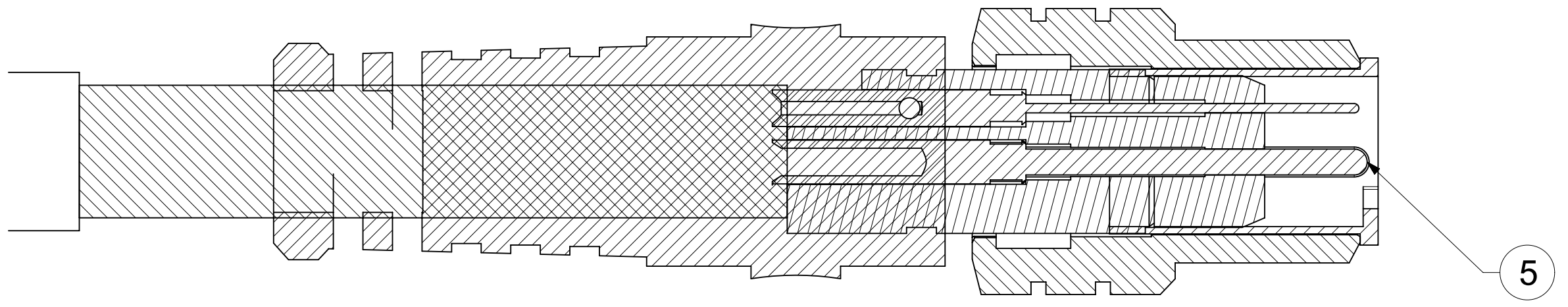
PART NUMBER LEGEND

443030A10M050

- 3- 3 POLES
- 4- 4 POLES
- 5- 5 POLES

FINISHED LENGTH
 M001 = .1 METER
 M010 = 1 METER
 M100 = 10 METER

A240= 24 INCHES
 F001= .1 FT
 F020= 2 FT
 F200= 20 FT



ITEM	DESCRIPTION	MATERIAL	FINISH
11	WRAP LABEL	VINYL	BLACK/YELLOW
10	OVERMOLD	TPC	YELLOW
9	GASKET	VITON	RED
8	MALE COUPLING NUT	BRASS	NICKEL PLATED
7	FEMALE COUPLING NUT	BRASS	NICKEL PLATED
6	MALE SLEEVE	BRASS	COPPER/NICKEL
5	PIN CONTACT	Cu ALLOY	GOLD OVER NICKEL
4	SOCKET CONTACT	Cu ALLOY	GOLD OVER NICKEL
3	MALE INSERT	PUR	BLACK
2	FEMALE INSERT	PUR	BLACK
1	CABLE, 3-5P, 24AWG, PVC	PVC JACKET	YELLOW

POLES	CABLE DIA.
3	0.17
4	0.18
5	0.20

CABLE LENGTH TOLERANCES

<.3M [1FT]: +19mm-0 [+1.75in-0]
 .3 - .9M [1 - 3FT]: +44.5mm-0 [+1.75in-0]
 .9 - 1.8M [3 - 6FT]: +55.6mm-0 [+2.19in-0]
 1.8 - 3.7M [6 - 12FT]: +88.9mm-0 [+3.50in-0]
 3.7 - 7.3M [12 - 24FT]: +165.1mm-0 [+6.50in-0]
 7.3-14.6M [24 - 48FT]: +317.5mm-0 [+12.50in-0]
 14.6 - 30.5M [48-100FT]: +622.3mm-0 [+24.50in-0]
 OVER 30M [100FT] +2% OF FINISHED LENGTH

THIS DRAWING CONTAINS INFORMATION THAT IS PROPRIETARY TO MOLEX ELECTRONIC TECHNOLOGIES, LLC AND SHOULD NOT BE USED WITHOUT WRITTEN PERMISSION

FUNCTIONAL SYMBOLS	DIMENSION UNITS	SCALE	CURRENT REV DESC: ITEM 10 WAS TPE & MATERIAL TABLE. ADDED STD. NOTES, PART NUMBER LEGEND, TOL. TABLE, CABLE DIA. REMOVED 4&5 POLE INFO TO CREATE SEPARATE PSD.
$\nabla_A = 0$	INCH/MM	6:1	
$\nabla_C = 0$	GENERAL TOLERANCES (UNLESS SPECIFIED)		
$\nabla_P = 0$			
DIVISIONAL SYMBOLS	MM	INCH	
	4 PLACES ±	±	
	3 PLACES ±	±	
	2 PLACES ±	±	
	1 PLACE ±	±	
	0 PLACES ±	±	
	ANGULAR TOL ± °		
	DRAFT WHERE APPLICABLE MUST REMAIN WITHIN DIMENSIONS	THIRD ANGLE PROJECTION	
		DRAWING	SERIES
		D-SIZE	120087

EC NO: 701162
 DRWN: AKABADI 2021/09/23
 CHK'D: RSTONE 2022/03/30
 APPR: BWOODMAN 2022/04/08

INITIAL REVISION:
 DRWN: NKUMAR01 16/07/09
 APPR: JFMURPHY 16/07/09

DOCUMENT NUMBER: **SD-120087-092** DOC TYPE: PSD DOC PART: 001 REVISION: B

MATERIAL NUMBER: GENERAL MARKET CUSTOMER: SHEET NUMBER: 1 OF 1