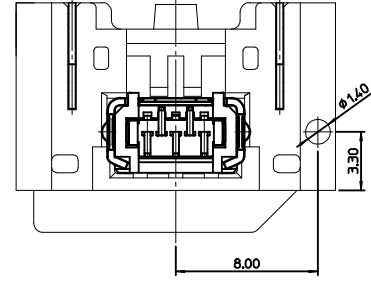
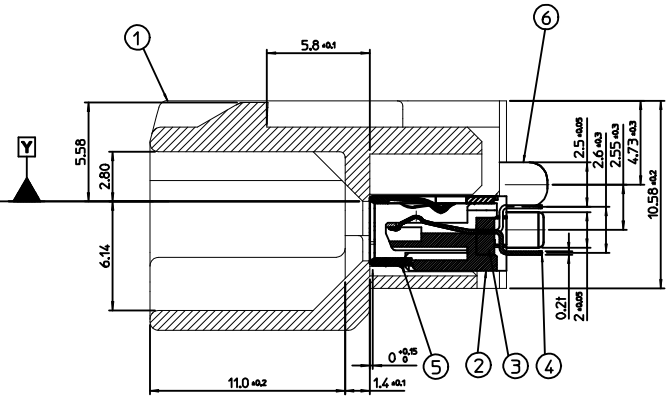
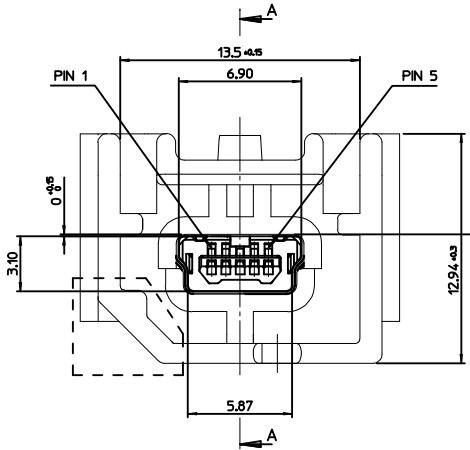


- NOTE**
- MATES WITH :
MOLEX SERIES NO. - 111014, 111015, 111005, 111041, 111019, 111020)
 - SHROUD GEOMETRY AND ASSEMBLY WITH USB MINI-B CONNECTOR ARE ACCORDING TO USCAR STD 999-U-USB-Z01
 - FINISHES
 - TERMINAL :
CONTACT AREA : Au 0.75μm MIN.
SOLDER TAIL AREA : TIN 3.8μm MIN.
UNDER PLATING : NI 1.0μm MIN.
 - SHIELD CASE :
3.0μm MIN. TIN OVER NI 1.0μm MIN.
 - FITTING NAIL :
3.0μm MIN. TIN OVER NI 1.0μm MIN.
 - UNLESS OTHERWISE SPECIFIED, TYPICAL RECOMMENDED PCB MANUFACTURING TOLERANCE IS ±0.05
 - PACKAGING INFORMATION : PK-104004-002
 - PRODUCT SPECIFICATION : PS-49616-001
 - PCB THICKNESS : 1.6mm(REFERENCE)



<TABLE 1>

MATERIAL NO.	ORDER NO.	PACKAGING	COLOR
1040040717	104004-0717	TUBE	BROWN

<PARTS LIST>

NO.	PART NAME	MATERIAL
1	SHROUD	SPS, GLASS FILLED, UL94 HB
2	RECEPTACLE HOUSING	LCP, GLASS FILLED, UL94 V-0
3	CONTACT HOUSING	LCP, GLASS FILLED, UL94 V-0
4	CONTACT TERMINAL	COPPER ALLOY
5	SHIELD CASE	PHOSPHOR BRONZE
6	BOARD LOCKS PIN	BRASS

REVISED
EC NO: KTR2015-0098
DRAWN: IBAEK
CHKD:
APPR: JYCHO
2015/04/27
2015/05/04
DESCRIPTION

QUALITY SYMBOLS
▽=0
▽=0

GENERAL TOLERANCES (UNLESS SPECIFIED)
mm INCH
4 PLACES ± --- ± ---
3 PLACES ± 0 ± ---
2 PLACES ± 0.15 ± ---
1 PLACE ± 0.25 ± ---
ANGULAR ± 1°

DRAFT WHERE APPLICABLE
MUST REMAIN WITHIN DIMENSIONS

DIMENSION STYLE
MM ONLY

DRAWN BY DATE
S.M.KIM 2009/06/17

CHECKED BY DATE
B.C.YOON 2009/06/17

APPROVED BY DATE
JHBAE 2012/04/27

MATERIAL NO.
SEE TABLE1

SCALE
5:1

DESIGN UNITS
METRIC

THIRD ANGLE PROJECTION

TITLE
USCAR USB MINI B CONN
VERTICAL C

MOLEX MOLEX INCORPORATED

DOCUMENT NO.
SD-104004-005

SHEET NO.
1 OF 1

THIS DRAWING CONTAINS INFORMATION THAT IS PROPRIETARY TO MOLEX INCORPORATED AND SHOULD NOT BE USED WITHOUT WRITTEN PERMISSION