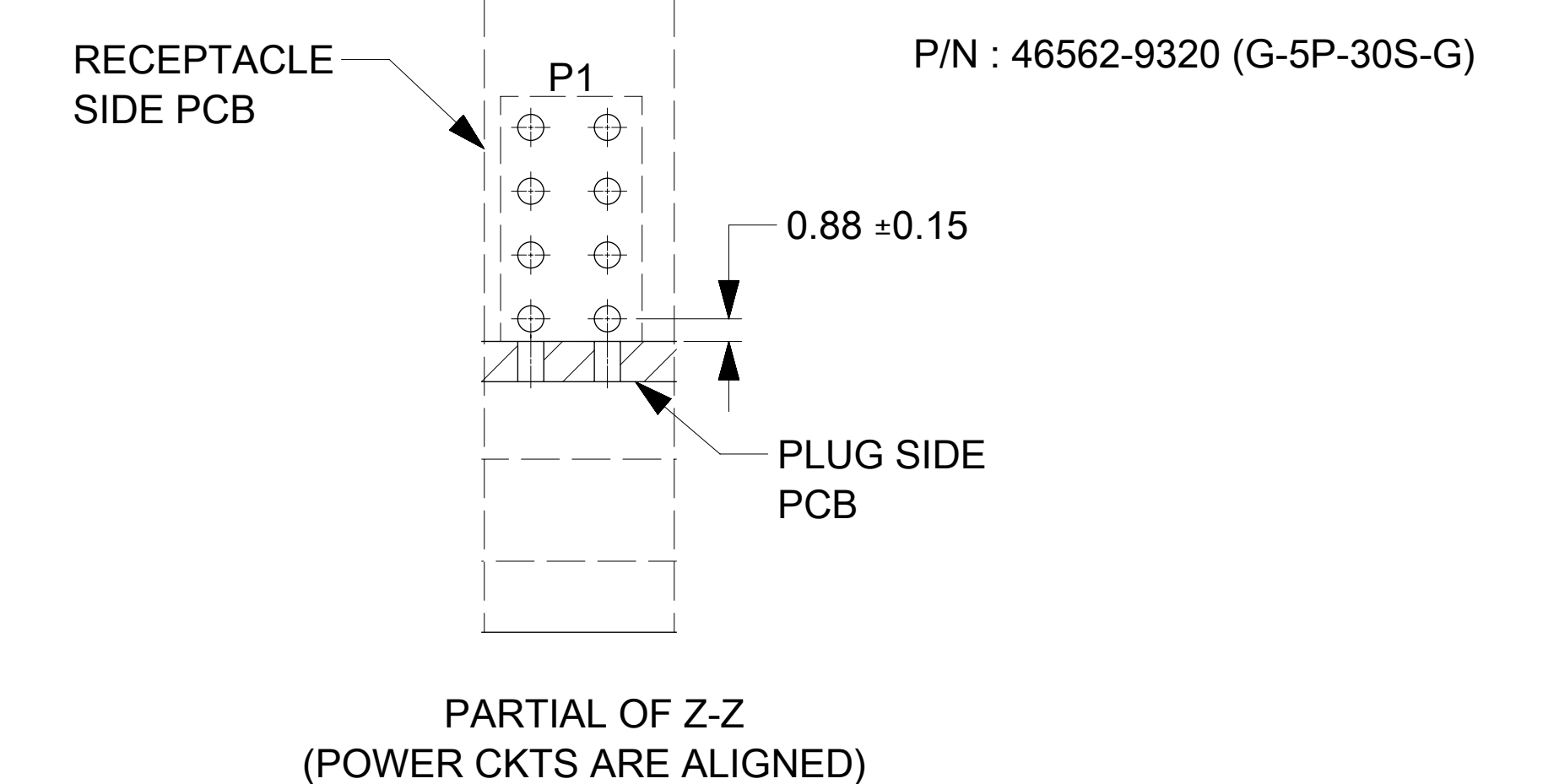
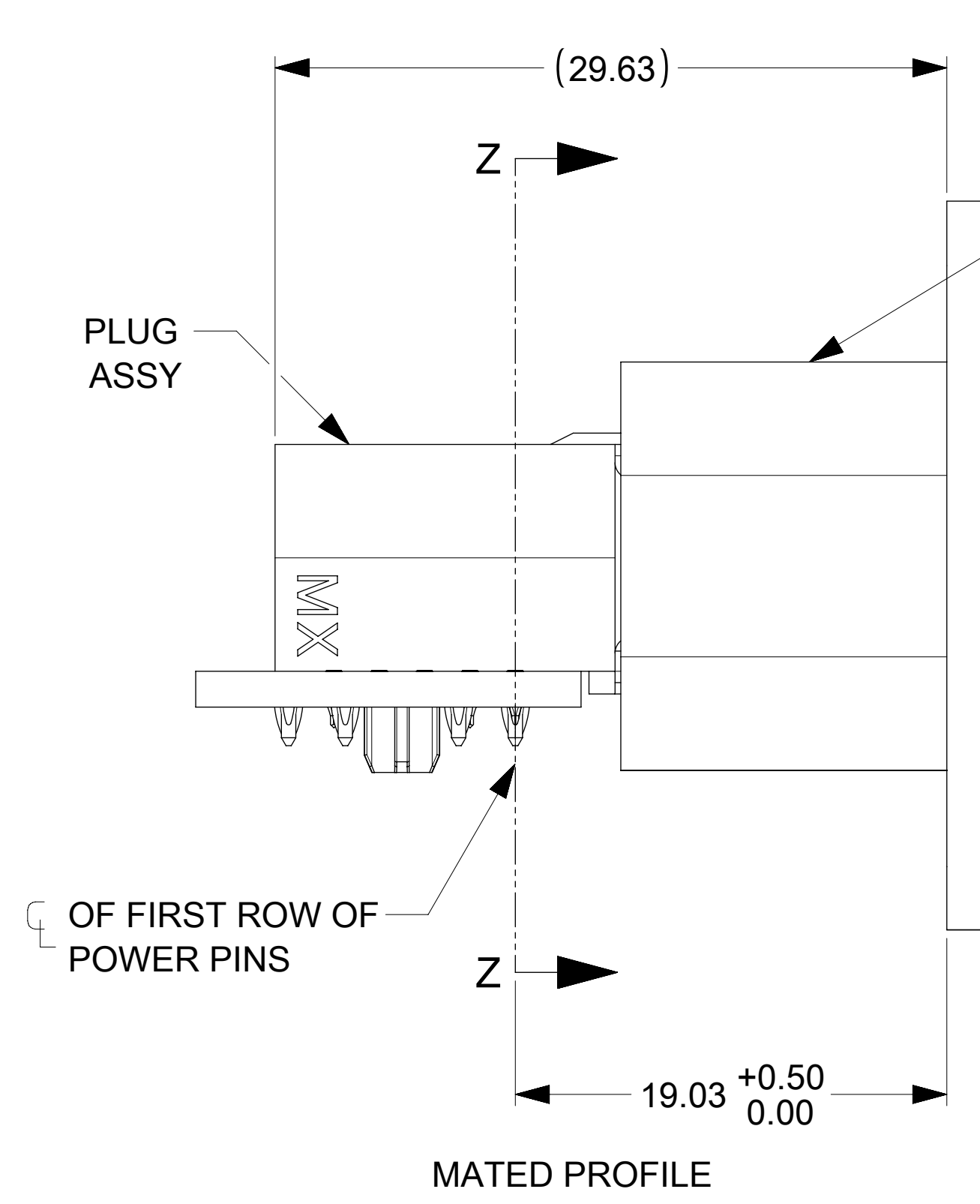
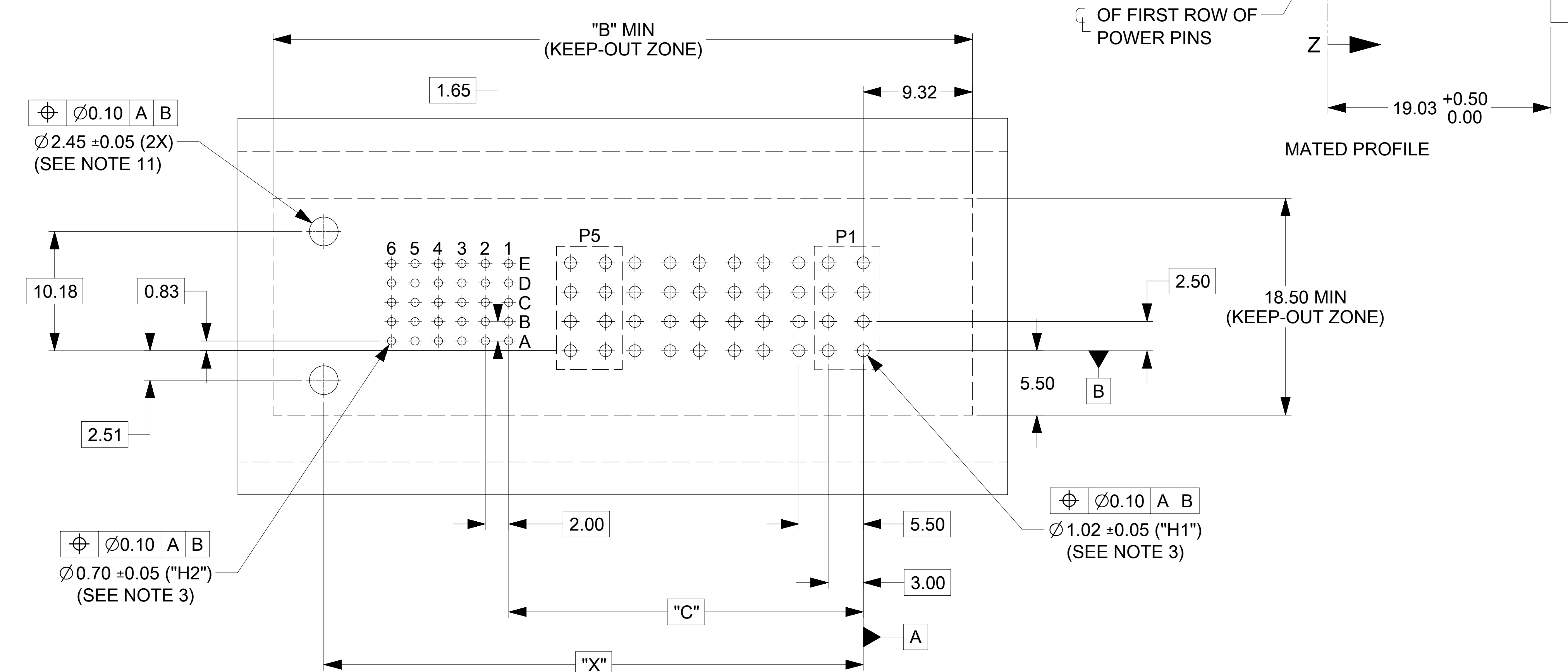
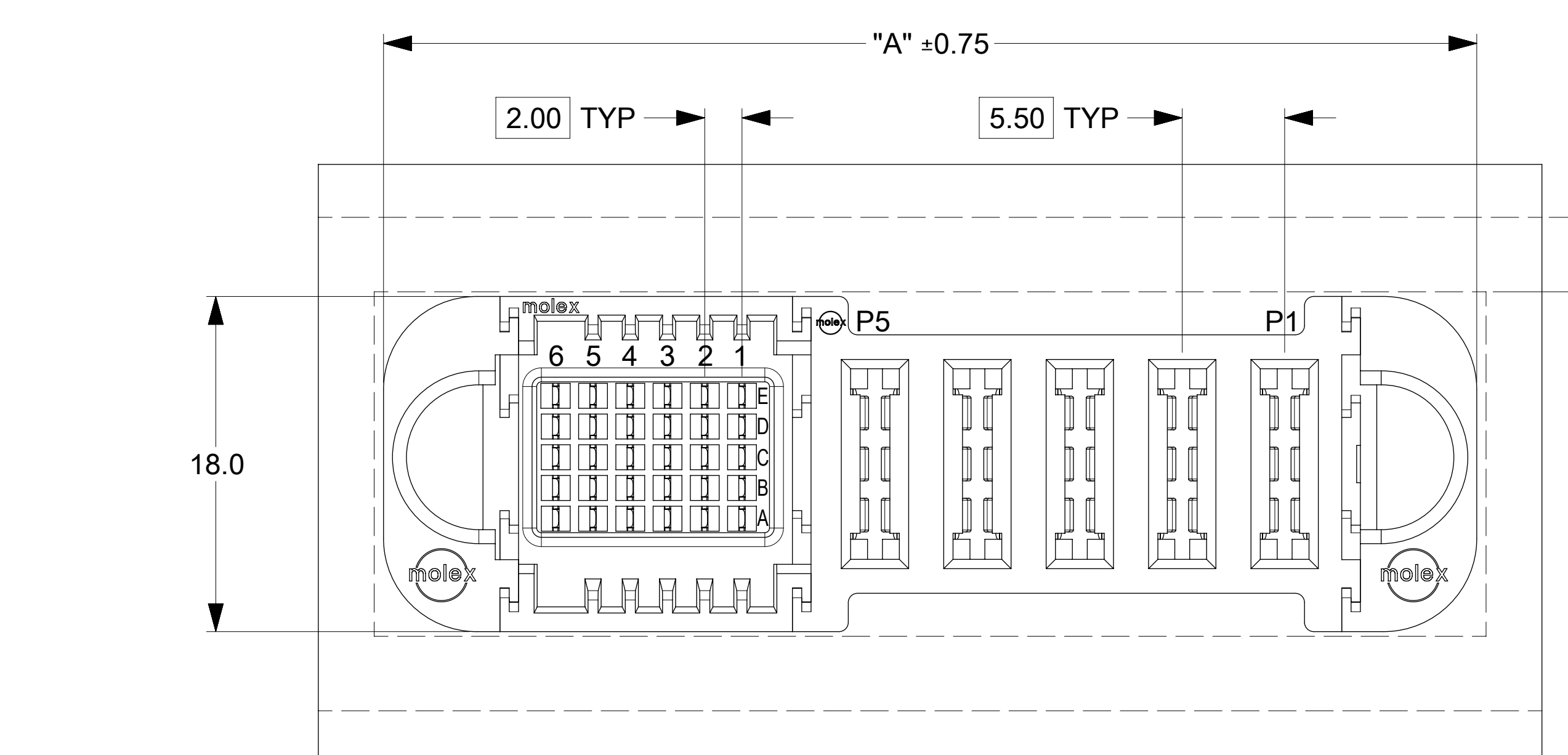


ALLOW EXTRA SPACE
4.00 MM PER SIDE
(REQUIRED FOR RE-WORK PER AS-46436-100)



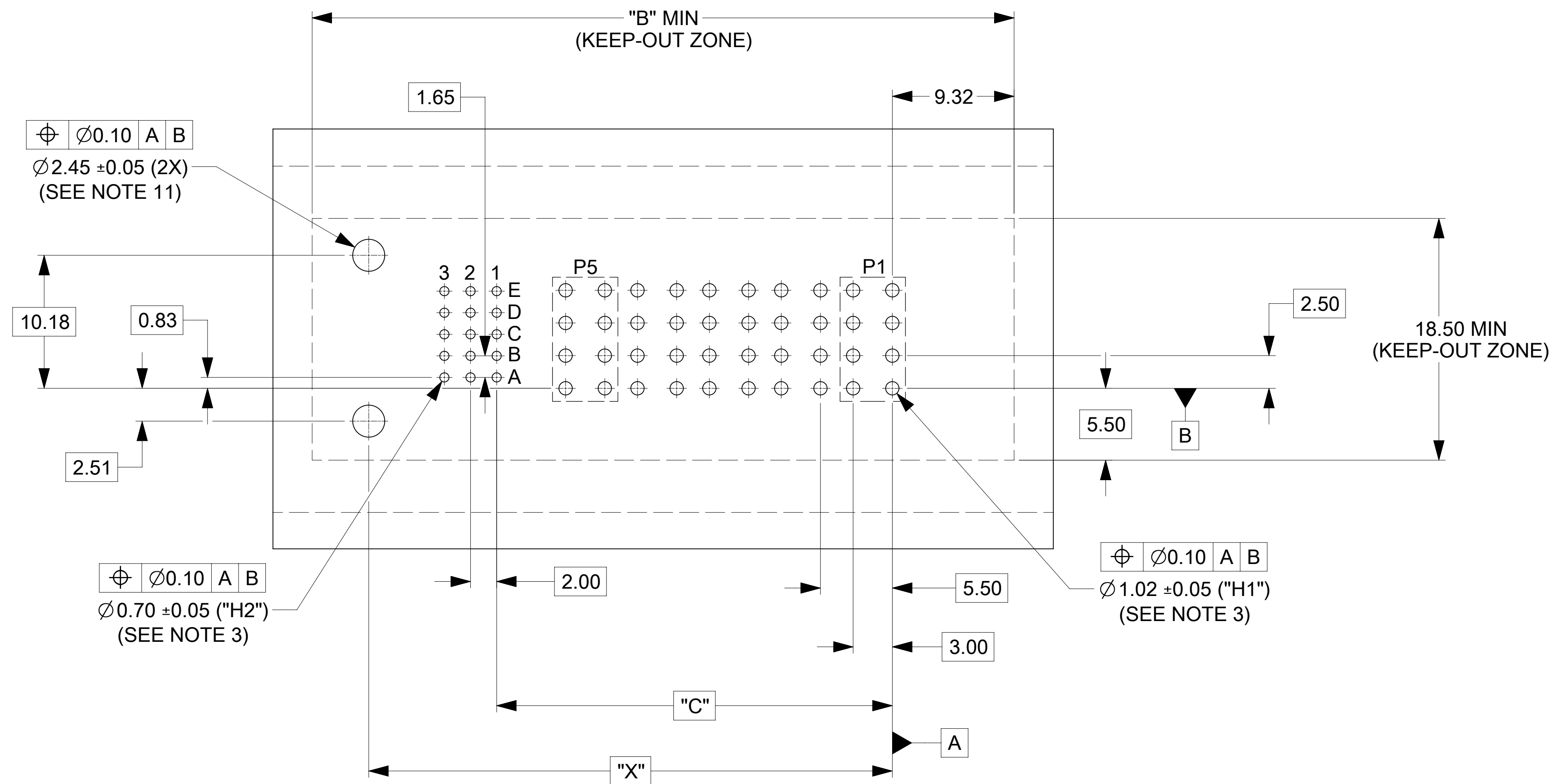
- NOTES:
- MATERIAL:
 - HOUSINGS: LCP UL94, V-0, COLOR: BLACK
 - TERMINALS: HIGH CONDUCTIVITY COPPER ALLOY
 - PLATING: 1.27 MICROMETER (50 MICROINCH) NICKEL OVERALL WITH 2.54 MICROMETER (100 MICROINCH) SELECTIVE TIN ON TAILS AND 0.762 MICROMETER (30 MICROINCH) SELECTIVE GOLD ON CONTACT AREA
 - PACKAGING: ASSEMBLIES TO BE TRAY PACKED PER PACKAGING SPEC: 465621001-PK
 - PLATED THRU HOLE SIZE, REFER TO PS-46436-100 FOR DETAILS
 - PRODUCT SPEC: PS-46436-100
 - APPLICATION SPEC: AS-46436-100
 - PRODUCT TO MEET RoHS REQUIREMENTS
 - ASSEMBLY MATES TO MOLEX PLUG ASSEMBLY P/N 46437-**** (SEE TABLE IN SHEET 2).
 - TAIL DESIGN: COMPLIANT PINS
 - POWER AND SIGNAL CONTACTS ARE LUBRICATED.
 - MOLEX LOGO TO BE LOCATED APPROXIMATELY AS SHOWN.
 - FOR USE WITH 2-32 TYPE AB SELF THREADING SCREWS, SCREW LENGTH OF 9.50MM IS RECOMMENDED FOR 1.58MM THICK PCB MAX TORQUE IS 4 LBS-IN.



THIS DRAWING CONTAINS INFORMATION THAT IS PROPRIETARY TO MOLEX ELECTRONIC TECHNOLOGIES, LLC AND SHOULD NOT BE USED WITHOUT WRITTEN PERMISSION									
DIMENSION UNITS		SCALE		CURRENT REV DESC: ADDED ISOMETRIC VIEWS					
mm		4:1							
GENERAL TOLERANCES (UNLESS SPECIFIED)									
ANGULAR TOL ± 0.5°									
4 PLACES ±		EC NO: 689821							
3 PLACES ±		DRWN: HARSHG		2021/12/13					
2 PLACES ± 0.13		CHK'D: GJEEVANSURES		2021/12/22					
1 PLACE ± 0.25		APPR: HTHYAGARAJ		2022/02/14					
0 PLACES ±		INITIAL REVISION:							
		DRWN: KSUTAR		2021/08/16					
		APPR: HTHYAGARAJ		2021/10/21					
DRAFT WHERE APPLICABLE MUST REMAIN WITHIN DIMENSIONS		THIRD ANGLE PROJECTION		DRAWING		SERIES		MATERIAL NUMBER	
		D-SIZE		46562		SEE TABLE		CUSTOMER	
				GENERAL MARKET		SHEET NUMBER		1 OF 4	

RECOMMENDED PCB LAYOUT AND KEEP-OUT ZONE FOR G-(1P TO 5P)-30S-G

DOCUMENT STATUS	P1	RELEASE DATE	2022/02/14	09:02:11
-----------------	----	--------------	------------	----------



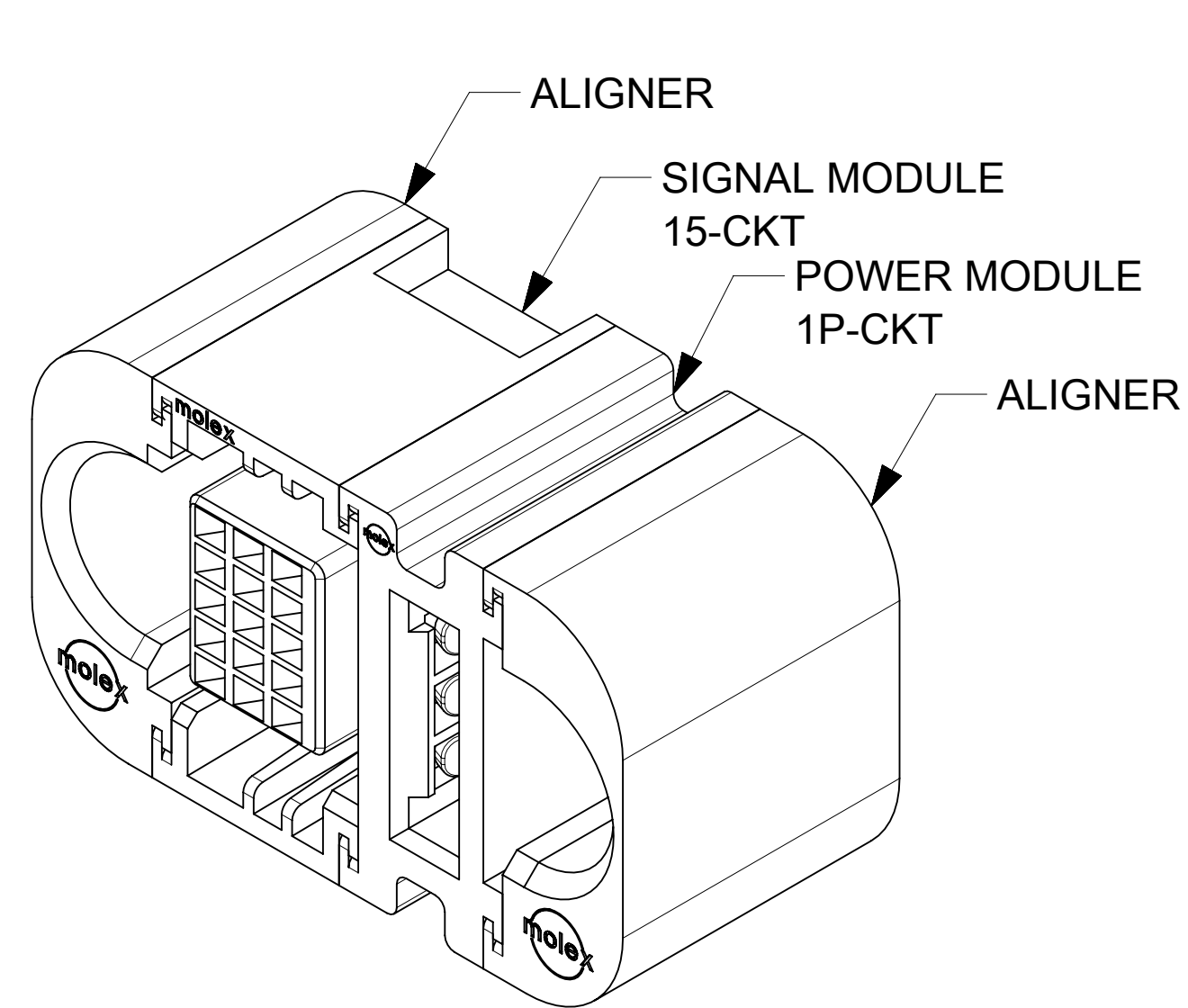
RECOMMENDED PCB LAYOUT AND KEEP-OUT ZONE FOR G-(1P TO 5P)-15S-G

REFER TO BELOW TABLE FOR DIMENSIONS.

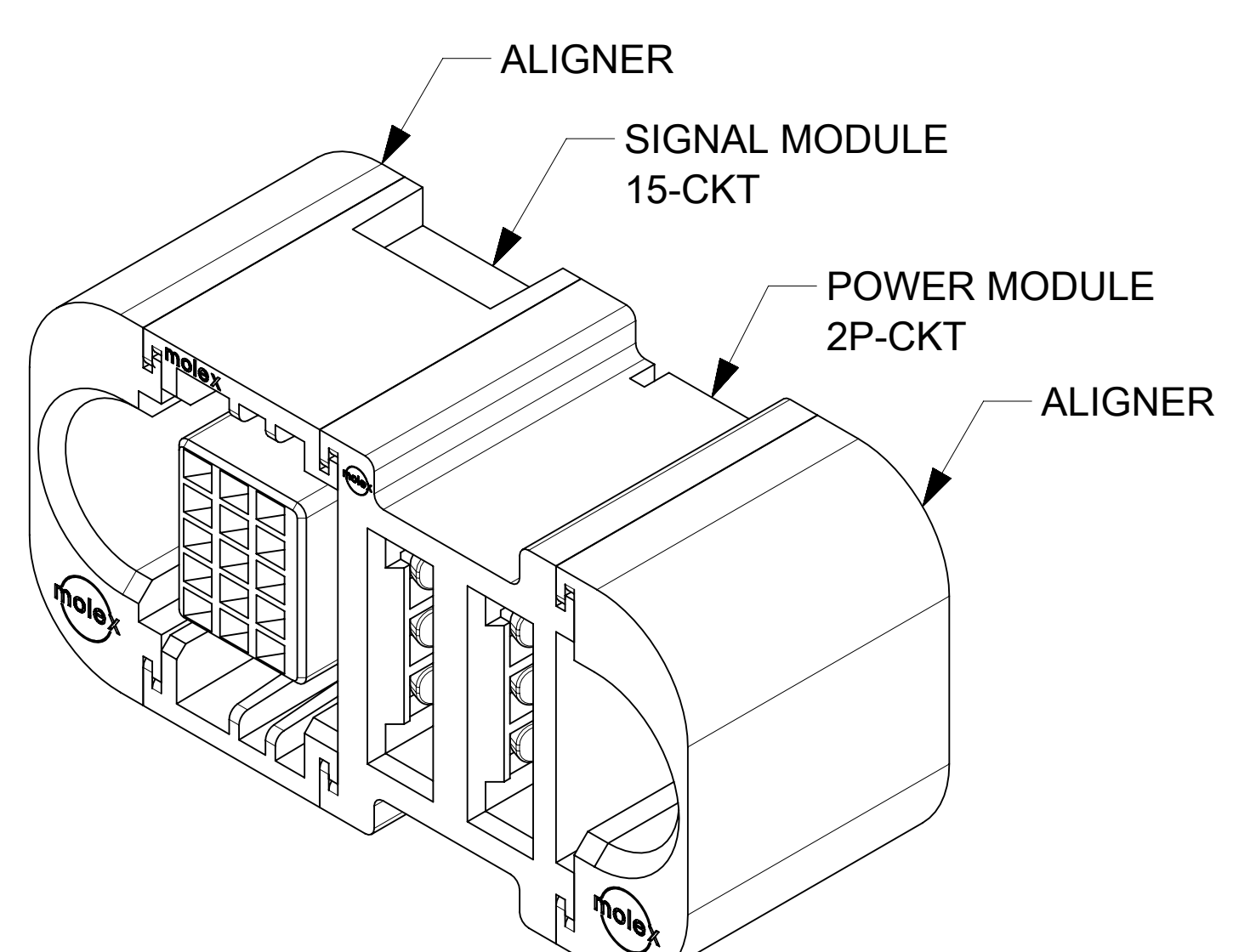
FG P/N	CONFIGURATION	POWER CKT SIZE	SIGNAL CKT SIZE	DIM "A" (IN MM)	DIM "B" (IN MM)	DIM "C" (IN MM)	DIM "X" (IN MM)	HOLES COUNT "H1"	HOLES COUNT "H2"	MATES WITH R/A PLUG ASSY P/N
465629311	G-1P-15S-G	1	15	30.71	31.71	8.28	18.06	08	15	464379311
465629312	G-2P-15S-G	2	15	36.21	37.21	13.78	23.56	16	15	464379312
465629313	G-3P-15S-G	3	15	41.71	42.71	19.28	29.06	24	15	464379313
465629314	G-4P-15S-G	4	15	47.21	48.21	24.78	34.56	32	15	464379314
465629315	G-5P-15S-G	5	15	52.71	53.71	30.28	40.06	40	15	464379315
465629316	G-1P-30S-G	1	30	36.71	37.71	8.28	24.06	08	30	464379316
465629317	G-2P-30S-G	2	30	42.21	43.21	13.78	29.56	16	30	464379317
465629318	G-3P-30S-G	3	30	47.71	48.71	19.28	35.06	24	30	464379318
465629319	G-4P-30S-G	4	30	53.21	54.21	24.78	40.56	32	30	464379319
465629320	G-5P-30S-G	5	30	58.71	59.71	30.28	46.06	40	30	464379320

THIS DRAWING CONTAINS INFORMATION THAT IS PROPRIETARY TO MOLEX ELECTRONIC TECHNOLOGIES, LLC AND SHOULD NOT BE USED WITHOUT WRITTEN PERMISSION

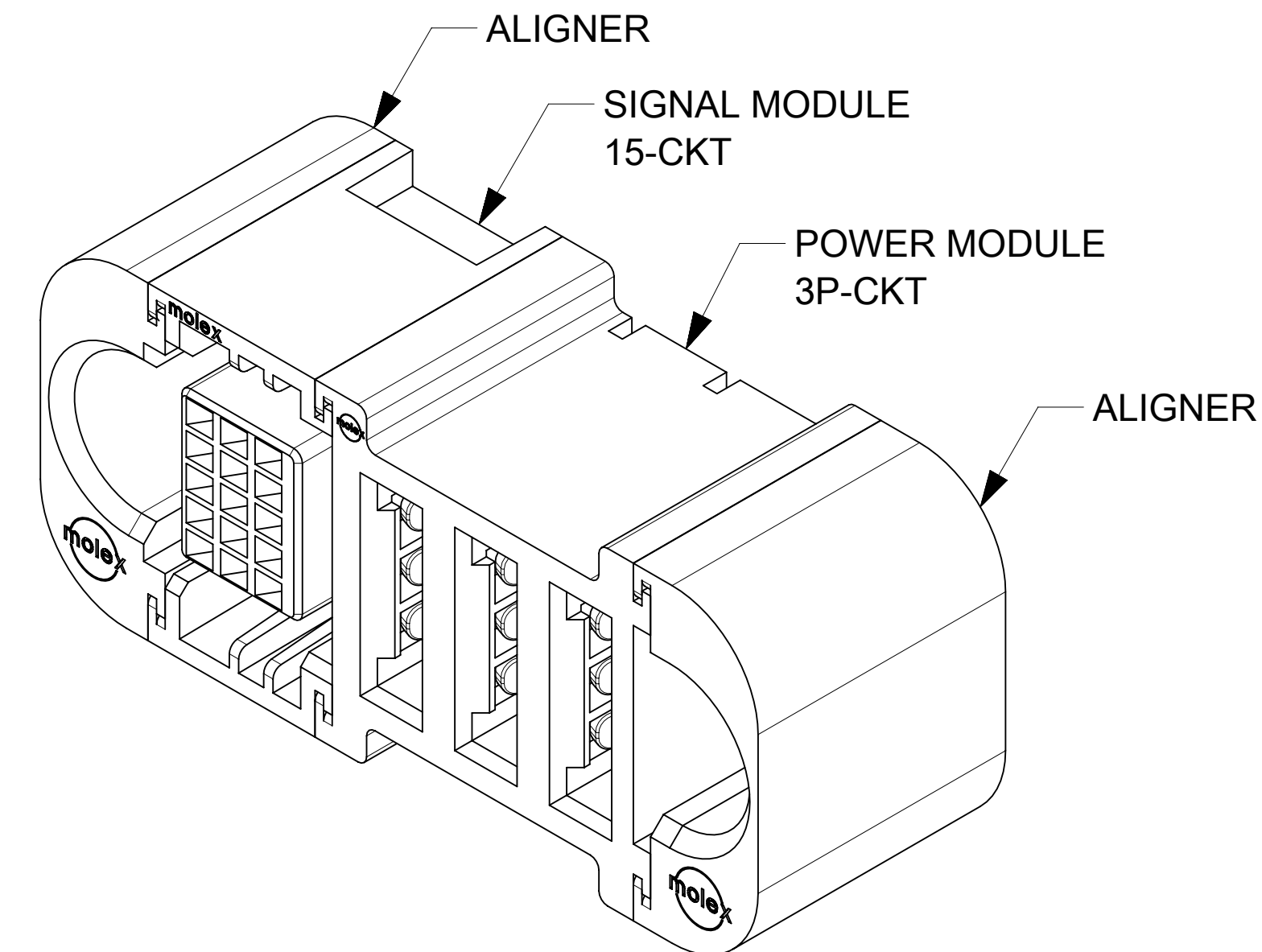
DIMENSION UNITS mm	SCALE 4:1	CURRENT REV DESC: ADDED ISOMETRIC VIEWS			
GENERAL TOLERANCES (UNLESS SPECIFIED)					
ANGULAR TOL ± 0.5°			G-*P-*S-G VERT RECEP ASSY - TEN60 POWER FAMILY		
4 PLACES ±		EC NO: 689821	PRODUCT CUSTOMER DRAWING		
3 PLACES ±		DRWN: HARSHG 2021/12/13	DOCUMENT NUMBER		
2 PLACES ± 0.13		CHK'D: GJEEVANSURES 2021/12/22	DOC TYPE		
1 PLACE ± 0.25		APPR: HTHYAGARAJ 2022/02/14	DOC PART		
0 PLACES ±		INITIAL REVISION:	REVISION		
		DRWN: KSUTAR 2021/08/16	465629320		
		APPR: HTHYAGARAJ 2021/10/21	PSD 000 A1		
DRAFT WHERE APPLICABLE MUST REMAIN WITHIN DIMENSIONS	THIRD ANGLE PROJECTION	DRAWING	MATERIAL NUMBER		
			CUSTOMER		
			SHEET NUMBER		
			SEE TABLE		
			GENERAL MARKET		
			2 OF 4		



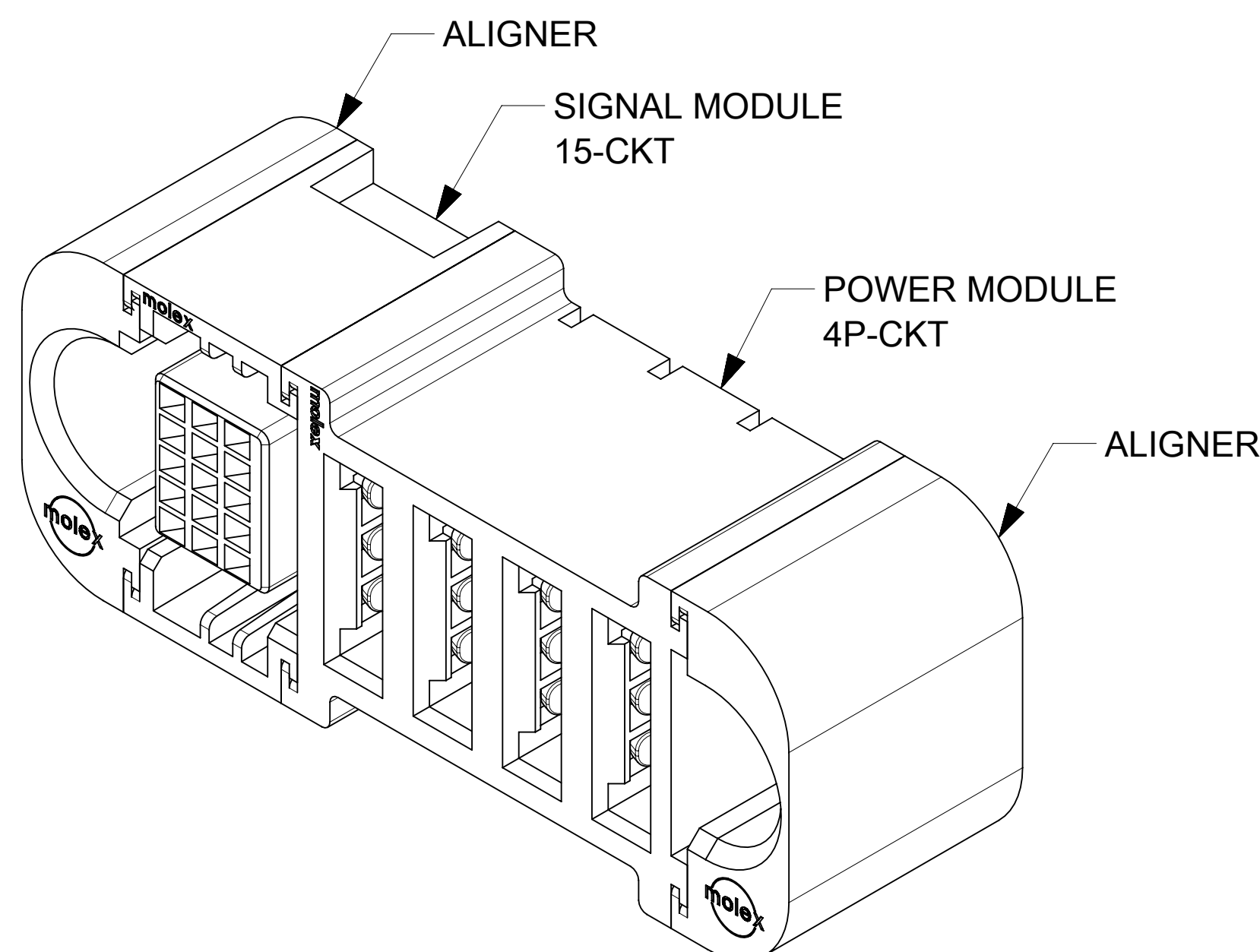
P/N : 46562-9311 (G-1P-15S-G)



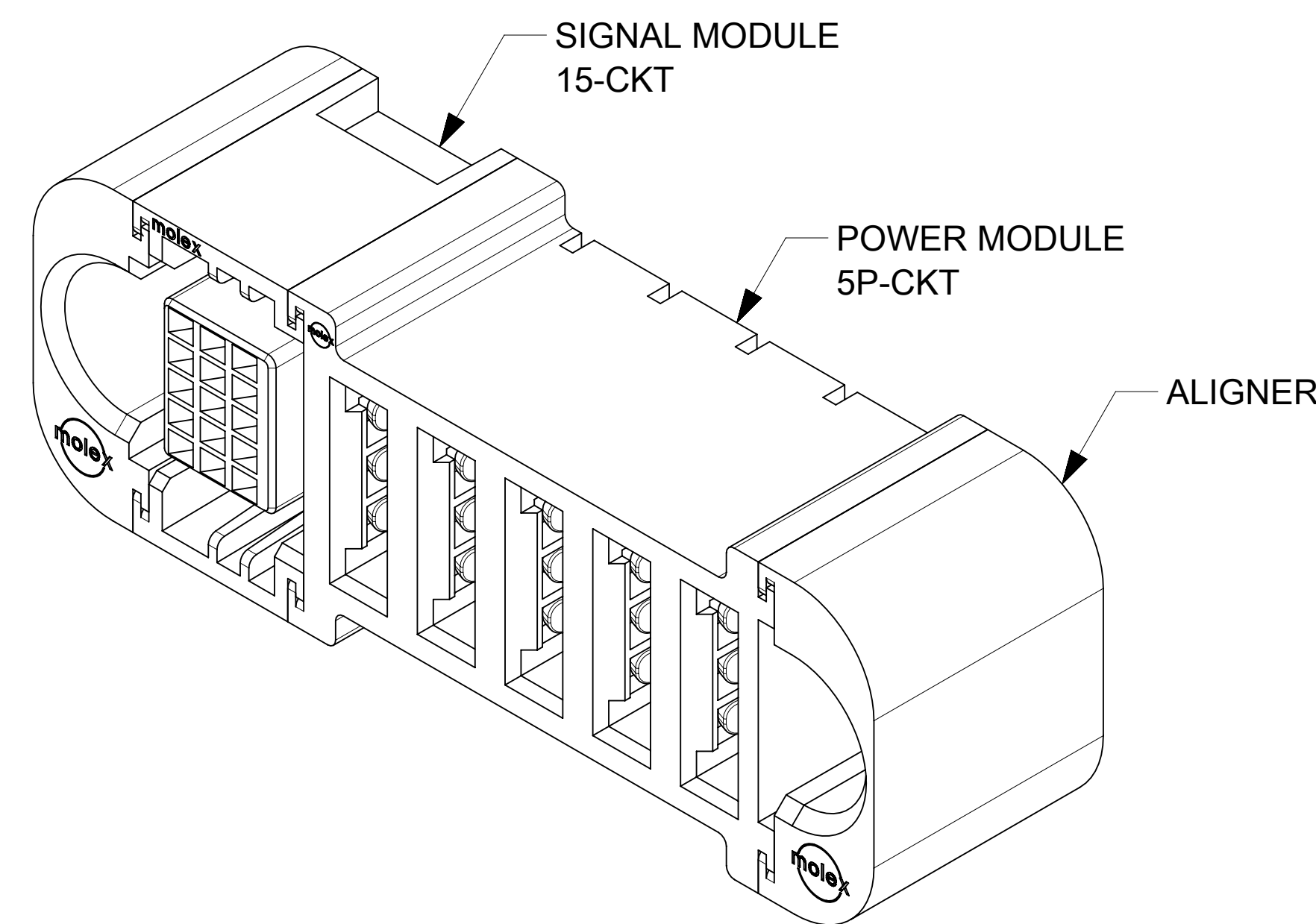
P/N : 46562-9312 (G-2P-15S-G)



P/N : 46562-9313 (G-3P-15S-G)

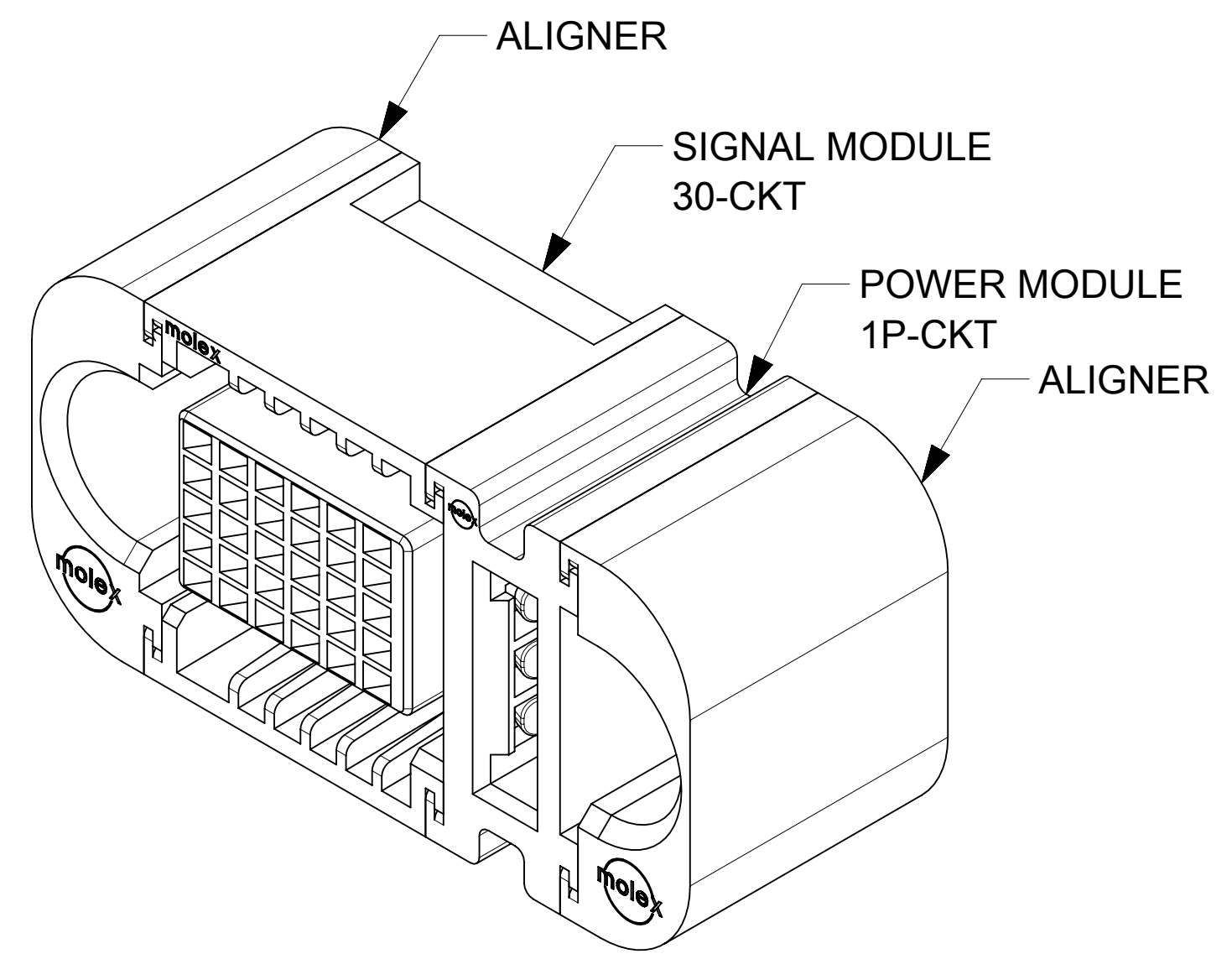


P/N : 46562-9314 (G-4P-15S-G)

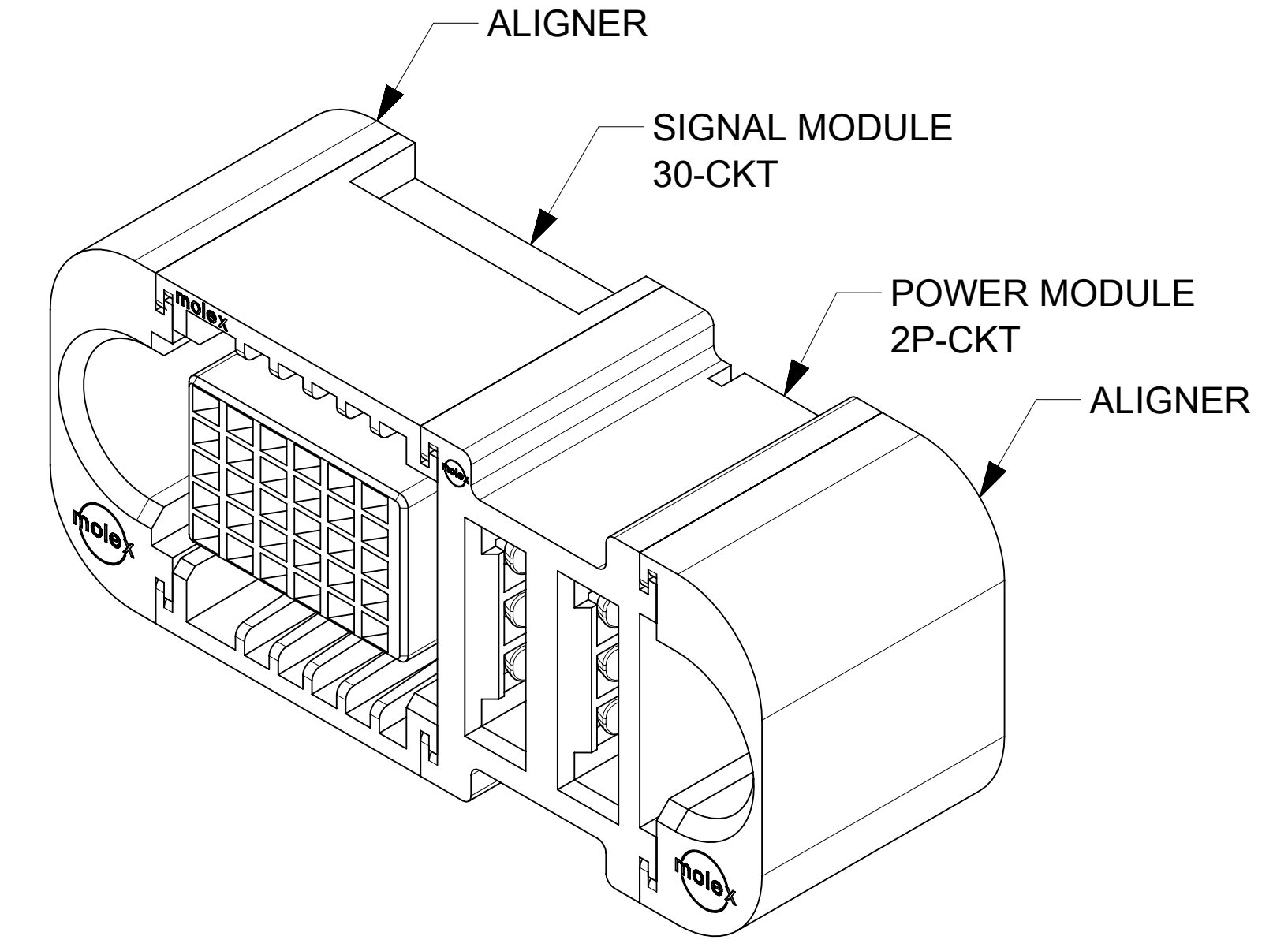


P/N : 46562-9315 (G-5P-15S-G)

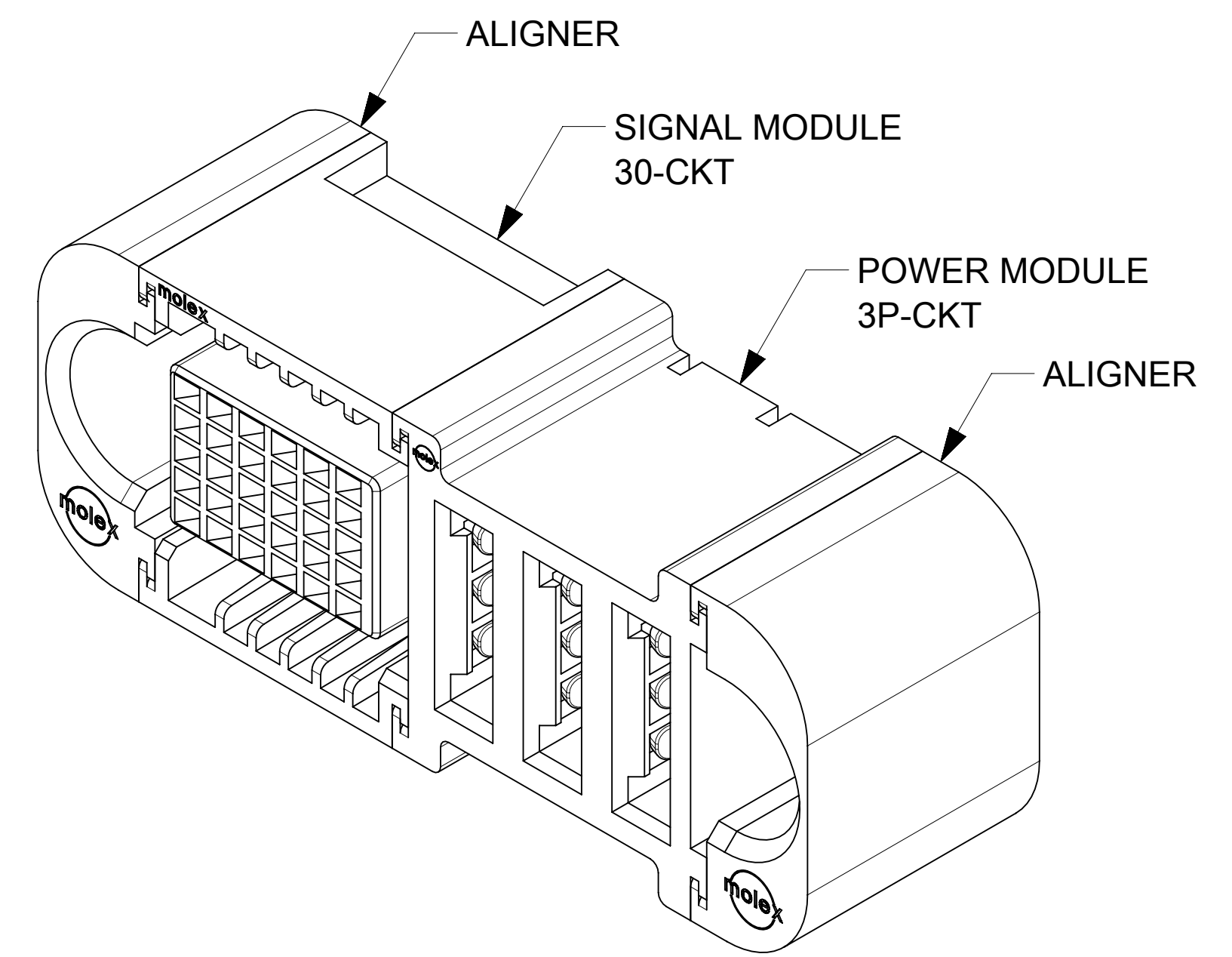
THIS DRAWING CONTAINS INFORMATION THAT IS PROPRIETARY TO MOLEX ELECTRONIC TECHNOLOGIES, LLC AND SHOULD NOT BE USED WITHOUT WRITTEN PERMISSION											
DIMENSION UNITS		SCALE		CURRENT REV DESC: ADDED ISOMETRIC VIEWS							
mm		4:1									
GENERAL TOLERANCES (UNLESS SPECIFIED)				EC NO: 689821		DRWN: HARSHG		2021/12/13		G-*P-*S-G VERT RECEP ASSY - TEN60 POWER FAMILY	
ANGULAR TOL ± 0.5°				DRWN: GJEEVANSURES		2021/12/22					
4 PLACES ±				APPR: HTHYAGARAJ		2022/02/14		PRODUCT CUSTOMER DRAWING			
3 PLACES ±				INITIAL REVISION:		DRWN: KSUTAR		2021/08/16		DOCUMENT NUMBER	
2 PLACES ± 0.13				DRWN: HTHYAGARAJ		2021/10/21		465629320		DOC TYPE DOC PART REVISION	
1 PLACE ± 0.25				APPR: HTHYAGARAJ				PSD 000		A1	
0 PLACES ±				DRAFT WHERE APPLICABLE MUST REMAIN WITHIN DIMENSIONS		THIRD ANGLE PROJECTION		DRAWING SERIES		MATERIAL NUMBER CUSTOMER SHEET NUMBER	
				D-SIZE		46562		SEE TABLE		GENERAL MARKET 3 OF 4	



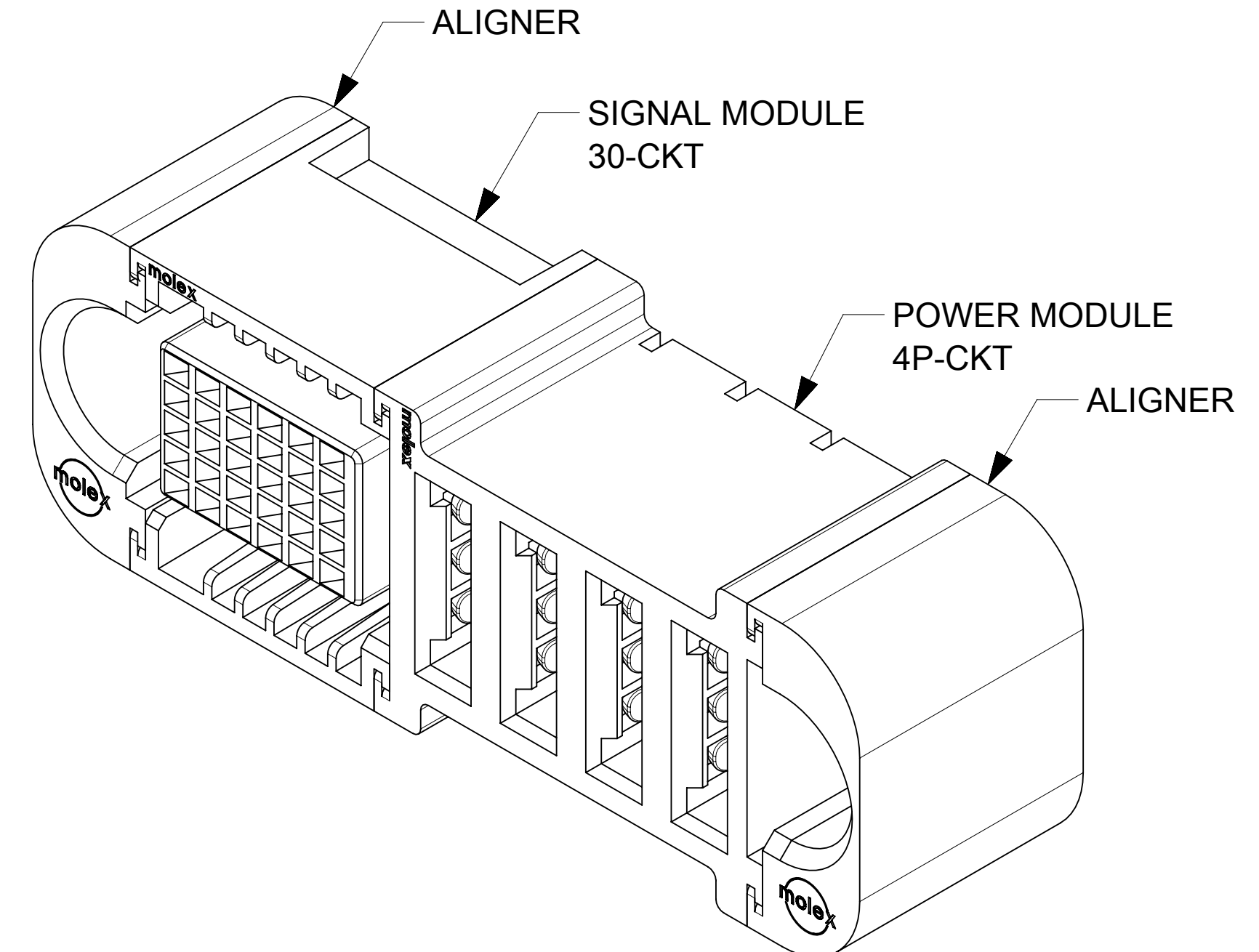
P/N : 46562-9316 (G-1P-30S-G)



P/N : 46562-9317 (G-2P-30S-G)



P/N : 46562-9318 (G-3P-30S-G)



P/N : 46562-9319 (G-4P-30S-G)

THIS DRAWING CONTAINS INFORMATION THAT IS PROPRIETARY TO MOLEX ELECTRONIC TECHNOLOGIES, LLC AND SHOULD NOT BE USED WITHOUT WRITTEN PERMISSION									
DIMENSION UNITS		SCALE		CURRENT REV DESC: ADDED ISOMETRIC VIEWS					
mm		4:1							
GENERAL TOLERANCES (UNLESS SPECIFIED)									
ANGULAR TOL		± 0.5°							
4 PLACES		±		EC NO: 689821					
3 PLACES		±		DRWN: HARSHG		2021/12/13			
2 PLACES		± 0.13		CHK'D: GJEEVANSURES		2021/12/22			
1 PLACE		± 0.25		APPR: HTHYAGARAJ		2022/02/14			
0 PLACES		±		INITIAL REVISION:					
DRAFT WHERE APPLICABLE		THIRD ANGLE PROJECTION		DRWN: KSUTAR		2021/08/16			
MUST REMAIN WITHIN DIMENSIONS		DRAWING		APPR: HTHYAGARAJ		2021/10/21			
		D-SIZE		SERIES					
		46562		MATERIAL NUMBER		CUSTOMER			
		SEE TABLE		GENERAL MARKET		SHEET NUMBER			
		4 OF 4							