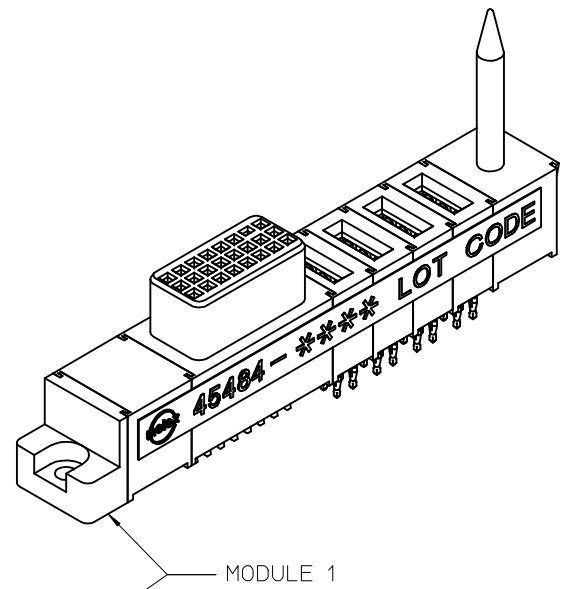
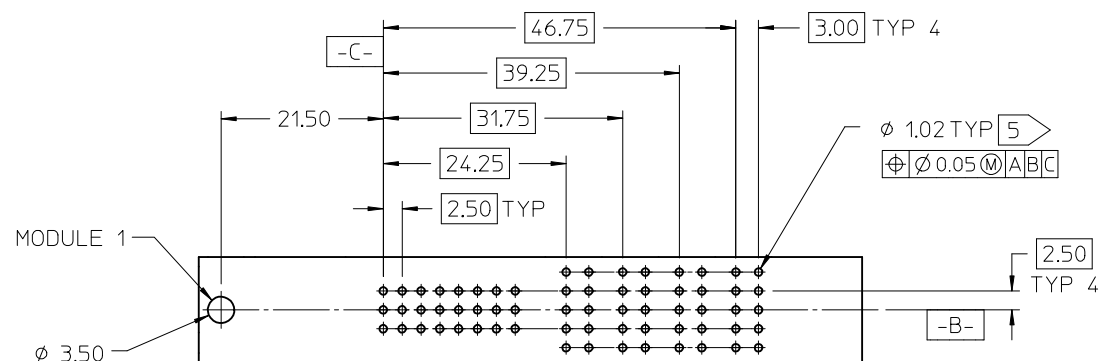


NOTES:

1. MATERIAL: LCP, GLASS FILLED, UL94V-0, BLACK.
CONTACTS: COPPER ALLOY
2. FINISH: SELECT GOLD: 30 MI MIN.
SELECT TIN: 100 MI MIN.
BOTH OVER NICKEL.
3. PRODUCT SPECIFICATION: PS-45424-001.
4. PACKAGING SPECIFICATION: PK-45484-001.
5. PCB HOLE SPECIFICATION: PS-45424-001.



PCB LAYOUT: COMPONENT SIDE
PCB THICKNESS: 2.36/0.93
PCB TOLERANCE: ±0.05/.002

ADD STANDOFF	DESCRIPTION
EC NO: UCP2006-0614	
DRWN: ADRTNOL 2005/09/27	
CHKD: KSAWIEC 2005/09/30	
APPR: APATEL 2005/09/30	
B	REV

GENERAL TOLERANCES (UNLESS SPECIFIED)	
	mm
4 PLACES	± ---
3 PLACES	± ---
2 PLACES	± 0.25
1 PLACE	± 0.38
ANGULAR ±1/2°	
DRAFT WHERE APPLICABLE MUST REMAIN WITHIN DIMENSIONS	

DIMENSION STYLE	
MM/IN	
DRAWN BY	DATE
DRATNOL	2004/11/11
CHECKED BY	DATE
SAMIEC	2004/11/11
APPROVED BY	DATE
MARGULIS	2004/11/11
MATERIAL NO.	
45484-0106	
SIZE	
A	

PD 500	PD 513	PD 401	PD 200	PD 200	PD 200	PD 200	PD 503
--------	--------	--------	--------	--------	--------	--------	--------

SCALE	DESIGN UNITS	THIRD ANGLE PROJECTION	
1:1	METRIC		
TITLE			
POWER DOCK ASSEMBLY SOCKET VERTICAL CPI			
molex MOLEX INCORPORATED			
DOCUMENT NO.			SHEET NO.
SD-45484-106			1 OF 1
THIS DRAWING CONTAINS INFORMATION THAT IS PROPRIETARY TO MOLEX INCORPORATED AND SHOULD NOT BE USED WITHOUT WRITTEN PERMISSION			