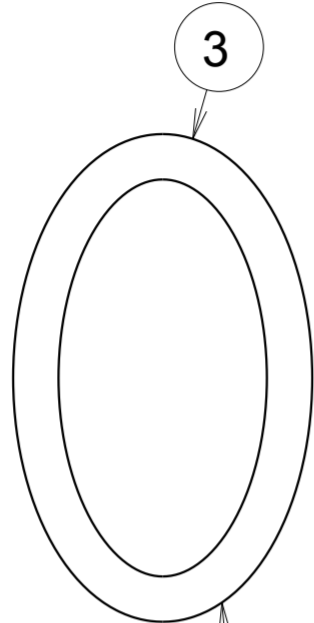
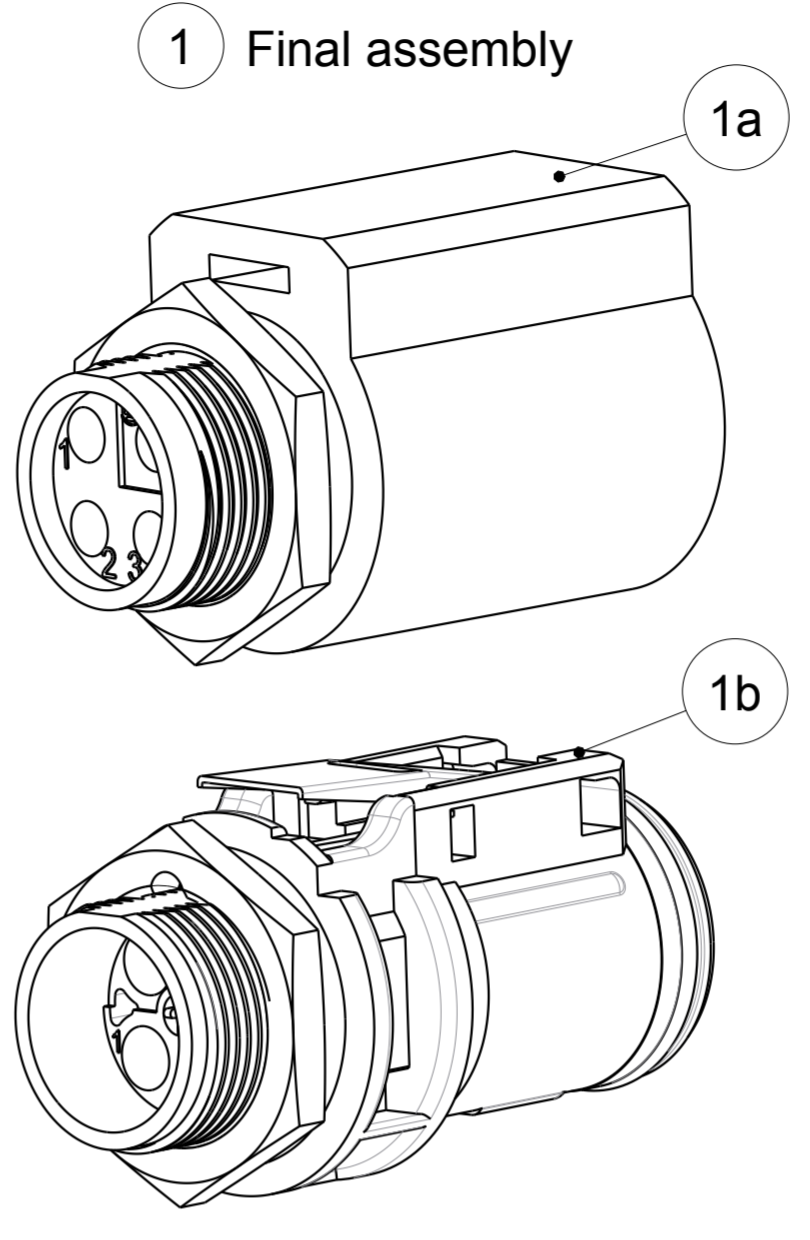
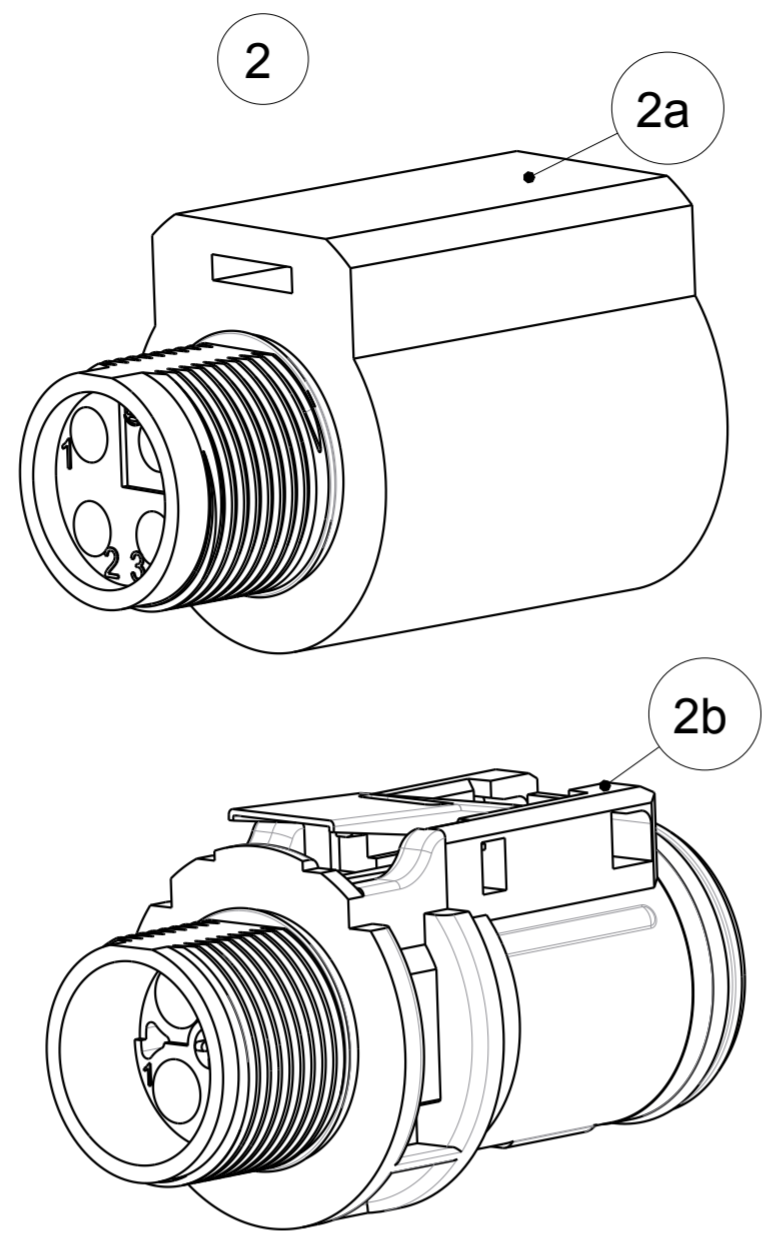


Nut
Material : Al alloy
Black anodized



O'Ring
Material : NBR, Black color
Dimension : $\varnothing 17 \text{ mm} \times \varnothing 2 \text{ mm}$



PART NUMBER TABLE

1 Final assembly		2 Connector		3 O'Ring	4 Nut
1a	UTL7103G1P(03)	2a	UTL1103G1P(03)(B)	UTL10SEAL	UTL10NUT
	UTL7103G1S(03)		UTL1103G1S(03)(B)		
1b	UTL5103G1P	2b	UTL6TH103G1P(B)		
	UTL5103G1S		UTL6TH103G1S(B)		

- 2 3 4 have to be ordered separately
- 3 and 4 are packed by 1000 pieces per bag
- For more details please refer to relevant drawing of 1 and 2
- For ordering in bulk packaging, without nut and screw, refer to UTL*B

Country	Jurisdiction & Control List
FR	NOT LISTED

P/N : SEE TABLE

D	11/04/2018	(B) added to allow bulk packaged connector shipping	24928
ISS	DATE	Latest modification - by:	COURTOIS L. MOD N°
Designed by:		COURTOIS L. Date: 13/11/2017	CUSTOMER DRAWING
TITLE		UTL assembly accessories for panel mounting SIZE 10	
Scale	2/1	General linear Tolerances: ± 0.1	NPRDS / PROJECT IC173802A
SOURIAU		WWW.SOURIAU.COM	
This document is the property of SOURIAU It must not be reproduced or communicated without permission			
FORMAT	A2	SOURIAU DRG N° UTL1-0105A-C	SHEET 1 / 1

SOURIAU shall not be liable for any non-conformity or damage due to a use of the Products which does not comply with the Specifications issued by either of the Parties or by a third party (professional recommendation, technical notice.)