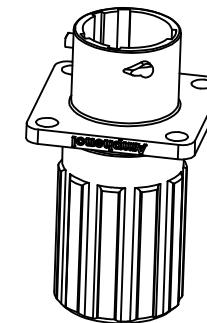
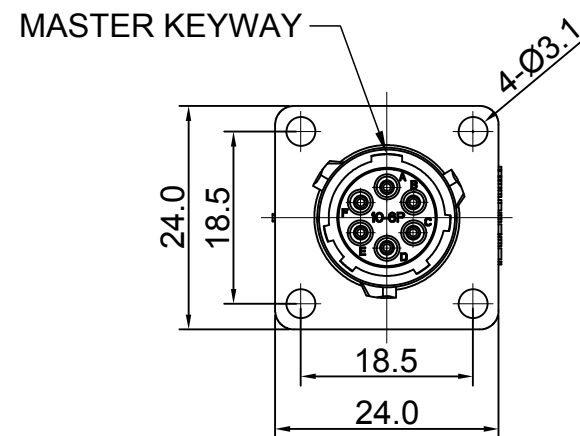
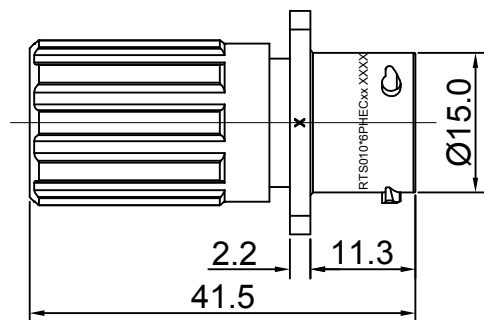
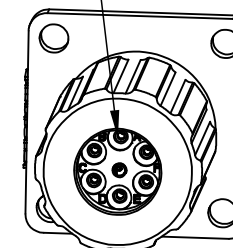


| REVISIONS | | | | | |
|-----------|-----|--------------------------------|-------------|-------|-------|
| REV | ECO | DESCRIPTION | DATE | BY | APPR |
| A1 | -- | FIRST RELEASED | Jul-01-2017 | Nick | Tommy |
| A2 | -- | UPDATE PANEL CUT OUT REFERENCE | Aug.08.2017 | Nick | Tommy |
| A3 | -- | UPDATE DRAWING | Mar-19-2018 | White | Tommy |
| A4 | -- | UPDATE DRAWING | Apr-10-2018 | White | Tommy |



SEALING PLUGS CAN BE PURCHASED SEPARATELY



NOTES : (UNLESS OTHERWISE SPECIFIED)

1. MATERIAL :

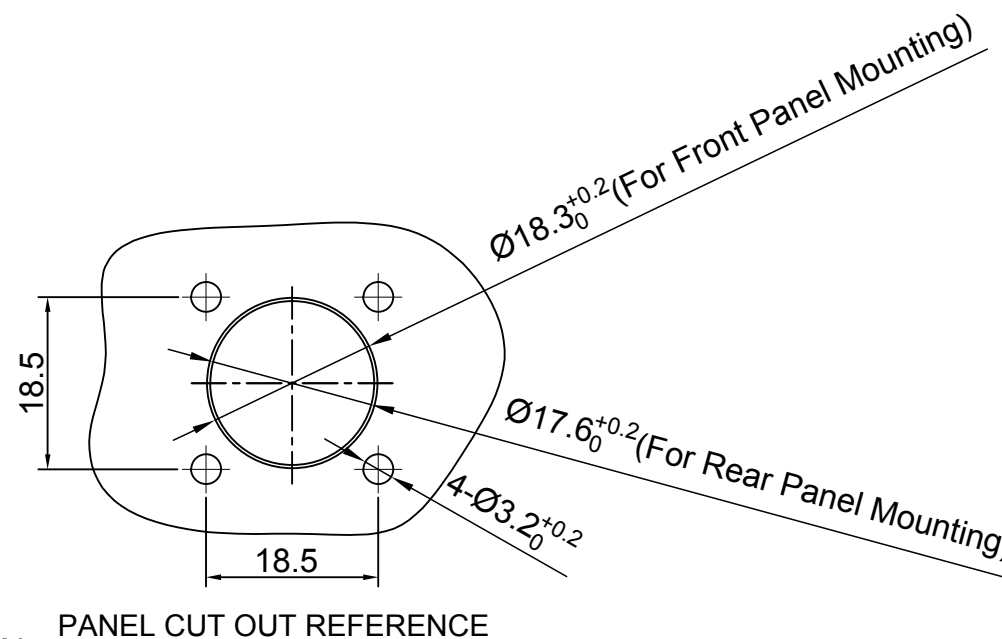
- SHELL : THERMOPLASTIC , UL94 V-0.
- INSERT : THERMOPLASTIC , UL94 V-0.
- O-RING : NBR OR SILICONE RUBBER.
- SEAL GASKET : NBR OR SILICONE RUBBER.
- END CAP : THERMOPLASTIC , UL94 V-0.
- PLASTIC RING:THERMOPLASTIC , UL94 V-0.
- WIRE SEAL : SILICONE RUBBER.

2. SPECIFICATIONS :

- 2.1 RATED CURRENT :
 - 2.1.1 STAMPED CONTACT 5A (MAX).
 - 2.1.2 MACHINED CONTACT 7.5A (MAX).
- 2.2 RATED VOLTAGE : 250V(AC/DC).
- 2.3, OPERATING TEMPERATURE : SEE TABLE.
- 2.4, DIELECTRIC WITHSTANDING VOLTAGE : LESS THAN 2 MILLIAMPS CURRENT LEAKAGE@2000 VOLTS AC.
- 2.5, INSULATION RESISTANCE : 5000 MEGOHMS MIN.
- 2.6, IP-CLASS : IP67 AND IP69K IN THE MATED CONDITION, WIRE SEALS FULLY POPULATED.
- 2.7, MATING CYCLES DURABILITY : 500 CYCLES MIN.
- 2.8, RoHS COMPLIANT.

3. SUITABLE CONTACTS : 20# CONTACT.

4. ALL DIMENSIONS ARE FOR REFERENCE USE ONLY.



| KEY | PART NUMBER | |
|-----|--------------|----------------|
| | | -40°C ~ 105°C |
| N | RTS010N6PHEC | RTS010N6PHEC03 |

| QUANTITY | PART NUMBER | DESCRIPTION | ITEM | | | | | | | | | | |
|--|-------------|---|----------|------------|-------|--------------|-------------|--------------|-------------|----------------|----|-----------------|-------------|
| MATERIALS LIST | | | | | | | | | | | | | |
| UNLESS OTHERWISE SPECIFIED 1) All dimensions are in metric(mm). 2) Tolerances are as follows: 1 PL DEC ±0.30 Fractions ±1/64 2 PL DEC ±0.15 Angles ±1° 3 PL DEC ±0.08 | | <table border="1"> <thead> <tr> <th>SIGNATURES</th> <th>DATE</th> </tr> </thead> <tbody> <tr> <td>DRAWN: White</td> <td>Apr-10-2018</td> </tr> <tr> <td>CHECKED: Tod</td> <td>Apr-10-2018</td> </tr> <tr> <td>ENGINEER:</td> <td></td> </tr> <tr> <td>APPROVAL: Tommy</td> <td>Apr-10-2018</td> </tr> </tbody> </table> | | SIGNATURES | DATE | DRAWN: White | Apr-10-2018 | CHECKED: Tod | Apr-10-2018 | ENGINEER: | | APPROVAL: Tommy | Apr-10-2018 |
| SIGNATURES | DATE | | | | | | | | | | | | |
| DRAWN: White | Apr-10-2018 | | | | | | | | | | | | |
| CHECKED: Tod | Apr-10-2018 | | | | | | | | | | | | |
| ENGINEER: | | | | | | | | | | | | | |
| APPROVAL: Tommy | Apr-10-2018 | | | | | | | | | | | | |
| MATERIAL SPECIFICATIONS: | | <h1>Amphenol</h1> <p>Sine Systems - www.amphenol-sine.com 44724 Morley Drive Clinton Township, MI 48036</p> | | | | | | | | | | | |
| PROCESS SPECIFICATIONS: | | <p>ECO-MATE, RECEPTACLE, END CAP, FLANGE, SIZE 10, 6 POS, PIN</p> | | | | | | | | | | | |
| NEXT ASSY: | | <table border="1"> <thead> <tr> <th>SIZE</th> <th>TYPE</th> <th>DWG NO:</th> <th>REVISION</th> </tr> </thead> <tbody> <tr> <td>B</td> <td>C-</td> <td>RTS010*6PHECxx</td> <td>A4</td> </tr> </tbody> </table> | | SIZE | TYPE | DWG NO: | REVISION | B | C- | RTS010*6PHECxx | A4 | | |
| SIZE | TYPE | DWG NO: | REVISION | | | | | | | | | | |
| B | C- | RTS010*6PHECxx | A4 | | | | | | | | | | |
| | | <table border="1"> <thead> <tr> <th>SCALE</th> <th>SHEET</th> <th>OF</th> <th>1</th> </tr> </thead> <tbody> <tr> <td>NONE</td> <td>1</td> <td>1</td> <td>1</td> </tr> </tbody> </table> | | SCALE | SHEET | OF | 1 | NONE | 1 | 1 | 1 | | |
| SCALE | SHEET | OF | 1 | | | | | | | | | | |
| NONE | 1 | 1 | 1 | | | | | | | | | | |

TITLE: ECO-MATE, RECEPTACLE, END CAP, FLANGE, SIZE 10, 6 POS, PIN

DWG NO:

RTS010*6PHECxx

REV: A4

SH: 1

OF: 1

ecomate® RM/RSSM/Aquarius™ - Contact Size 20 Options

| Crimp Contacts, Machined | | | | |
|--------------------------|------------|-------|-------------------------------|------------|
| Part Number | | AWG | Wire Range (mm ²) | Plating |
| Male | Female | | | |
| MP20W23F | MS20W23F | 22-20 | 0.34-0.50 | Gold Flash |
| MP20W23G5 | MS20W23G5 | 22-20 | 0.34-0.50 | Gold 5µ" |
| MP20W23G10 | MS20W23G10 | 22-20 | 0.34-0.50 | Gold 10µ" |
| MP20W23G15 | MS20W23G15 | 22-20 | 0.34-0.50 | Gold 15µ" |
| MP20W23G30 | MS20W23G30 | 22-20 | 0.34-0.50 | Gold 30µ" |
| MP24W23F | MS24W23F | 26-24 | 0.13-0.25 | Gold Flash |
| MP24W23G5 | MS24W23G5 | 26-24 | 0.13-0.25 | Gold 5µ" |
| MP24W23G10 | MS24W23G10 | 26-24 | 0.13-0.25 | Gold 10µ" |
| MP24W23G15 | MS24W23G15 | 26-24 | 0.13-0.25 | Gold 15µ" |
| MP24W23G30 | MS24W23G30 | 26-24 | 0.13-0.25 | Gold 30µ" |
| MP28W23F | MS28W23F | 30-28 | 0.05-0.08 | Gold Flash |
| MP28W23G5 | MS28W23G5 | 30-28 | 0.05-0.08 | Gold 5µ" |
| MP28W23G10 | MS28W23G10 | 30-28 | 0.05-0.08 | Gold 10µ" |
| MP28W23G15 | MS28W23G15 | 30-28 | 0.05-0.08 | Gold 15µ" |
| MP28W23G30 | MS28W23G30 | 30-28 | 0.05-0.08 | Gold 30µ" |

| Tooling, Machined | |
|-------------------|--|
| Part Number | Description |
| QXRT20 | Contact Extraction Tool, #20 (Ø 1.0) Contact |
| MFY-3959 | Hand Crimp Tool for Machined Contacts |
| MFY-3960 | Pneumatic Crimp Tool for Machined Contact |

| Plating Options, All | |
|----------------------|--|
| Symbol | Plating |
| T | Tin Plated (for Stamped & Formed Contacts) |
| S | Silver Plated 5Um (for Machined Contacts) |
| F | Gold Plated |
| G5 | Gold Plated (Thickness 5µ") |
| G10 | Gold Plated (Thickness 10µ") |
| G15 | Gold Plated (Thickness 15µ") |
| G30 | Gold Plated (Thickness 30µ") |

| Crimp Contacts, Stamped & Formed | | | | |
|----------------------------------|-----------|-------|-------------------------------|------------|
| Part Number | | AWG | Wire Range (mm ²) | Plating |
| Male | Female | | | |
| SP20W2F | SS20W2F | 22-20 | 0.34-0.50 | Gold Flash |
| SP20W2G5 | SS20W2G5 | 22-20 | 0.34-0.50 | Gold 5µ" |
| SP20W2G10 | SS20W2G10 | 22-20 | 0.34-0.50 | Gold 10µ" |
| SP20W2G15 | SS20W2G15 | 22-20 | 0.34-0.50 | Gold 15µ" |
| SP20W2G30 | SS20W2G30 | 22-20 | 0.34-0.50 | Gold 30µ" |
| SP24W2F | SS24W2F | 26-24 | 0.14-0.25 | Gold Flash |
| SP24W2G5 | SS24W2G5 | 26-24 | 0.14-0.25 | Gold 5µ" |
| SP24W2G10 | SS24W2G10 | 26-24 | 0.14-0.25 | Gold 10µ" |
| SP24W2G15 | SS24W2G15 | 26-24 | 0.14-0.25 | Gold 15µ" |
| SP24W2G30 | SS24W2G30 | 26-24 | 0.14-0.25 | Gold 30µ" |
| SP28W2F | SS28W2F | 30-28 | 0.05-0.08 | Gold Flash |
| SP28W2G5 | SS28W2G5 | 30-28 | 0.05-0.08 | Gold 5µ" |
| SP28W2G10 | SS28W2G10 | 30-28 | 0.05-0.08 | Gold 10µ" |
| SP28W2G15 | SS28W2G15 | 30-28 | 0.05-0.08 | Gold 15µ" |
| SP28W2G30 | SS28W2G30 | 30-28 | 0.05-0.08 | Gold 30µ" |

| Tooling, Stamped & Formed | |
|---------------------------|--|
| Part Number | Description |
| QXRT20 | Contact Extraction Tool, #20 (Ø 1.0) Contact |
| MFY-3958 | Hand Tool, Stamped & Formed Contact, Size 20, 20-28AWG |
| MFY-3957 | Crimp Die for Stamped & Formed Contact |

| Misc Tooling, All | |
|-------------------|----------------------------|
| Part Number | Description |
| CA-4020-59 | Sealing Plug, Size 16 & 20 |

| Standard Quantity Order Options | |
|---------------------------------|-------------------|
| Machined | Stamped & Formed |
| Bulk Package, 500 Pieces | Reel, 3000 Pieces |