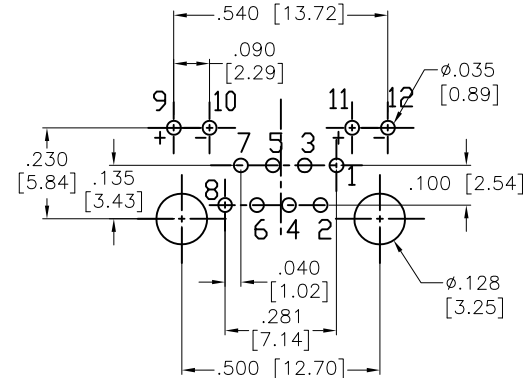
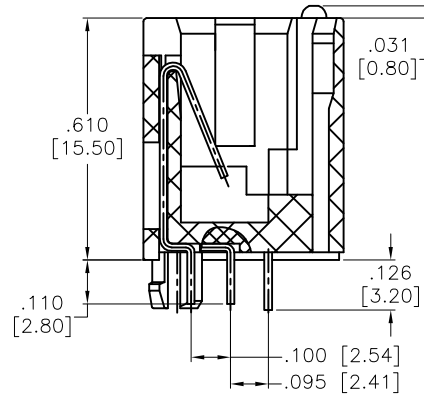
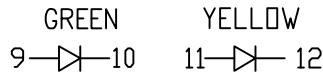
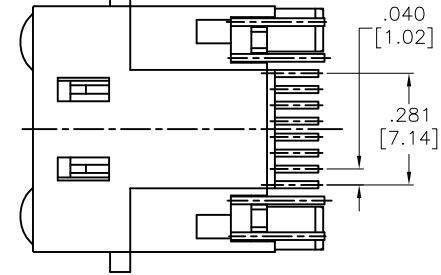
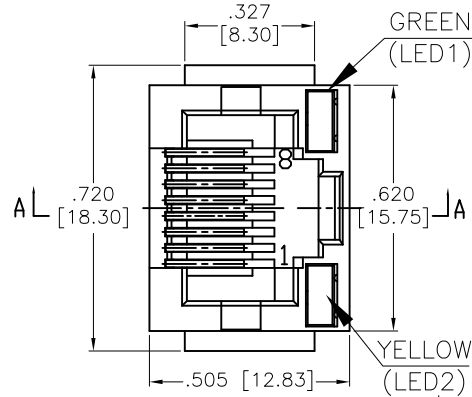
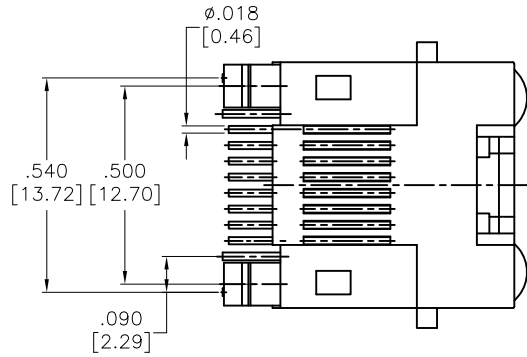


APPROVED: \_\_\_\_\_  
 DATE: \_\_\_\_\_ TITLE: \_\_\_\_\_

Rev	AWO #	Description	Date	Appr
-		RELEASED	11/2/12	
A		UPDATE SPEC.	11/2/15	AY
B		UPDATE DIM.	8/30/18	AY/RC



SECTION A-A

RECOMMENDED P.C.B LAYOUT

SPECIFICATIONS:

Material:  
 Insulator: PBT, rated UL 94V-0  
 Insulator color: Black  
 Contacts: Phosphor Bronze  
 Plating:  
 Round contact  
 Gold over Nickel underplate overall  
 Flat contact  
 Gold over Nickel underplate on contact area,  
 Tin over Nickel underplate on solder tails

Electrical:  
 Voltage rating: 125 VAC RMS  
 Current rating: 1.5 Amp  
 Contact resistance: 20 mohms max  
 Insulation resistance: 1000 Mohms min @ 500 VDC  
 Dielectric withstanding voltage: 1000 VAC or 1500 VDC rms for 1 minute  
 Temperature Rating:  
 Operating temperature: -40°C to +85°C  
 Environmental:  
 Lead free, RoHS compliant.



UNLESS OTHERWISE SPECIFIED  
 ALL DIMENSIONS ARE INCHES [MM]  
 TOLERANCES: EXCEPT AS NOTED

INCHES		HOLES	
.X	± .10	Ø.X	± .10
.XX	± .020	Ø.XX	± .015
.XXX	± .015	Ø.XXX	± .010

**ADAM TECH** INTERCONNECTS  
 909 Rahway Avenue,  
 Union, NJ 07083  
 Phone: 908-687-5000  
 Fax: 908-687-5710

APPROVALS		DATE
DRAWN	AY	11/2/12
CHECKED	GH	11/2/12
APPROVED		

TITLE		
MODULAR TELEPHONE JACK, 8P8C, PCB TYPE W/LED1 GREEN, LED2 YELLOW		
SIZE	PART NO.	REV.
X	MTJ-88DX1-LH	B
REF:	S00005C	SCALE: NTS
		SHEET 1 OF 1