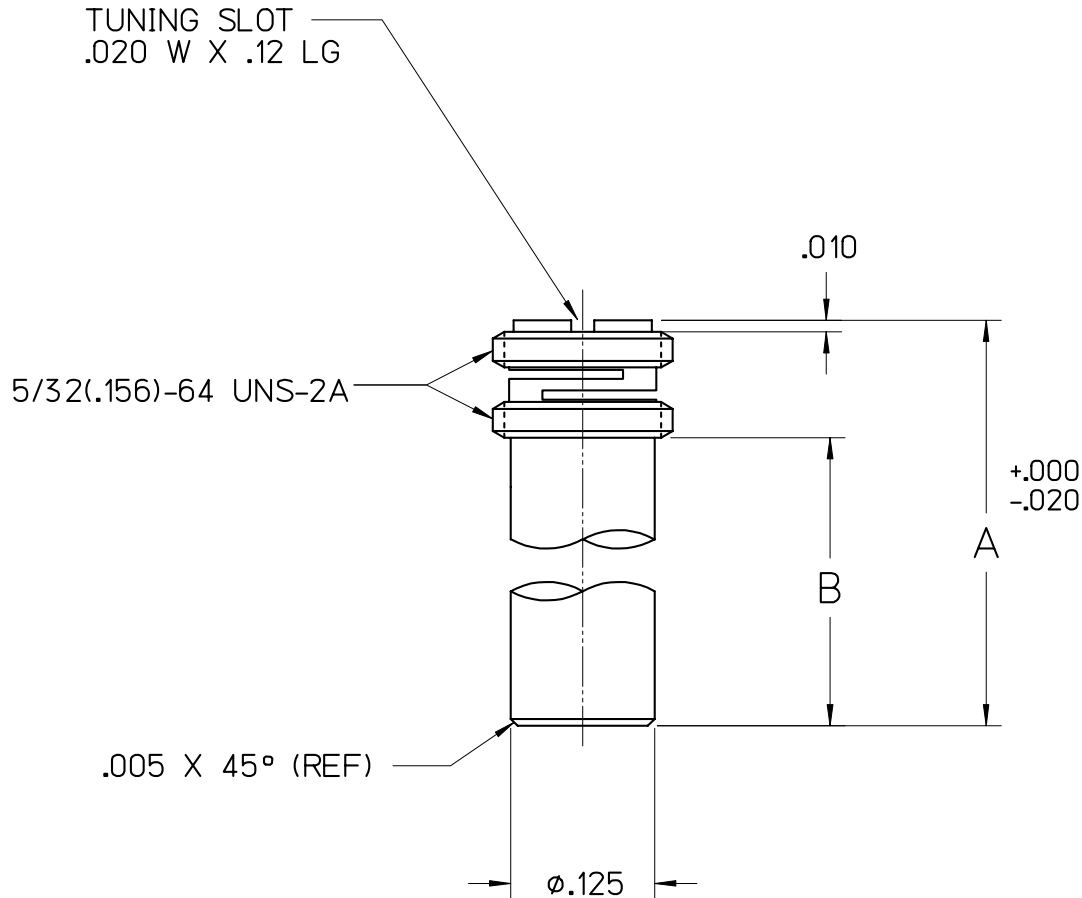


MI DRG. NO. L6996-#B(SH2) REV.

L6996 DASH NO. **B**

TUNING ROTOR

SPECIFICATIONS		FILE: AIROUT
PRE-TORQUED AND LUBRICATED THREADS		
FINISH	JOHANSON STANDARD CHROMATE CONVERSION	
MOUNTING	JMC TAP P/N 7059 (.156-64 UNS-2)	
BRASS STRUCTURE		
APPLICATIONS: FOR HIGH Q VARIABLE REACTANCE TUNING OF MICROWAVE CAVITIES, FILTERS, AND OTHER RESONANT STRUCTURES.		



PART NO.	A	B
L6996-25	.245	.143
L6996-26	.300	.198
L6996-27	.350	.248
L6996-28	.400	.298
L6996-29	.450	.348
L6996-31	.271	.169

B	10/28/14	RJV	RJV	10/28/14	MAI	001277
A	1/22/04	RJV	-	-	-	000072
LEVEL	DATE	DRN.	CHK.	APP.	ECN	

REVISIONS

DRN.	CHK.	APP.	SCALE
RJV	RJV	JHT	6" \approx 1"
DATE	DATE	DATE	.XX \pm .015
1/22/04	1/26/04	1/26/04	.XXX \pm .005



JOHANSON MANUFACTURING CORPORATION
 ROCKAWAY VALLEY ROAD, BOONTON, N.J. 07005 (973)334-2676 FAX (973)334-2954
 ELECTRONIC ACCURACY THROUGH MECHANICAL PRECISION

PROPRIETARY INFORMATION CONTAINED NOT TO BE USED WITHOUT JOHANSON MANUFACTURING CORPORATION APPROVAL