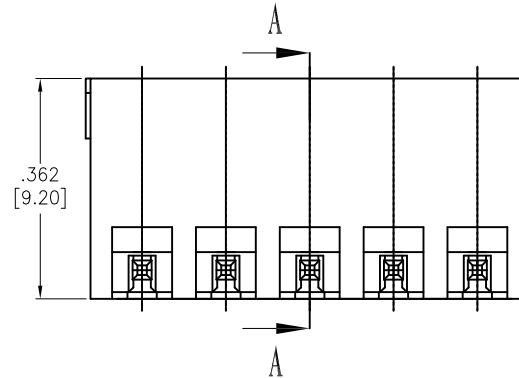
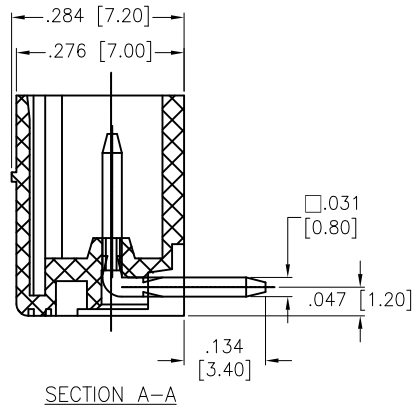
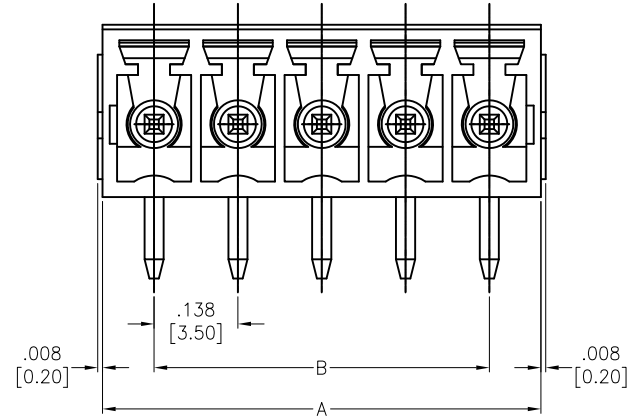
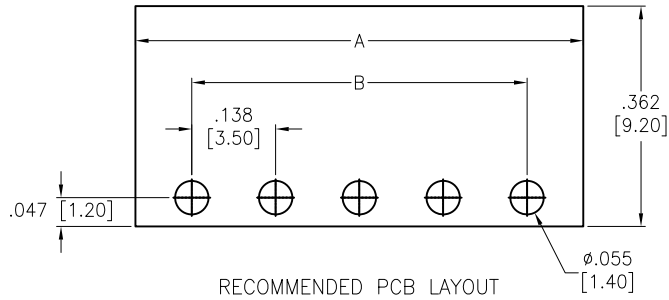


APPROVED: \_\_\_\_\_  
 DATE: \_\_\_\_\_ TITLE: \_\_\_\_\_

Rev	AWO #	Description	Date	Appr
-		RELEASED	6/23/14	
A		REVISED LAYOUT DIM.	11/25/14	AY/MY
B		UPDATED DRAWING	5/11/18	HR/NP



**SPECIFICATIONS:**

Material:  
 Insulator: PA66, rated UL 94V-0  
 Insulator color: Green  
 Contact: Brass, Tin plated  
 Electrical:  
 Voltage rating: 300 V  
 Current rating: 8 A  
 Contact resistance: 20 mohms  
 Insulation resistance: 500 Mohms @ 500 VDC  
 Dielectric withstanding voltage: 2,000 VAC for 1 minute  
 Temperature Rating:  
 -40°C to +105°C  
 Environmental:  
 Lead free, RoHS compliant.



Positions: 02 thru 24

A= .138 [3.50] x No. of Spaces + .169 [4.30]

B= .138 [3.50] x No. of Spaces

UNLESS OTHERWISE SPECIFIED ALL DIMENSIONS ARE INCHES [MM] TOLERANCES: EXCEPT AS NOTED INCHES HOLES .X ± .10 Ø.X ± .10 .XX ± .020 Ø.XX ± .015 .XXX ± .015 Ø.XXX ± .010		<b>ADAM TECH</b> INTERCONNECTS		909 Rahway Avenue, Union, NJ 07083 Phone: 908-687-5000 Fax: 908-687-5710	
APPROVALS		DATE		TITLE	
DRAWN	AC	6/23/14		TERMINAL BLOCK, RIGHT ANGLE, .138" [3.50] PITCH	
CHECKED	SC	6/23/14		SIZE	PART NO.
APPROVED				X	EBSA-XX-A
		REF:	S00067C	SCALE:	NTS
				SHEET	1 OF 1

6

5

4

3

2

1

6

5

4

3

2

1