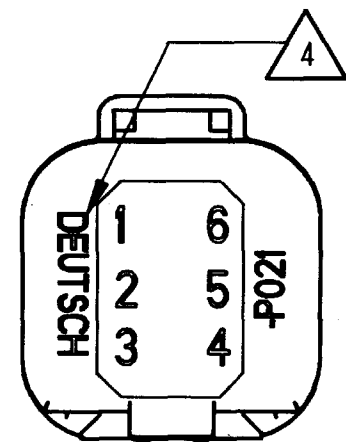
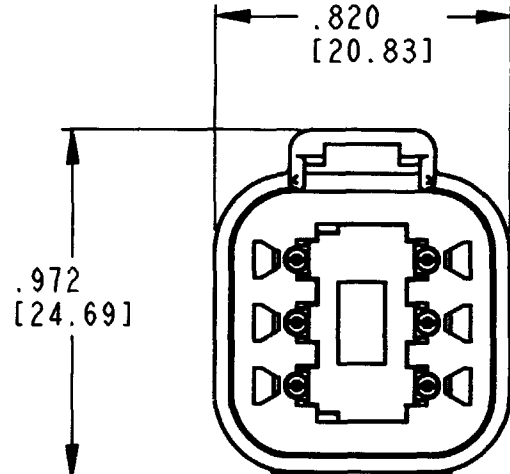
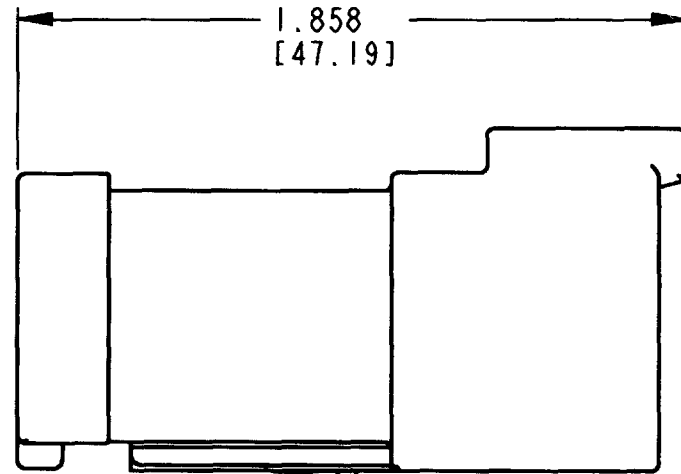
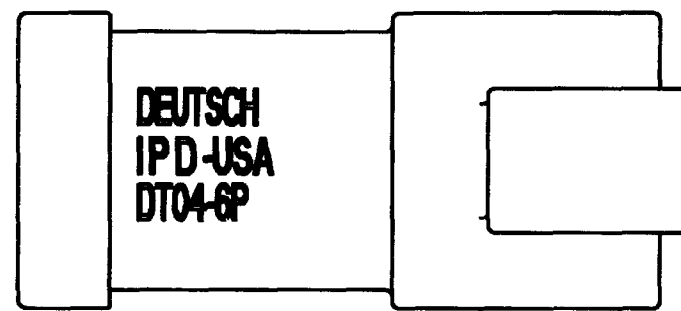


3D VIEW



REV
NC DT04-6P-P021

REVISIONS			
SYM	DESCRIPTION	DATE	APPROVED
NC	NEW RELEASE PER E.O. P16753	7-21-00	RDR

- 5. THE 6 PIN BUSBAR HAS A MAXIMUM CURRENT RATING OF 39 AMPS.
- △ ORIENTATION OF "DEUTSCH" AND "-P021" TO BE OPTIONAL.
- 3. THIS DT04-6P-P021 MATES WITH DT06-6S-**** (**** = ALL MODIFICATIONS). CONSULT FACTORY FOR MODIFICATIONS.
- 2. DIMENSIONS ARE ±.025[0.63] UNLESS OTHERWISE SPECIFIED.
- 1. DIMENSIONS ARE IN INCHES [MILLIMETERS].

NOTES:

SIGNATURE & DATE	
DR	T. YOHANNES 7/06/00
CHK	<i>[Signature]</i> 7/11/00
PE	<i>[Signature]</i> 7/11/00
APPD	<i>[Signature]</i> 7-21-00
SCALE	NONE WT

DT 6 WAY RECEPTACLE
6 PIN BUSBAR-NICKEL PLATED
COLOR: GREY

ENVELOPE

CP	MATL. CODE
The Deutsch Company DEUTSCH I.P.D. 3850 INDUSTRIAL AVE. HEMET, CALIF. 92545	
B	DT04-6P-P021
DWG SIZE	CODE 11139 SHEET OF