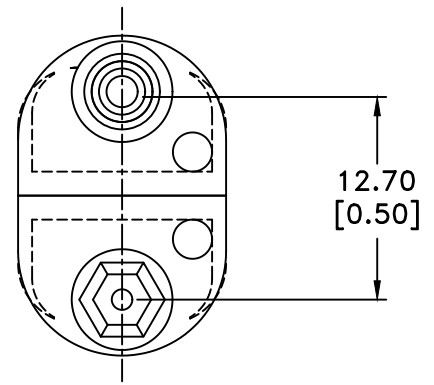
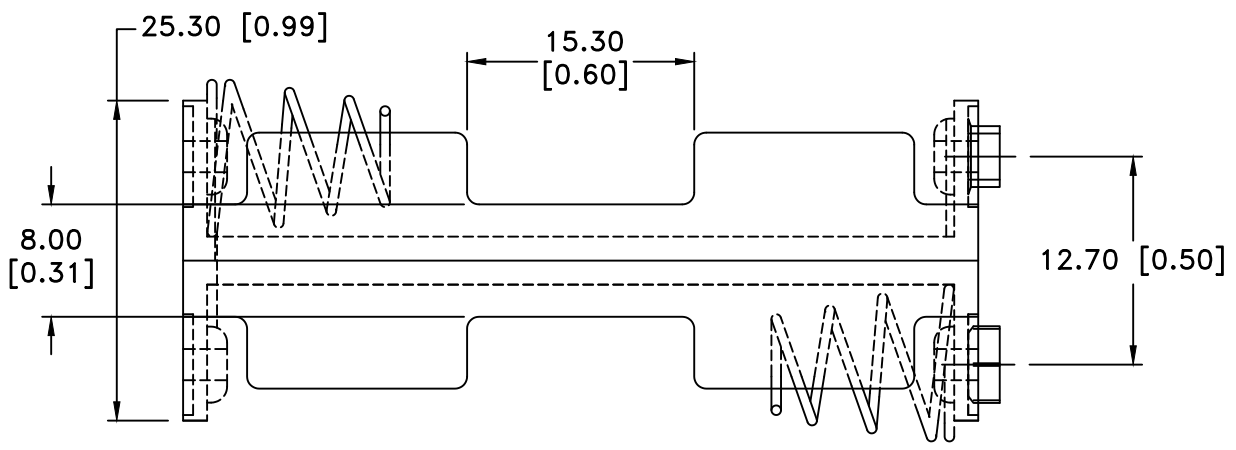
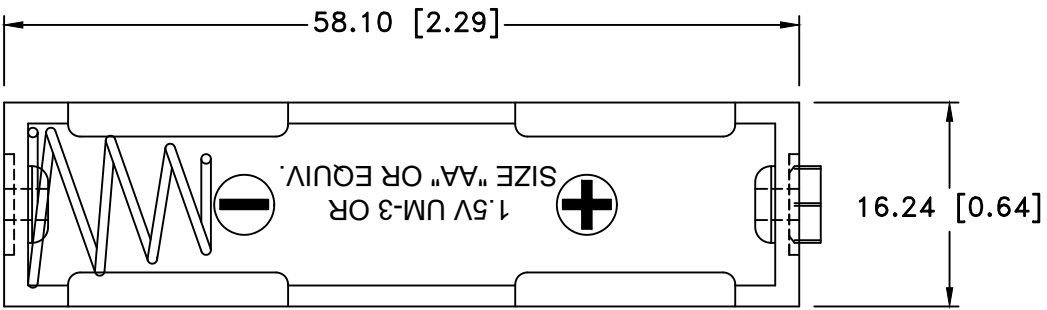



Date	SYM	REVISION RECORD	AUTH	DR.	CK.
5/19/17	B	DIM. 58.10 WAS 57.0 DIM. 16.24 WAS 15.90	T.B.	B.S.	
3/07/19	C	UPDATED TO "ROHS COMPLIANT"	T.B.	B.S.	



NOTES:
 Plastic material - Polypropylene, PP-1040
 Flammability Rating -UL94-HB, UL File NO. E216959
 Temperature Range: -10°C to +100°C
 Springs - Nickel Plated Spring Steel
 Rivets - Brass, Nickel Plated
 9Volt Snaps - Brass, Nickel Plated
 Contact Resistance: Under 50mΩ for +/- contacts per EIA-540J000
 ROHS COMPLIANT

Tolerance (Except as noted)	 Memory Protection Devices, Inc 200 Broad Hollow Road, Farmingdale, New York 11735		
decimal ±.5 (.020)		Scale	Drawn By B.S.
Fractional ± .8 (.030)	Title TWO "AA" CELL HOLDER WITH SNAP FASTENERS		
Angular ± 3°	Date 03/07/19	Drawing Number BC32AASF	
			Approved By T.B.