



**ANATECH ELECTRONICS INC**  
RF & Microwave Filters & Products

# 1000 MHz LC Band Pass Filter

**Part Number: AE1000B5460**



## Electrical Specifications

**Center Frequency:** 1000 MHz  
**3dB Passband:** 840-1192 MHz  
**Insertion Loss:** 4.0dB Max.  
**Return Loss:** 14.0dB Min.  
**Rejection1:** 40dB Min @ 710 MHz  
**Rejection2:** 40dB Min @ 1408 MHz

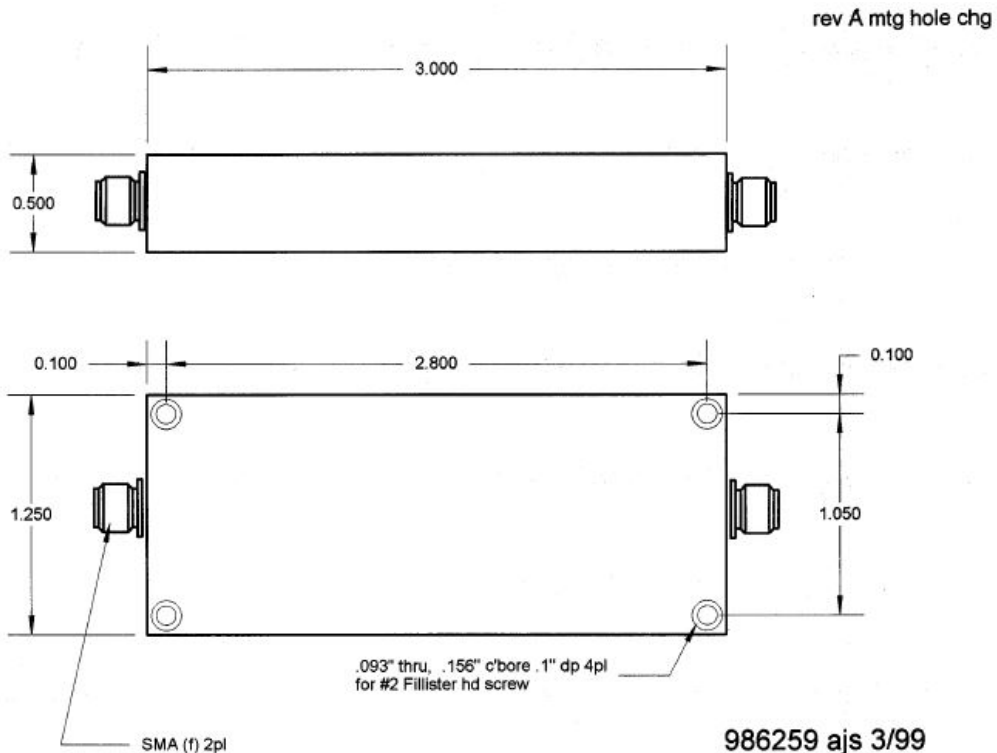
## Mechanical

**Mounting Method:** Threaded Holes  
**Connector Type:** SMA(F)  
**Dimensions:** 3.0" X 1.25" x 0.5".

## Environmental

**Operating Temperature:** -25°C to +70°C  
**Storage Temperature:** -40°C to +90°C  
**Shock:** 10 G. 11ms  
**Vibration:** 10 G. 5 to 200Hz

## Outline Drawing:



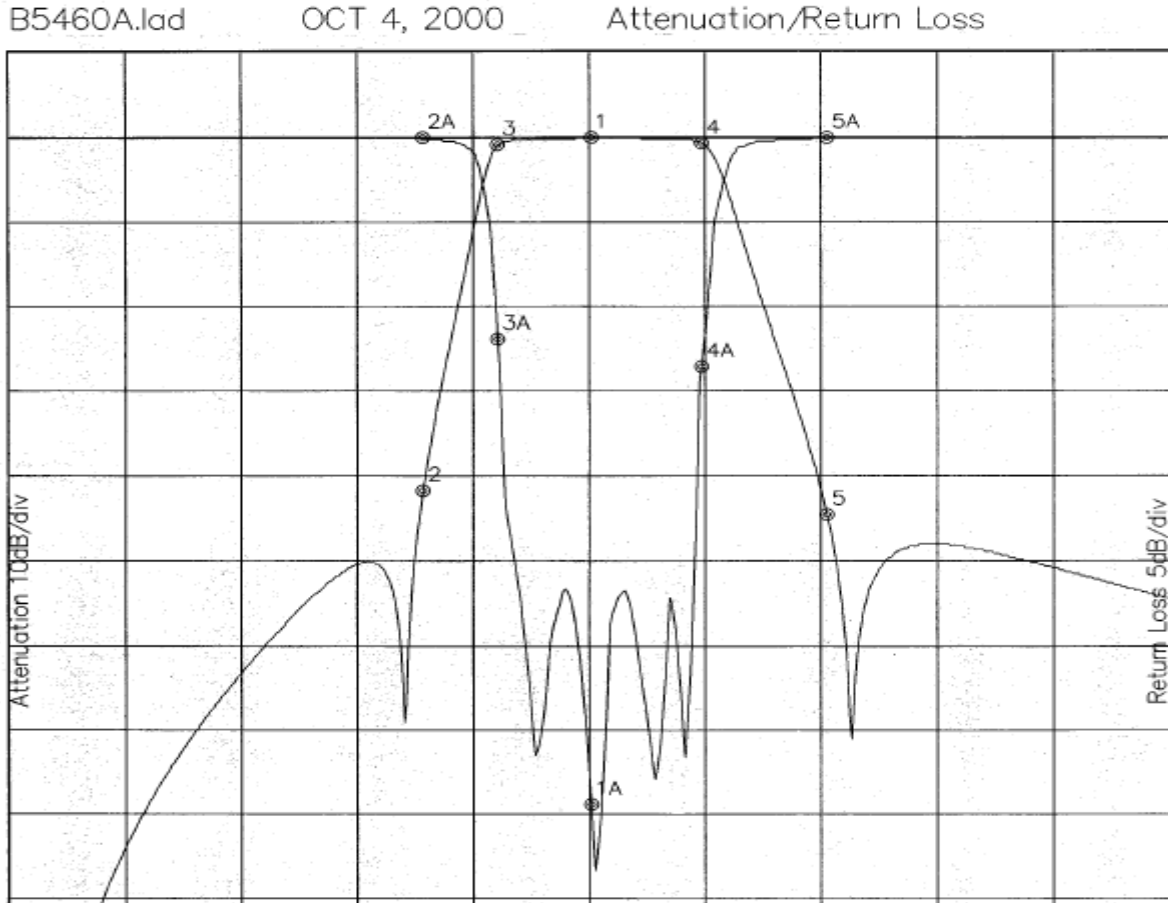
Tolerance: +/-0.01 inches [+/-0.3mm] Angles: +/-1 Deg.

\*Tolerance as shown unless otherwise specified in the datasheet electrical specification tables above.

\*When max dimensions are called out the above tolerances do not apply as long as it is under the max call out.



**Simulation Plot:**



Attenuation Start: 0.20GHz	Stop: 2.0GHz	Return Loss Start: 0.20GHz	Stop: 2.0GHz
Offset -0.2173dB			
Marker 1 Freq 1.002GHz Atten -0.094dB		Marker 1A Freq 1.002GHz Ret Loss -39.451dB	
Marker 2 Freq 710.82MHz Atten -41.666dB		Marker 2A Freq 710.82MHz Ret Loss -0.042dB	
Marker 3 Freq 840.06MHz Atten -0.971dB		Marker 3A Freq 840.06MHz Ret Loss -11.966dB	
Marker 4 Freq 1.192GHz Atten -0.626dB		Marker 4A Freq 1.192GHz Ret Loss -13.634dB	
Marker 5 Freq 1.409GHz Atten -44.470dB		Marker 5A Freq 1.409GHz Ret Loss 0.012dB	

Note: This is a simulated response plot. Actual performance might differ.