

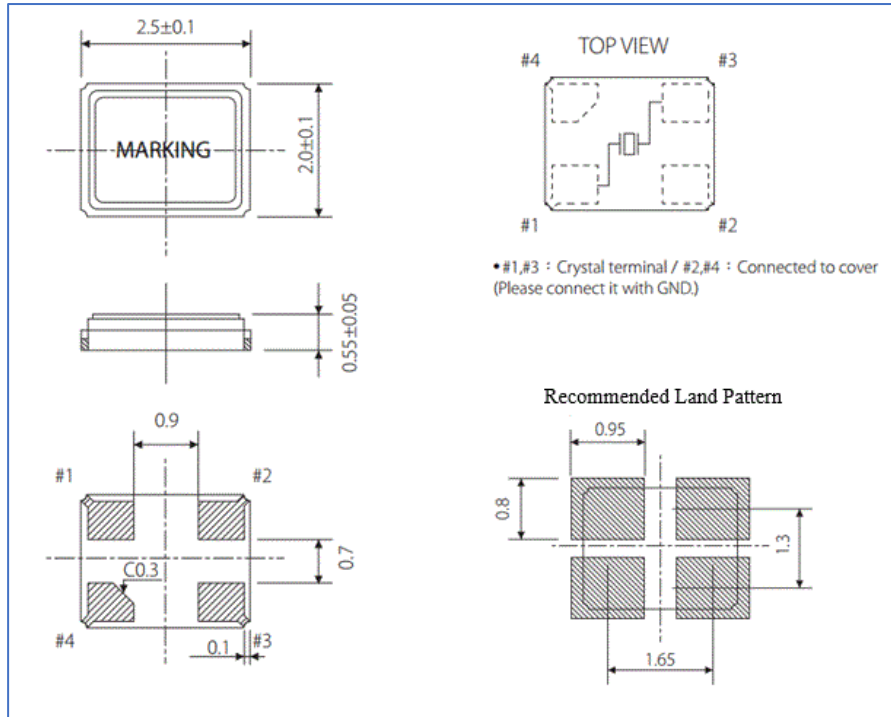
ECN/PCN No.:

For Manufacturer

Product Description: Automotive & Industrial Grade Miniature Ceramic SMD Crystal		Abracon Part Number / Part Series: ABM10AIG	<input checked="" type="checkbox"/> Series <input type="checkbox"/> Part Number
Affected Revision: B	New Revision: C	Application	<input type="checkbox"/> Safety <input checked="" type="checkbox"/> Non-Safety

Prior to Change:

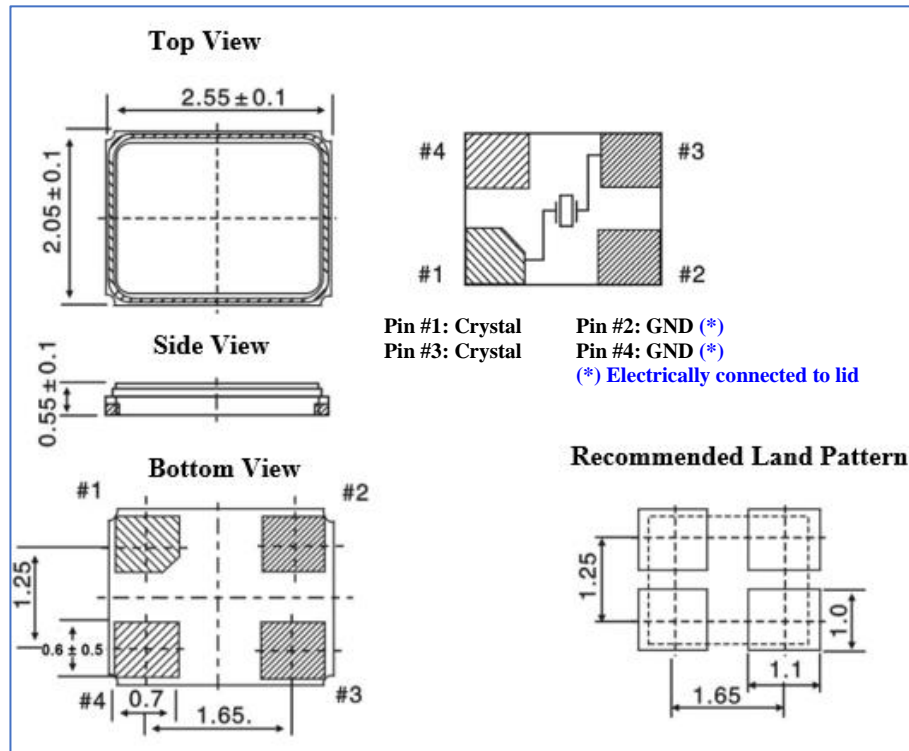
- Mechanical Dimensions & Recommended Land Pattern + Note



Note: Due to availability of raw materials, this part may be manufactured with the chamfer on pin 1 or pin 4. Be advised that this does not affect the electrical characteristics of the crystal in any way.

After Change:

- Mechanical Dimensions & Recommended Land Pattern + Note



Note: Due to availability of raw materials, this part may be manufactured with the chamfer on pin 1 or pin 4. Be advised that this does not affect the electrical characteristics of the crystal in any way.

Cause/Reason for Change: Standard review and upgrade of product series.		
Change Plan	Effective Date: 9/23/2019	Additional Remarks: N/A
Change Declaration: The changes attached do not negatively impact electrical performance of this series.		
Issued Date: 9/23/2019	Issued By: Brooke Cushman	Issued Department: Engineering
Approval: Syed Raza Engineering VP	Approval: Reuben Quintanilla Quality Manager	Approval: Ying Huang Purchasing Director
For Abracon EOL only		
Last Time Buy (if applicable): N/A		Alternate Part Number / Part Series: N/A
Additional Approval: N/A	Additional Approval: N/A	Additional Approval: N/A
Customer Approval (If Applicable)		
Qualification Status: <input type="checkbox"/> Approved <input type="checkbox"/> Not accepted Note: It is considered approved if there is no feedback from customer 1 month after ECN/PCN is released		
Customer Part Number:		Customer Project:
Company Name:	Company Representative:	Representative Signature:
Customer Remarks:		