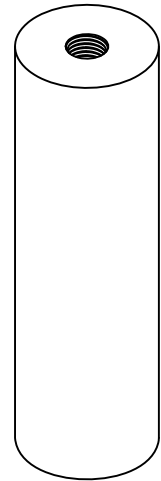
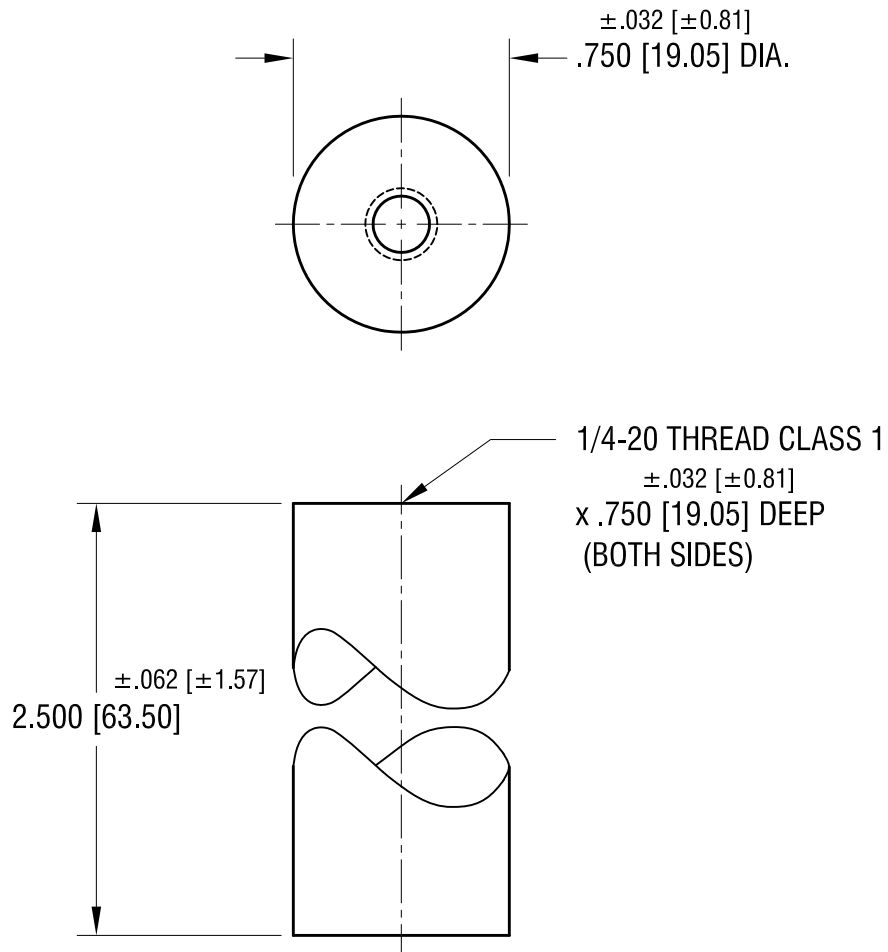


THIS DOCUMENT IS THE PROPERTY OF  
KEYSTONE ELECTRONICS CORP. AND  
SHALL NOT BE REPRODUCED, DISTRIBUTED  
OR USED AS A BASIS FOR MANUFACTURE  
WITHOUT PRIOR WRITTEN PERMISSION  
FROM KEYSTONE ELECTRONICS CORP.

ACTUAL SIZE



**KEYSTONE ELECTRONICS CORP.**

www.keyelco.com • NEW HYDE PARK NY 11040 • Tel (516)328-7500

PART NAME				CERAMIC STANDOFF			
MATERIAL				GRADE L5 CERAMIC			
FINISH		DRN BY		DATE		APP'D	
GLAZED		BOONE		11.22.96		SCALE	
						1.5X	
TOLERANCES		INCH [MM]		CODE		DWG NO.	
DECIMAL		± .005 [± 0.13 ]		C		7719	
ANGULAR		± 1°					
UNLESS OTHERWISE SPECIFIED							

DATE	DESCRIPTION	REV.