

USB port, 22 mm, plastic with metal front ring, sand gray



product brand name	SIRIUS ACT
product designation	USB port
design of the product	USB 3.0
product type designation	3SU1
product line	Plastic with metal front ring, matt, 22 mm

**Actuator**

outer diameter of the actuating element	29.45 mm
---	----------

**General technical data**

protection class IP	IP65
Substance Prohibittance (Date)	10/01/2014

**Ambient conditions**

ambient temperature	
<ul style="list-style-type: none"> <li>during operation</li> <li>during storage and transport</li> </ul>	<p>70 ... -25 °C</p> <p>-40 ... +80 °C</p>

**Installation/ mounting/ dimensions**

shape of the installation opening	round
mounting diameter	22.3 mm
mounting height	11.7 mm
installation width	29.45 mm
installation depth	28.35 mm

**Accessories**

material of accessory	Metal
color of accessory	sand gray

**Certificates/ approvals**

General Product Approval	Declaration of Conformity	Test Certificates
--------------------------	---------------------------	-------------------

[Confirmation](#)



[Type Test Certificates/Test Report](#)

Marine / Shipping	other
-------------------	-------



[Confirmation](#)

## Further information

Information- and Downloadcenter (Catalogs, Brochures,...)

<https://www.siemens.com/ic10>

Industry Mall (Online ordering system)

<https://mall.industry.siemens.com/mall/en/en/Catalog/product?mfb=3SU1930-0GA80-0AA0>

Cax online generator

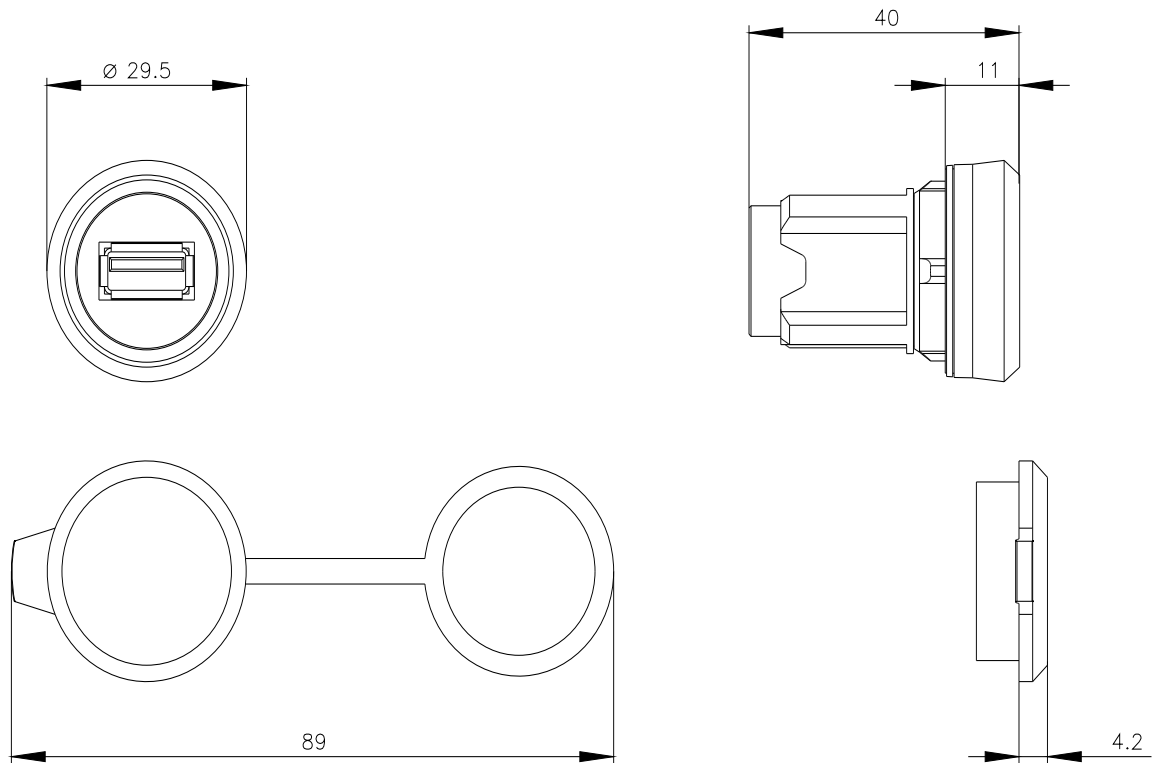
<http://support.automation.siemens.com/WW/CAXorder/default.aspx?lang=en&mfb=3SU1930-0GA80-0AA0>

Service&Support (Manuals, Certificates, Characteristics, FAQs,...)

<https://support.industry.siemens.com/cs/ww/en/ps/3SU1930-0GA80-0AA0>

Image database (product images, 2D dimension drawings, 3D models, device circuit diagrams, EPLAN macros, ...)

[http://www.automation.siemens.com/bilddb/cax\\_de.aspx?mfb=3SU1930-0GA80-0AA0&lang=en](http://www.automation.siemens.com/bilddb/cax_de.aspx?mfb=3SU1930-0GA80-0AA0&lang=en)



last modified:

4/4/2022 