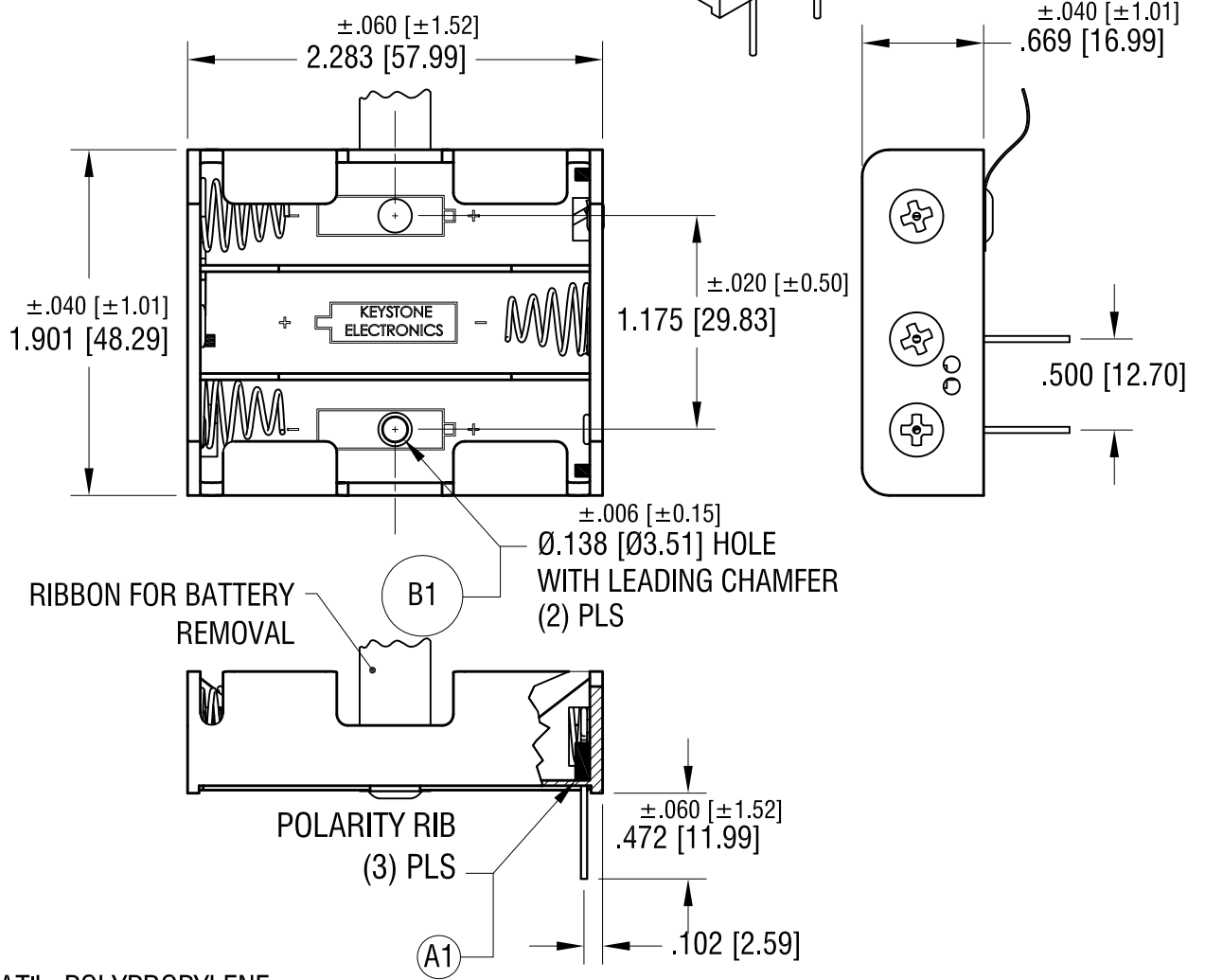
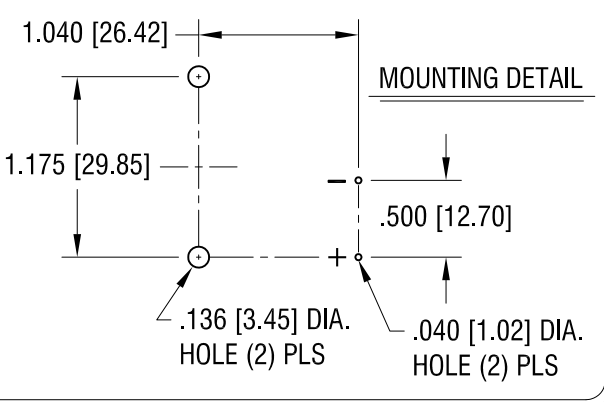
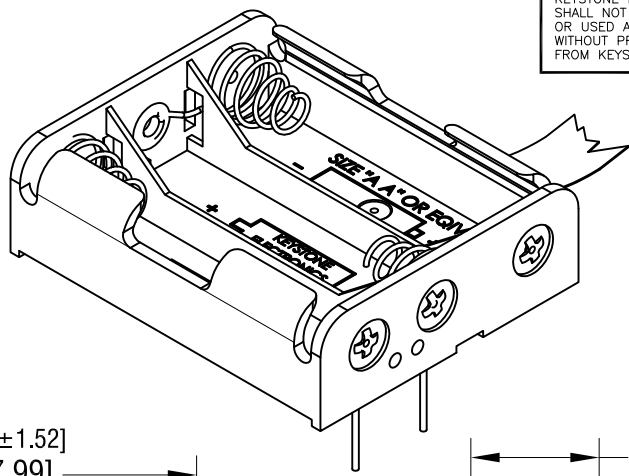


THIS DOCUMENT IS THE PROPERTY OF KEYSTONE ELECTRONICS CORP. AND SHALL NOT BE REPRODUCED, DISTRIBUTED OR USED AS A BASIS FOR MANUFACTURE WITHOUT PRIOR WRITTEN PERMISSION FROM KEYSTONE ELECTRONICS CORP.



NOTE:

1. HOLDER: MAT'L: POLYPROPYLENE
2. SPRING: MAT'L: MUSIC WIRE, .027 [0.70] DIA.
3. PC TERMINALS: MAT'L: BRASS, .032 [0.81] DIA.
4. RIBBON: MAT'L: NYLON, RED

6.13.22	(B1) WAS .130 [3.30] ± .005 [±0.13] CHANGE AS PER ECN 21-089	B
2.08.22	SHOW POLARITY STOPPER (A1) CHANGE AS PER ECN 22-033	A
DATE	DESCRIPTION	REV.

KEYSTONE ELECTRONICS CORP.			
www.keyelco.com • NEW HYDE PARK, NY 11040 • Tel (516) 328-7500			
PART NAME PC BATTERY HOLDER (3) 'AA' W/ RIBBON			
MATERIAL AS NOTED			
FINISH NICKEL PLATE		DRN BY BOONE	DATE 12.01.03
		APP'D LN	SCALE 1X
TOLERANCES INCH [MM] DECIMAL ± .015 [±0.38] ANGULAR ± 1° UNLESS OTHERWISE SPECIFIED		CODE C	DWG NO. 2464RB