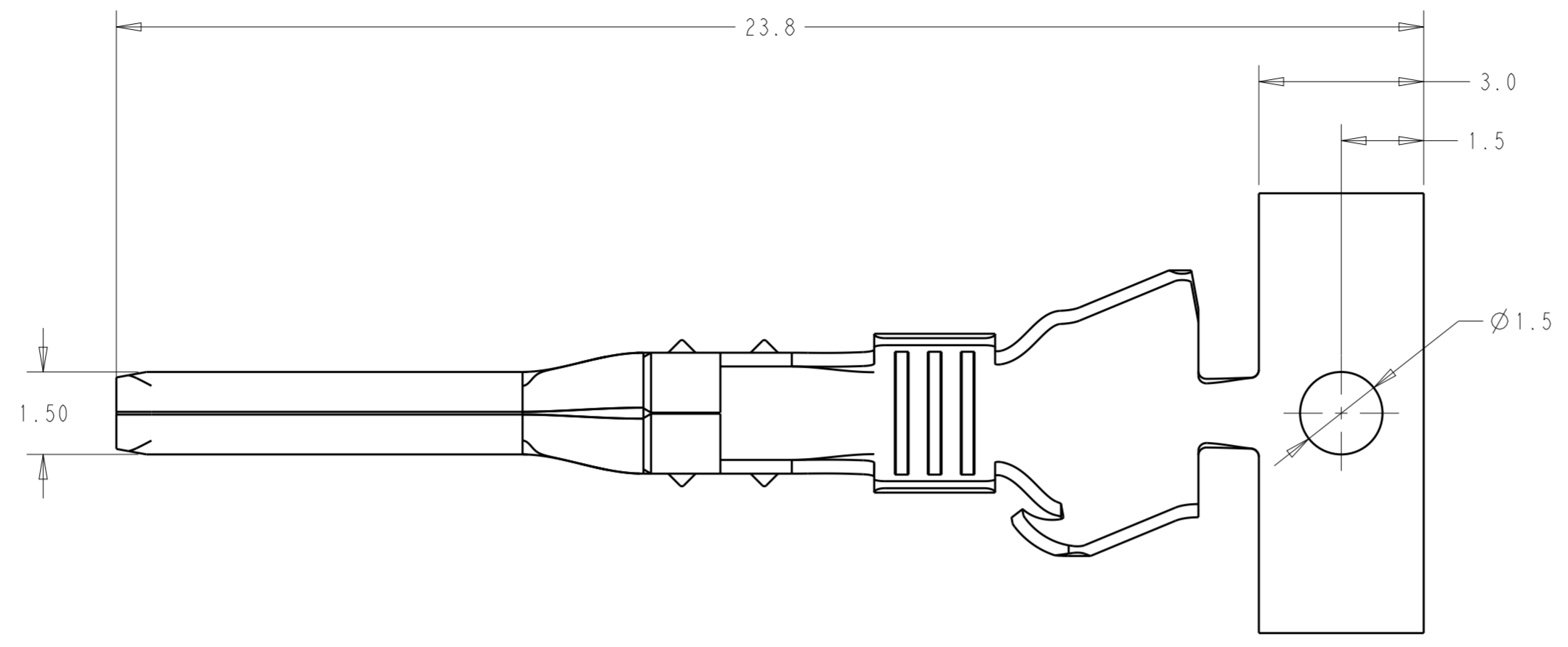
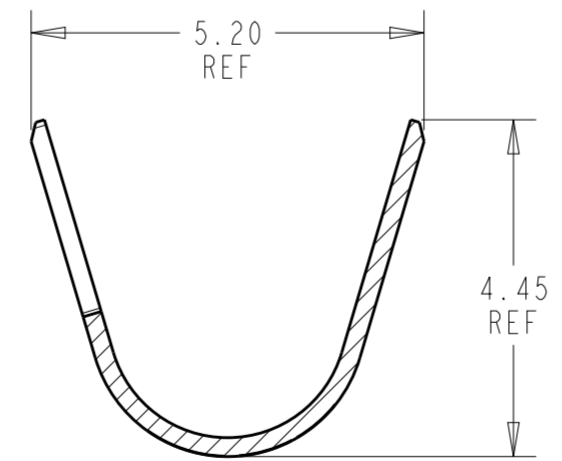
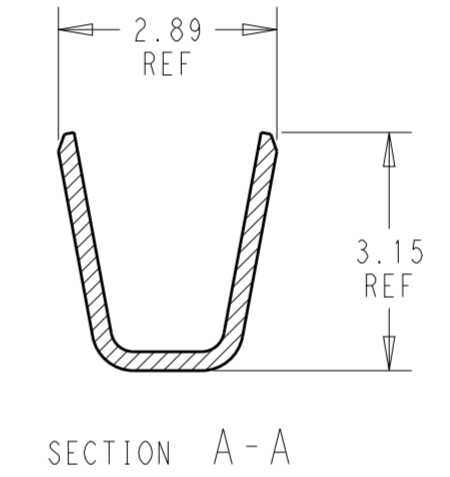
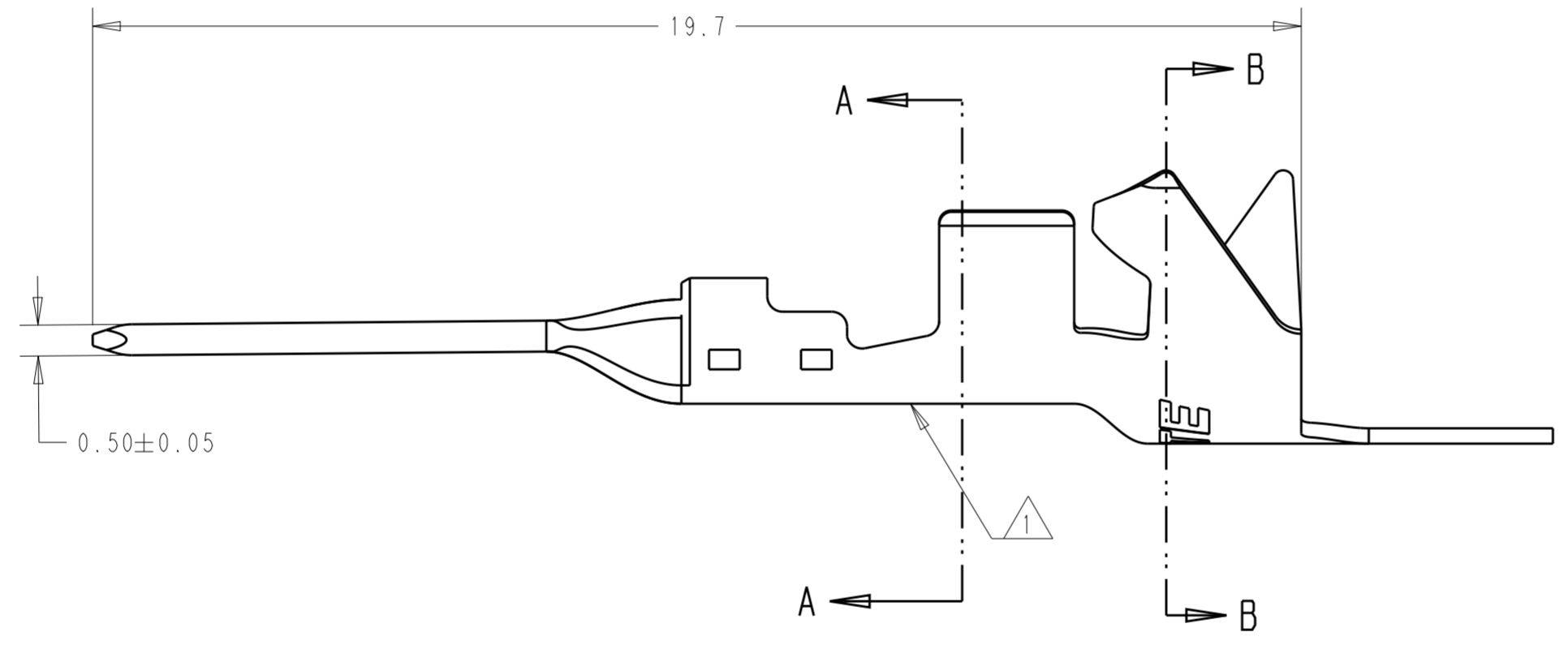
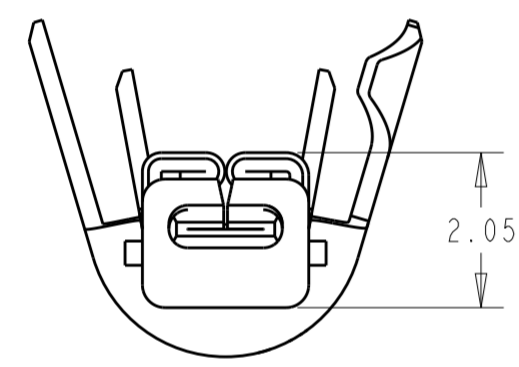


THIS DRAWING IS UNPUBLISHED. RELEASED FOR PUBLICATION 2017  
 © COPYRIGHT 2017 BY - TE CONNECTIVITY ALL RIGHTS RESERVED.

REVISIONS				
P	LTR	DESCRIPTION	DATE	APVD
A		RELEASED PER ECO-19-013549	04SEP2019	BKW GJ
A1		REVISED PER ECR-20-100211	05AUG2020	JP VS



- 1 MATERIAL MARK
- 2. WIRE: AWG 14-16 COPPER STRANDED
- 3. INSULATION DIA RANGE: 2.3~3.5mm
- 4. SUPPLIED CONTINUOUS ON A REEL.
- 5 PRELIMINARY - NOT FOR PRODUCTION



M0	HIGH CONDUCTIVE COPPER ALLOY	HIGH TEMP (140°C)	5 2329907-2
M1	BRASS	STANDARD TEMP (105°C)	2329907-1
MATERIAL MARK 1 MATERIAL		TEMPERATURE RATING	PART NUMBER

THIS DRAWING IS A CONTROLLED DOCUMENT.

DIMENSIONS: mm	TOLERANCES UNLESS OTHERWISE SPECIFIED:	DWN B. WEAVER 27APR2018	TE Connectivity
	0 PLC ±	CHK S. FERNANDES 27APR2018	
	1 PLC ±0.40	APVD C. YI 27APR2018	
MATERIAL	FINISH	PRODUCT SPEC 108-143081	NAME POWER VERSA-LOCK TAB TERMINAL WIRE SEAL 14-16 AWG
SEE TABLE	PRE-PLATED Sn	APPLICATION SPEC 114-143082	SIZE A2
		WEIGHT -	CAGE CODE -
		CUSTOMER DRAWING	DRAWING NO. C-2329907
		SCALE 10:1	SHEET 1 OF 1
			REV A1