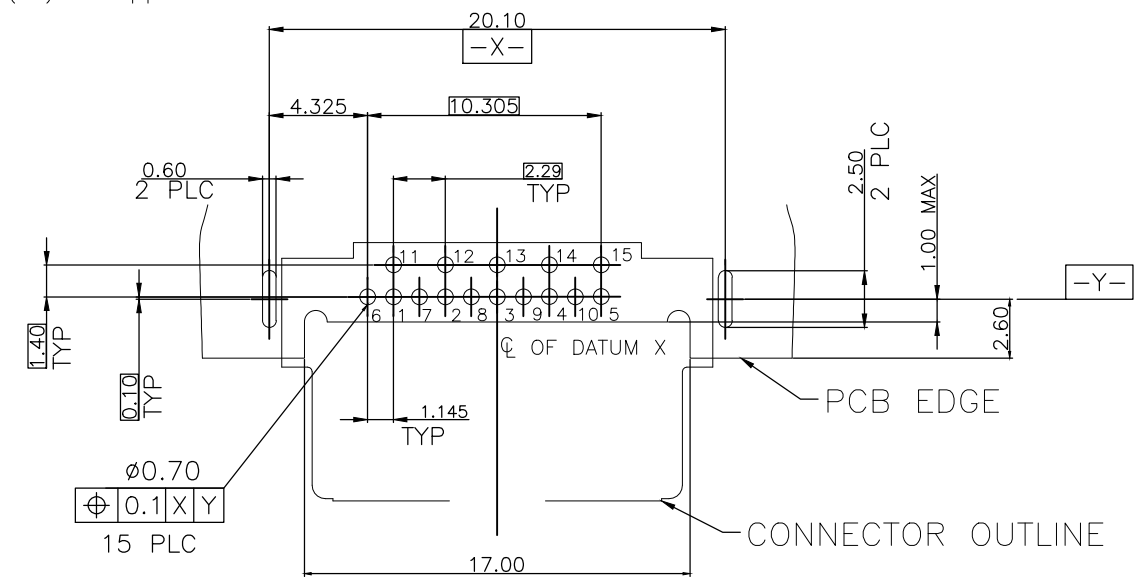
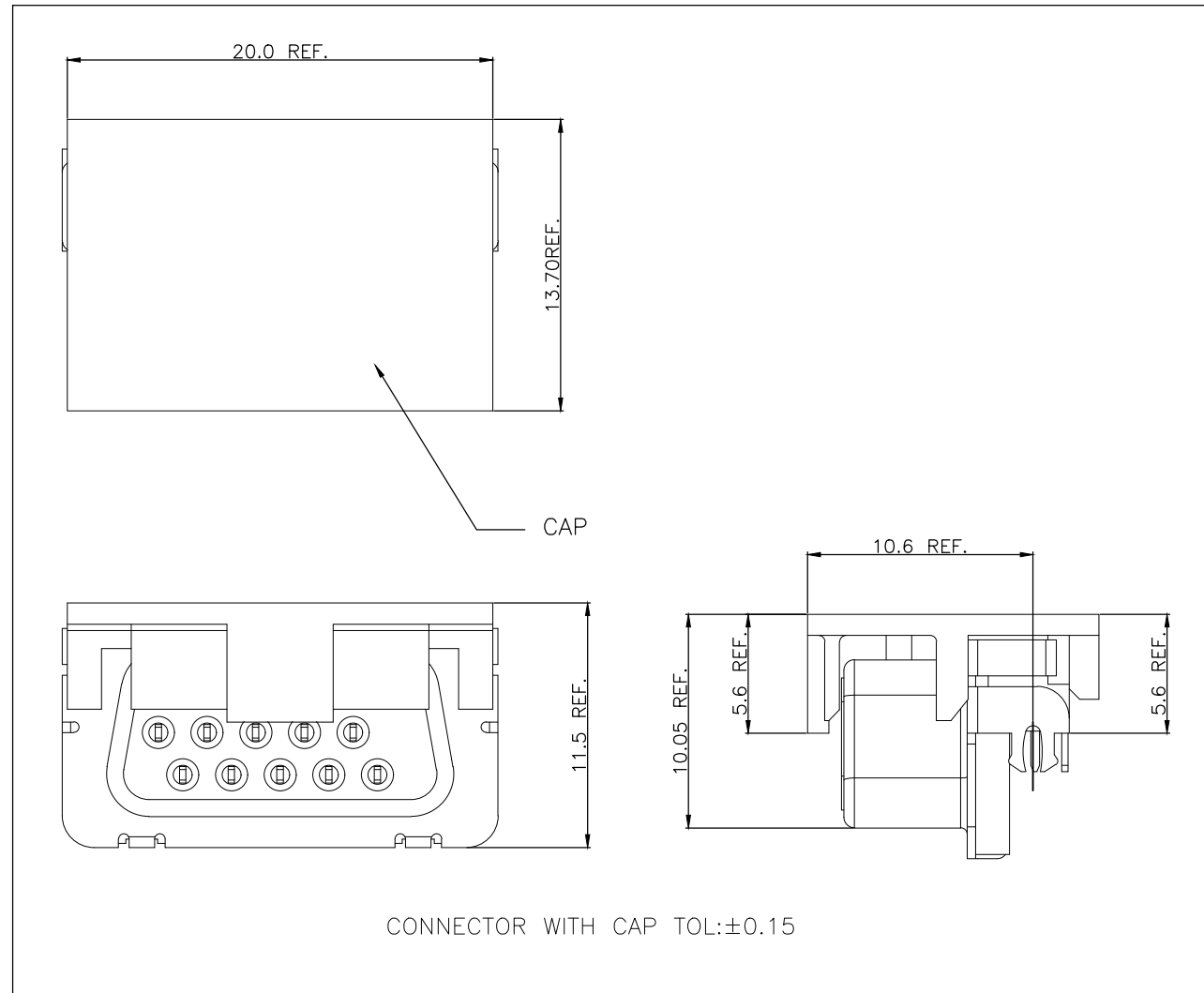


| P | LTR | DESCRIPTION | DATE | DWN | APVD |
|---|-----|---------------|-----------|-----|------|
| | B2 | ECO-20-015836 | 09NOV2020 | RR | SH |

NOTES:

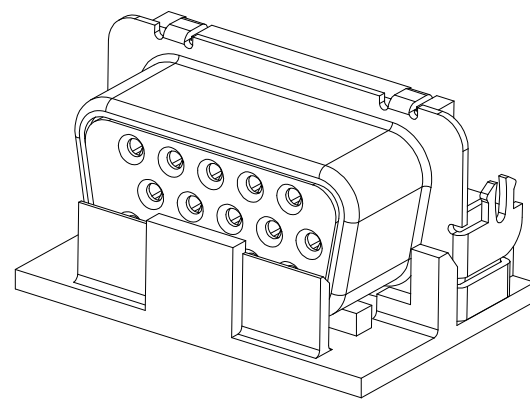
- MATERIAL:
 HOUSING: PA9T WITH 30% GF, UL 94V-0, COLOR: BLACK. OR LCP WITH 30% GF, UL 94V-0, COLOR: BLACK.
 CAP: PA9T WITH 30% GF, UL 94V-0, COLOR: BLACK. OR LCP WITH 30% GF, UL 94V-0, COLOR: BLACK.
 CONTACTS: BRASS.
 SHELL: SPCC.
- FINISH:
 CONTACTS: GOLD FLASH PLATED ON CONTACT AREA, 2.54um[100u"] MIN. MATTE-TIN PLATED ON SOLDER TAIL, 1.27um[50u"] MIN. NICKEL UNDERPLATED OVER ALL.
 SHELL: 2.54um[100u"] MIN. NICKEL OR PLATED. OR 2.54um[100u"] MIN. BLACK NICKEL PLATED.
- RECOMMENDED PCB THICKNESS: 1.2mm.
- REFLOW SOLDER CAPABLE TO 260°C PER TE TEST SPEC. 109-201, CONDITION B.
- NO BOARD LOCK FUNCTION.
- LOW HALOGEN SPECIFICATION: (P/N: 2041127-4)
 CHLORINE(Cl): 900ppm MAX.
 BROMINE(Br): 900ppm MAX.



5 RECOMMENDED P.C.B LAYOUT(T=1.20mm)
TOP VIEW, TOLERANCE: ±0.05

OBSOLETE

| | | | | | | |
|----------|---|-------------|---------------|--------------|------------------|-------------|
| OBSOLETE | 6 | LOW HALOGEN | BLACK NICKEL | LCP | LCP | 2041127-4 |
| OBSOLETE | | WITH | NICKEL | PA9T | PA9T | 2041127-1 |
| | | HALOGEN | SHELL PLATING | CAP MATERIAL | HOUSING MATERIAL | PART NUMBER |



| | | | | | | | | | | | | | | | | | | | | | |
|--|--|-------------------------------|-----------|-----------|--|----|--------------|------------|---------------|-------|-------|--------|-----|-------|--|--------|--|-----|--|----|--|
| THIS DRAWING IS A CONTROLLED DOCUMENT. | | DWN | B. HSING | 05MAR2009 | TE Connectivity D-SUB, 15P, R/A, SLIM, RVS, DIP | | | | | | | | | | | | | | | | |
| DIMENSIONS: mm | | CHK | S. CHIEN | 05MAR2009 | | | NAME | | | | | | | | | | | | | | |
| TOLERANCES UNLESS OTHERWISE SPECIFIED: | | APVD | W. KODAMA | 05MAR2009 | | | PRODUCT SPEC | | | | | | | | | | | | | | |
| 0 PLC ± - 1 PLC ± 0.30 2 PLC ± 0.20 3 PLC ± 0.15 4 PLC ± - ANGLES ± 3 Deg | | APPLICATION SPEC 108-57751 | | SIZE | | | CAGE CODE | DRAWING NO | RESTRICTED TO | | | | | | | | | | | | |
| MATERIAL SEE NOTE | | FINISH SEE NOTE | | WEIGHT | 0 | A3 | 00779 | C=2041127 | SCALE | 1:1 | SHEET | 1 OF 5 | REV | B2 | | | | | | | |
| CUSTOMER DRAWING | | | | | | | | | | SCALE | | 1:1 | | SHEET | | 1 OF 5 | | REV | | B2 | |