

REVISIONS				
P	LTR	DESCRIPTION	DATE	OWN APVD
B		REVISED PER ECO-14-000320	09JAN2014	NK RH
C		REVISED PER ECO-16-018654	15MAY2017	RK PO

SPECIFICATIONS:

MATERIALS:

CASE-PPS UL94V-0, BLACK
 COVER-PPS UL94V-0, BLACK
 ACTUATOR-LCP UL94V-0, WHITE
 FIXED CONTACT-COPPER ALLOY, GOLD OVER NICKEL PLATE
 MOVING CONTACT-COPPER ALLOY, GOLD OVER NICKEL PLATE
 TERMINAL-COPPER ALLOY, GOLD OVER NICKEL PLATE
 TAPE SEAL-POLYIMIDE FILM

ELECTRICAL:

CONTACT RATING: NON-SWITCHING: 100 MILLIAMPS @50 VDC
 SWITCHING: 25 MILLIAMPS @24 VDC
 INITIAL CONTACT RESISTANCE: 100 MILLIOHMS MAX. @2 VDC. 10 mA.
 INSULATION RESISTANCE: 100 MEGOHMS MIN AT 100 VDC
 DIELECTRIC STRENGTH: 300 VAC, 1 MINUTE.
 LIFE EXPECTANCY: 1,000 CYCLES MIN.

MECHANICAL:

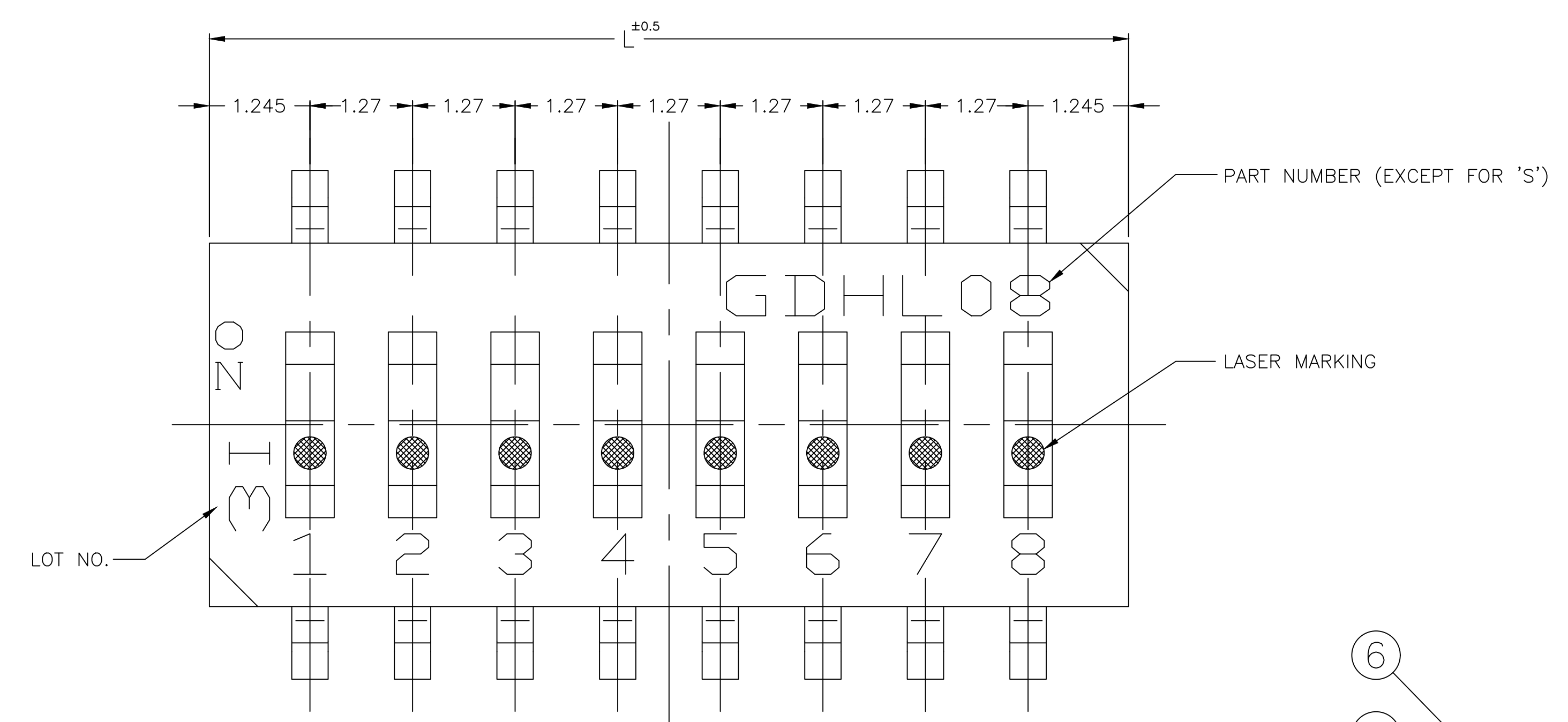
ACTUATION FORCE: 4.94 (490gf) MAX.

ENVIRONMENTAL:

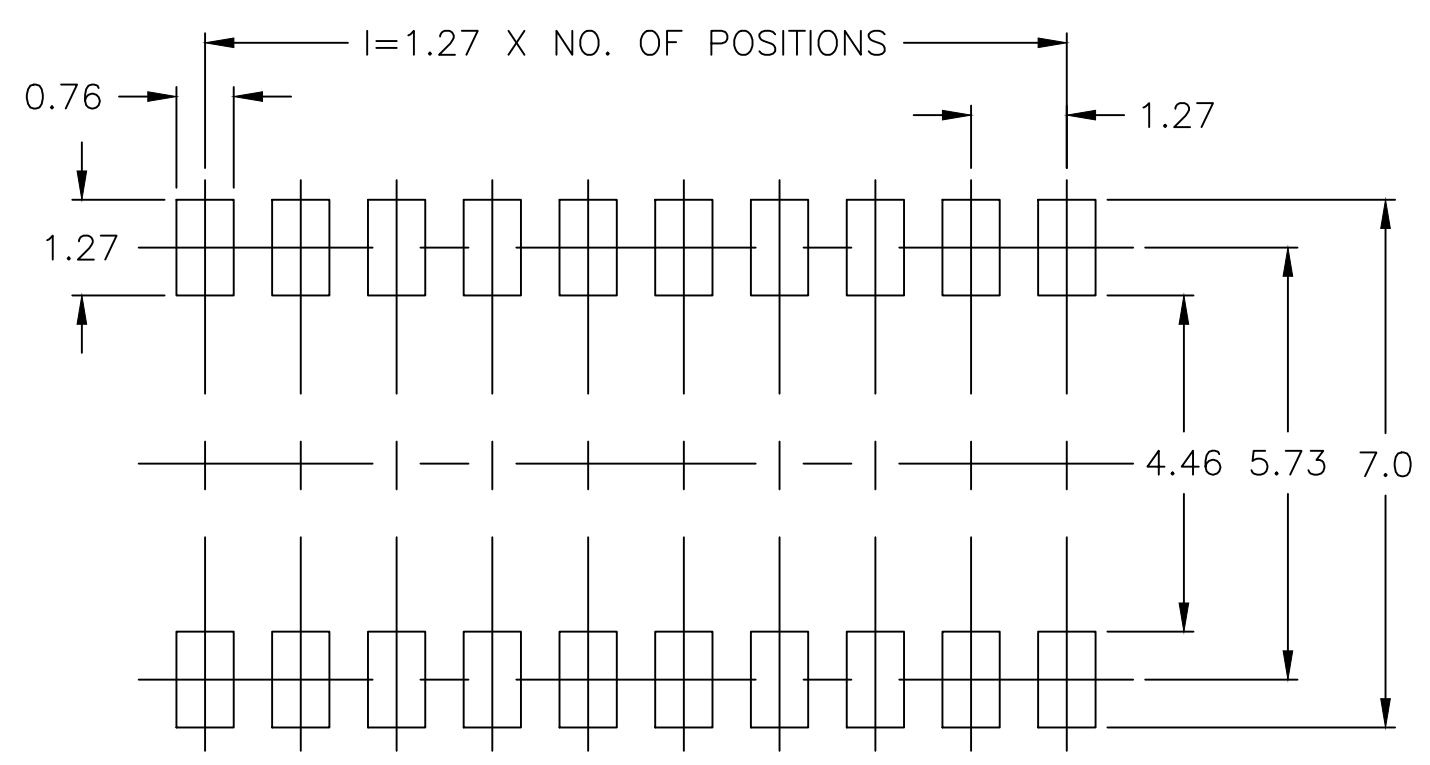
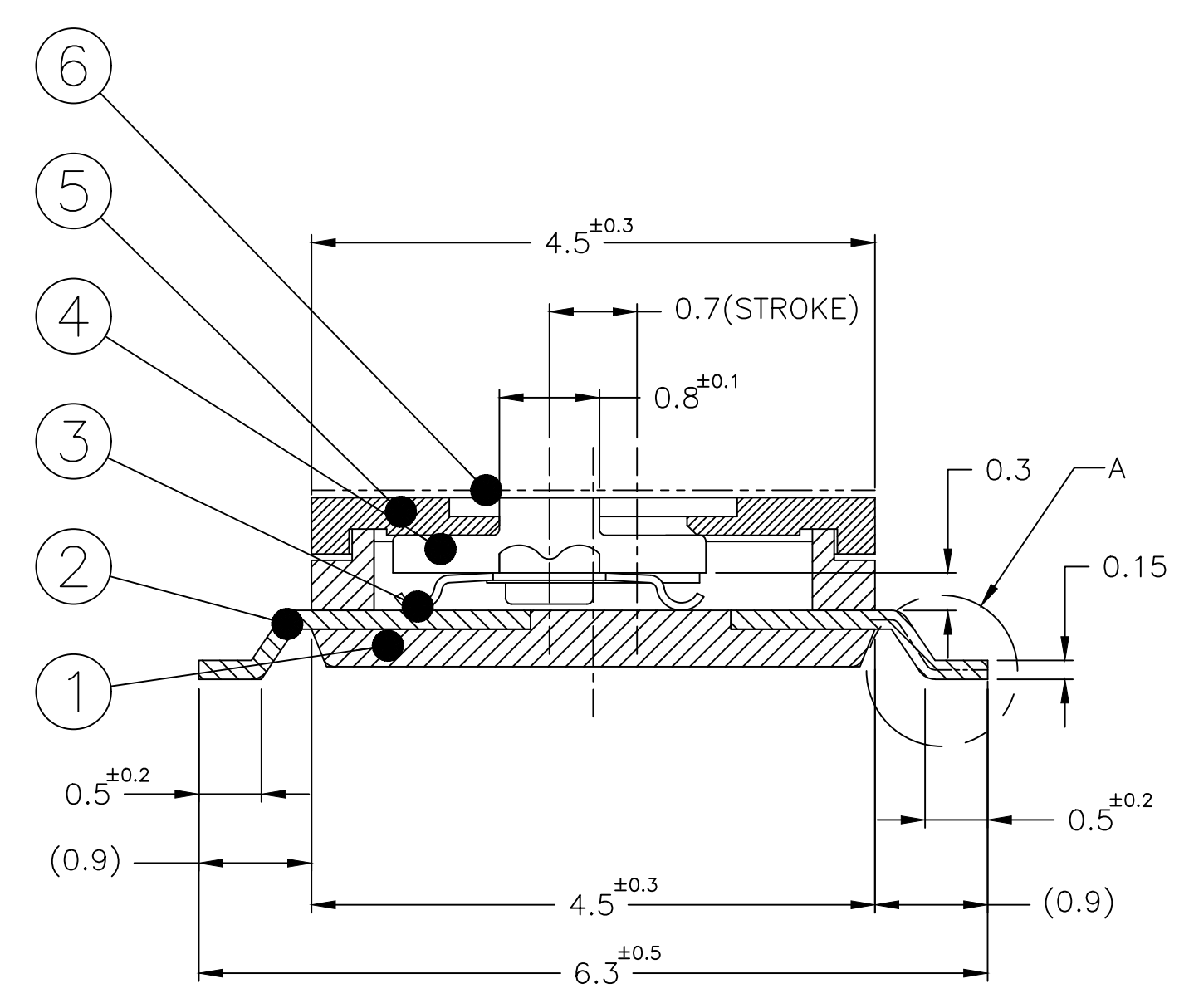
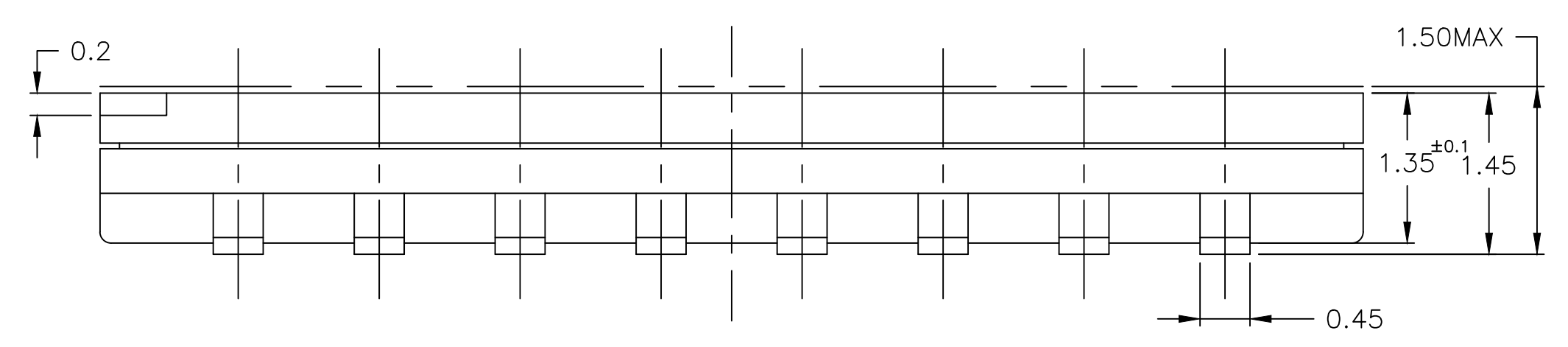
OPERATING TEMPERATURE: -30°C TO +85°C
 STORAGE TEMPERATURE: -45°C TO +100°C
 SOLDER HEAT RESISTANCE PER 109-201, CONDITION B SWITCH IN OFF POSITION
 SOLDERABILITY PER JIS C 0050 & JIS C 0053

NOTES:

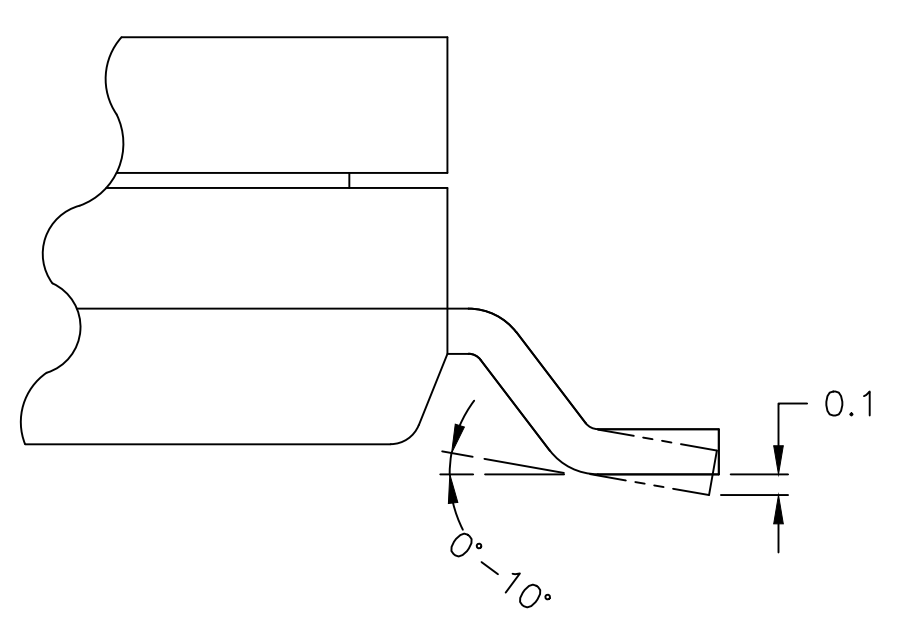
- SUPPLIED WITH TAPE SEAL STANDARD
- SWITCH IS TO HAVE OVERALL HEIGHT AS SHOWN
- ALL MATERIALS AND FINISHES SHALL COMPLY WITH EU DIRECTIVE 2002/95/EC OF 27JAN2003 (ROHS)
- TAPE AND REEL PACKAGING PER EIA-481



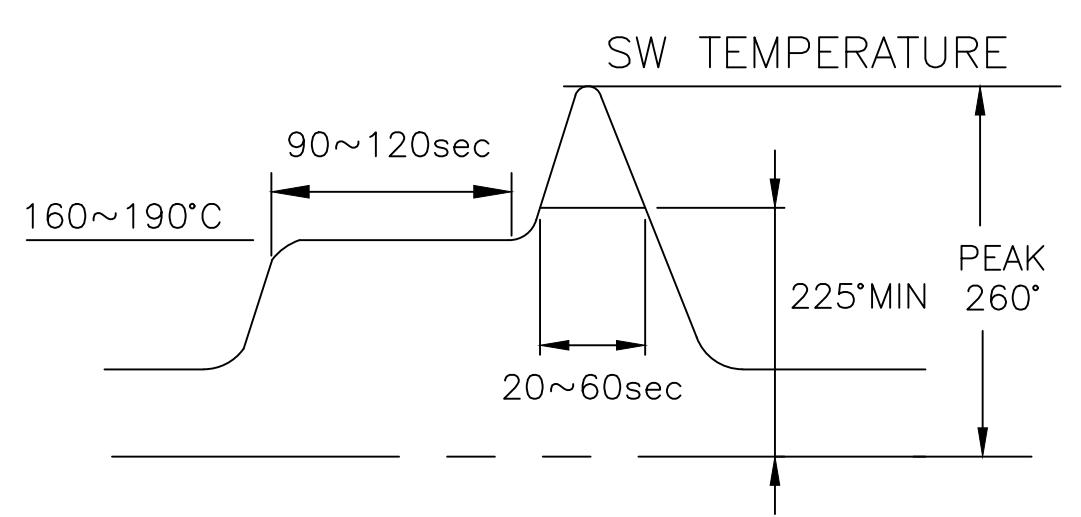
LOT NO.
 3 1
 YEAR MONTH
 2013 9



PCB LAYOUT



A: TERMINAL LAYOUT



SOLDERING TEMPERATURE PROFILE

OBSOLETE	T&R	13.92 (.548)	GDHL10STR	1-1977103-0
OBSOLETE	TUBE	13.92 (.548)	GDHL10S	1977103-9
	T&R	11.38 (.448)	GDHL08STR	1977103-8
	TUBE	11.38 (.448)	GDHL08S	1977103-7
OBSOLETE	T&R	8.84 (.348)	GDHL06STR	1977103-6
OBSOLETE	TUBE	8.84 (.348)	GDHL06S	1977103-5
	T&R	6.30 (.248)	GDHL04STR	1977103-4
OBSOLETE	TUBE	6.30 (.248)	GDHL04S	1977103-3
OBSOLETE	T&R	3.76 (.148)	GDHL02STR	1977103-2
OBSOLETE	TUBE	3.76 (.148)	GDHL02S	1977103-1
	PACKAGING	DIM L	T&B P/N	PART NUMBER

THIS DRAWING IS A CONTROLLED DOCUMENT. DWG: M.BINNER 17APR07
 CHK: M.S.SARVER
 DIMENSIONS: mm TOLERANCES UNLESS OTHERWISE SPECIFIED:
 0 PLC ± -
 1 PLC ± -
 2 PLC ± 0.20
 3 PLC ± -
 4 PLC ± -
 ANGLES FINISH ± -
 MATERIAL -
 THIS DRAWING IS A CONTROLLED DOCUMENT. DWG: M.BINNER 17APR07
 CHK: M.S.SARVER
 PRODUCT SPEC -
 APPLICATION SPEC -
 WEIGHT -
 CUSTOMER DRAWING
 TE Connectivity
 LOW PROFILE DIP SWITCH
 GDHL
 SIZE: A1 CAGE CODE: 00779 DRAWING NO: 1977103
 RESTRICTED TO: -
 SCALE: 10:1 SHEET: 1 OF 1 REV: C