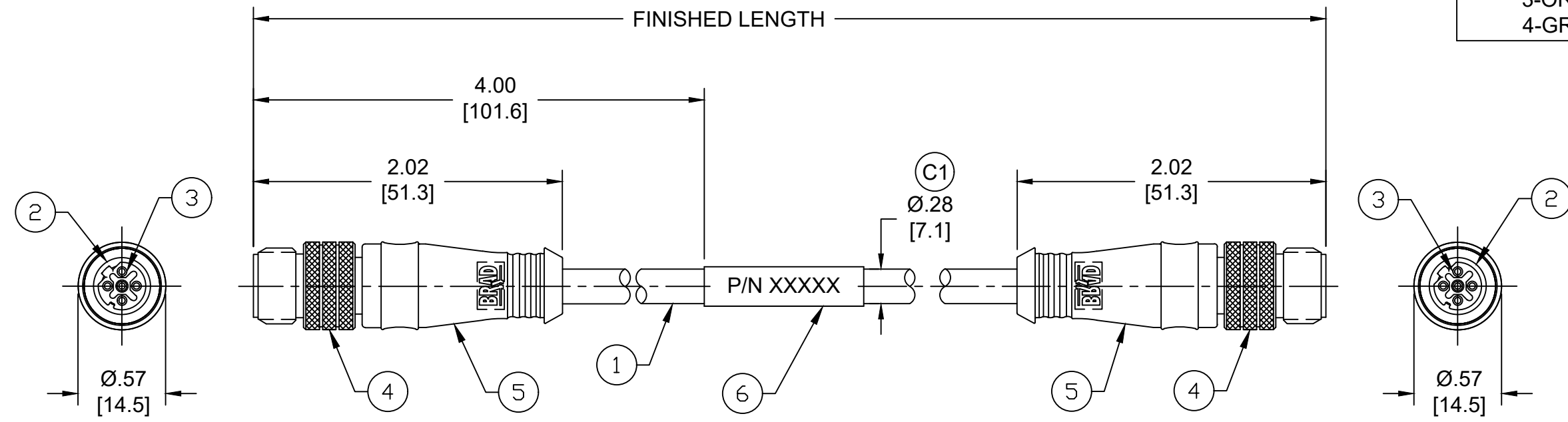
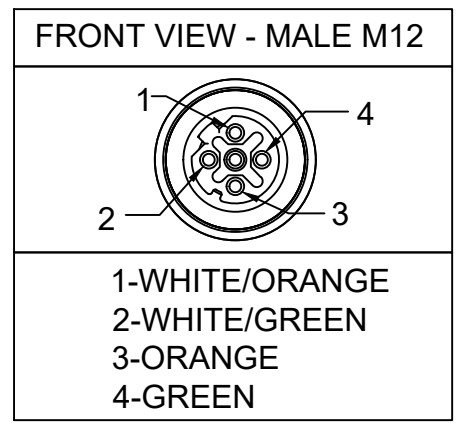


| MATERIAL NUMBER | ENGINEERING NUMBER | FINISHED LENGTH |
|-----------------|--------------------|------------------|
| 1201088181 | E11A06006M005 | 0.5M [1FT 8 IN] |
| 1201080366 | E11A06006M600 | 60M[196FT 10 IN] |
| 1201080533 | E11A06006T100 | 100M[328FT 1 IN] |



- NOTES:
1. MATERIAL: AS NOTED
 2. FINISH: AS NOTED
 3. ELECTRICAL:
VOLTAGE: 30V AC/DC
CURRENT: 1.5A
 4. TEMP RATING: -20°TO +75°C (C1)
 5. PROTECTION: IP67 (WHEN MATED)
 6. COUPLING THREAD: M12X1
 7. UL LISTED FILE: E361772 (C1)
 8. ALL DIMENSIONS ARE FOR REFERENCE UNLESS TOLERANCED OR NOTED OTHERWISE

PART NUMBER LEGEND
E11A06006M005

FINISHED LENGTH
M005 - 0.5 METER
M010 - 1 METER
M200 - 20 METER
T100 - 100 METER

(C1) CABLE LENGTH TOLERANCES

| | |
|--------------------------|-------------------------|
| <.3M [1FT]: | +19mm-0 [+ .75in-0] |
| .3 - .9M [1 - 3FT]: | +44.5mm-0 [+1.75in-0] |
| .9 - 1.8M [3 - 6FT]: | +55.6mm-0 [+2.19in-0] |
| 1.8 - 3.7M [6 - 12FT]: | +88.9mm-0 [+3.50in-0] |
| 3.7 - 7.3M [12 - 24FT]: | +165.1mm-0 [+6.50in-0] |
| 7.3-14.6M [24 - 48FT]: | +317.5mm-0 [+12.50in-0] |
| 14.6 - 30.5M [48-100FT]: | +622.3mm-0 [+24.50in-0] |
| OVER 30M [100FT] | +2% OF FINISHED LENGTH |

| ITEM | DESCRIPTION | MATERIAL | FINISH |
|------|---------------|--------------|--------------------|
| 6 | WRAP LABEL | VINYL | BLACK/WHITE |
| 5 | OVERMOLD | PUR | BLACK |
| 4 | COUPLING NUT | BRASS | NICKEL PLATED |
| 3 | CONTACT PIN | COPPER ALLOY | GOLD/NICKEL PLATED |
| 2 | MALE INSERT | PUR | BLACK |
| 1 | #24 AWG CABLE | TPE JACKET | BLUE |

| | | | | | | | |
|-----------------------------------------------------------------------------------------------------------|-----------------------------------------------------------------------------------------------------------------------------------------------|--------------------------------------------------------------------------------------------------------|--------------------------------------------------------------------------------------------------------------|----------------|-------------------------------------------------------------------------------------------------------|----------------|----------------------|
| FUNCTIONAL SYMBOLS F=0 E=0 P=0 | THIS DRAWING CONTAINS INFORMATION THAT IS PROPRIETARY TO MOLEX ELECTRONIC TECHNOLOGIES, LLC AND SHOULD NOT BE USED WITHOUT WRITTEN PERMISSION | | | | | | |
| | DIMENSION UNITS INCH/MM | SCALE NTS | | | CURRENT REV DESC: ADDED TEMP RATING, UL NUMBER, CABLE DIA & TOL CHART. MODIFIED MATERIAL NUMBER CHART | | |
| | GENERAL TOLERANCES (UNLESS SPECIFIED) | | MICRO-CHANGE CORDSET, M12, 4 POLE, MALE - MALE, STRAIGHT, #24 AWG BLUE TPE CAT5E | | | | |
| | DIVISIONAL SYMBOLS | | PRODUCT CUSTOMER DRAWING DOCUMENT NUMBER: SD-120108-052 DOC TYPE: PSD DOC PART: 001 REVISION: C1 | | | | |
| 4 PLACES ±--- ±--- 3 PLACES ±--- ±--- 2 PLACES ±--- ±--- 1 PLACE ±--- ±--- 0 PLACES ±--- ±--- | | EC NO: 703079 DRWN: ABENJAMINLW 2021/10/27 CHK'D: RSTONE 2022/04/12 APPR: BWOODMAN 2022/04/18 | | | | | |
| ANGULAR TOL ± --- ° | | INITIAL REVISION: DRWN: BARDEN 2013/02/15 APPR: JFMURPHY 2013/04/18 | | | | | |
| DRAFT WHERE APPLICABLE MUST REMAIN WITHIN DIMENSIONS | | THIRD ANGLE PROJECTION | DRAWING: B-SIZE | SERIES: 120108 | MATERIAL NUMBER: SEE CHART | CUSTOMER: FORD | SHEET NUMBER: 1 OF 1 |