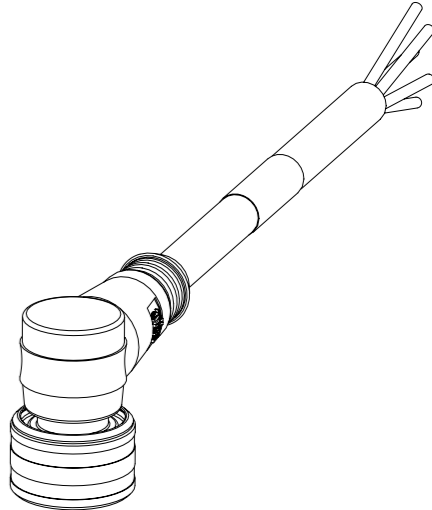
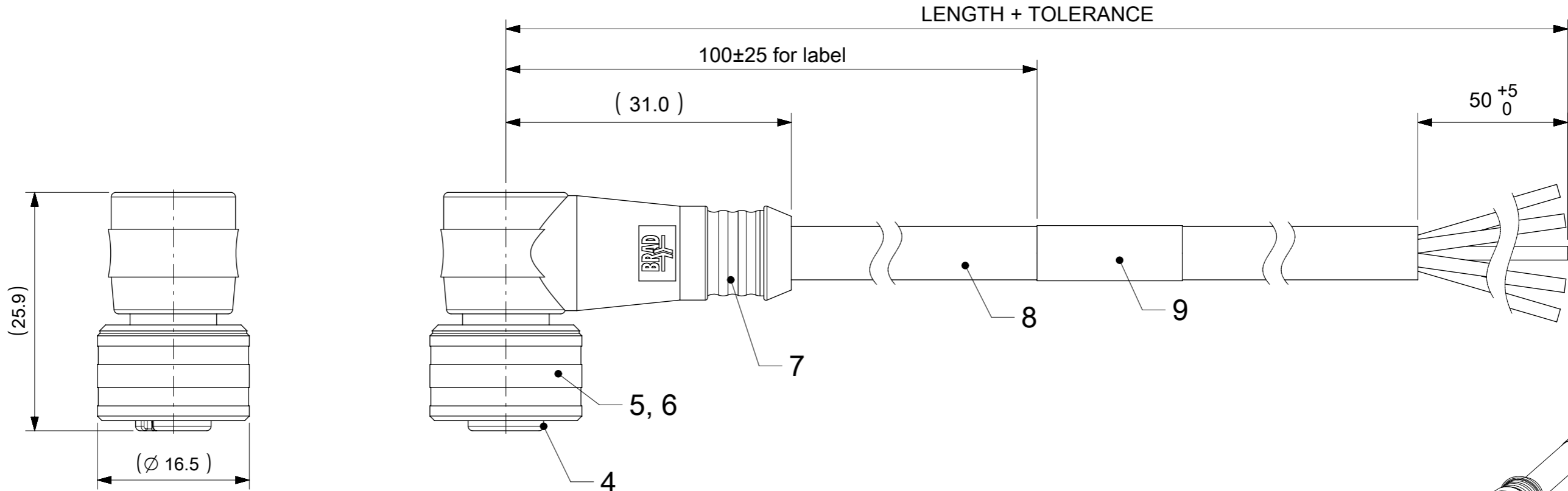


# FEMALE PLUG ULTRA LOCK U12 90° ANGLED



SCALE 1:1

- NOTES:**
- CURRENT RATING: 3-5 CONTACTS 4A
  - VOLTAGE RATING: 3-4 CONTACTS 250V  
5 CONTACTS 60V
  - PROTECTION CLASS: IP 67/68/69K
  - TEMPERATURE: -25°C / +85°C

## CONTACTS POSITION FRONT VIEW:

3 CONTACTS		4 CONTACTS		5 CONTACTS	
PIN	WIRE	PIN	WIRE	PIN	WIRE
1	BROWN	1	BROWN	1	BROWN
2	---	2	WHITE	2	WHITE
3	BLUE	3	BLUE	3	BLUE
4	BLACK	4	BLACK	4	BLACK
5	---	5	---	5	GREY
CODING ACCORDING TO IEC 61076-2-101					

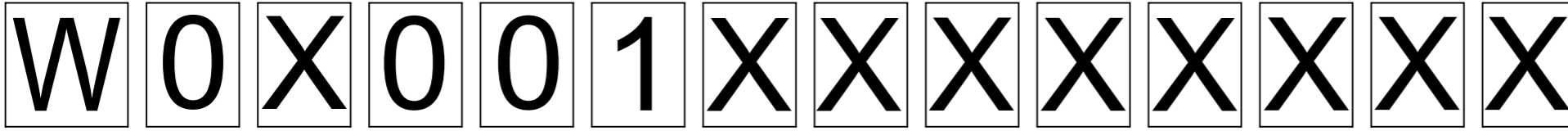
FOR OPTIONS SEE - NUMERICAL CODE - ON SHEET 2

ITEM	QTY.	DESCRIPTION	MATERIAL	FINISH
9	1	LABEL YELLOW	VINYL	---
8	-	CABLE	SEE SHEET 2	---
7	-	OVERMOULD BLACK	TPU	---
6	1	SLEEVE U12 INNER	BRASS	NICKEL
5	1	SLEEVE U12 OUTER	BRASS	NICKEL
4	1	INSERT FEMALE BLACK	PUR	---
3	1	SPRING U12	V4A	---
2	1	ORING GREEN	FPM	---
1	3 / 4 / 5	CONTACT M12 FEMALE	BRONZE	SELECTIVE GOLD OVER NICKEL

DIMENSION UNITS <b>mm</b>		SCALE <b>2:1</b>	CURRENT REV DESC: OBSOLETED PART NUMBERS AS PER PCN#506884			
GENERAL TOLERANCES (UNLESS SPECIFIED)		<b>molex</b>  CSE U12 XP AC FE RA XM SE UNSH  PRODUCT CUSTOMER DRAWING				
ANGULAR TOL	± 1.0 °					
4 PLACES	±					
3 PLACES	±					
2 PLACES	± 0.05					
1 PLACE	± 0.3	EC NO: 662770 DRWN: SUGEEB CHK'D: GGA APPR: GGA INITIAL REVISION: DRWN: JMARSZALEK APPR: RSILLER			DOCUMENT NUMBER <b>1200790281</b>	
0 PLACES	± 0.5	DATE: 2016/06/22 2016/06/29			DOC TYPE PSD	DOC PART 000
DRAFT WHERE APPLICABLE MUST REMAIN WITHIN DIMENSIONS		THIRD ANGLE PROJECTION	DRAWING A3-SIZE	SERIES 120079	MATERIAL NUMBER SEE SHEET2	CUSTOMER GENERAL MARKET
					REVISION A5	SHEET NUMBER 1 OF 2

ENGINEERING NO. - NUMERICAL CODE (Available parts see PART LIST table. Other parts available upon request).

OPTIONS



W0=U12  
Ultra Lock  
Single ended

Poles:  
3=3 Poles  
4=4 Poles  
5=5 Poles

Heads style:  
001=Plug Female Angled

Cable type: See Table

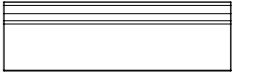
Units:  
M=Meter

Length  
Examples:  
005=0.5 units  
010=1 units  
100=10 units

Overmold color:  
Blank (Standard)=Black  
A=Grey / G=Black / Y=Yellow

Ultra Lock Assembly:  
Blank (Standard)=Brass, Ni Plated  
8=Stainless steel, EPDM oring

H= 2 pcs. of I/D Carrier PVC Transparent  
(Cables lxx & P82 always with  
2 pcs. of I/D Carrier)



CABLE INFORMATION (for more information see Cable Data Sheet).

CABLE TYPE	NO. OF WIRES	CROSS SECTION	CABLE JACKET	UL	CSA	STATIC: TEMP. / BENDING RADIUS	DYNAMIC: TEMP. / BENDING RADIUS	DRAG CHAIN	SHIELD
E03	3 / 4 / 5	0.34mm <sup>2</sup>	PVC BLACK	UL 2464/1729	C22.2 I/II A/B 80°/300V	-30°C to +80°C, 10xO.D.	-10°C to +80°C, 15xO.D.	-	-
H09	3 / 4 / 5	0.34mm <sup>2</sup>	PUR BLACK LS0H	UL 21198/10493	C22.2 I/II A/B 80°/300V	-40°C to +80°C, 5xO.D.	-25°C to +80°C, 10xO.D.	2 000 000 cycles, Temp max 60°C	-
P03	3 / 4 / 5	0.34mm <sup>2</sup>	PUR / PVC BLACK	-	-	-30°C to +80°C, 7xO.D.	-5°C to +80°C, 15xO.D.	-	-


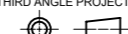
PART LIST

No.	Molex P/N	Engineering no.	Cable Length	No.	Molex P/N	Engineering no.	Cable Length
1	1200200003	W04001E03M005	0.5m	21	1200798051	W04001H09M020	2m
2	1200790269	W04001E03M020	2m	22	1200798100	W05001H09M350	35m
3	1200790272	W04001E03M100	10m	23	1200798122	W05001H09M030	3m
4	1200790281	W05001E03M020	2m	24	1200798143	W03001E03M020	2m
5	1200790282	W05001E03M040	4m	25	1200798144	W03001E03M050	5m
6	1200795042	W04001E03M050	5m	26	1200798145	W03001E03M100	10m
7	1200795044	W05001E03M050	5m	27	1200798159	W05001H09M050	5m
8	1200795071	W04001P03M040	4m	28			
9	1200795072	W04001P03M100	10m	29			
10	1200795073	W04001P03M060	6m	30			
11	1200795088	W05001P03M020	2m	31			
12	1200795089	W05001P03M040	4m	32			
13	1200795090	W05001P03M050	5m	33			
14	1200795091	W05001P03M060	6m	34			
15	1200795092	W05001P03M100	10m	35			
16	1200798007	W04001P03M050	5m	36			
17	1200798013	W04001P03M020	2m	37			
18	1200798040	W04001E03M010	1m	38			
19	1200798047	W03001H09M020	2m	39			
20	1200798048	W05001H09M020	2m	40			

CABLE LENGTH TOLERANCES

OVER	UP TO AND INCLUDING	TOLERANCES
0	305mm	+19mm
305mm	915mm	+45mm
915mm	1830mm	+56mm
1830mm	3660mm	+89mm
3660mm	7320mm	+165mm
7320mm	14640mm	+317mm
14640mm	30500mm	+610mm
30500mm	>	+2% of finished length

THIS DRAWING CONTAINS INFORMATION THAT IS PROPRIETARY TO MOLEX ELECTRONIC TECHNOLOGIES, LLC AND SHOULD NOT BE USED WITHOUT WRITTEN PERMISSION

DIMENSION UNITS	SCALE	CURRENT REV DESC: OBSOLETE PART NUMBERS AS PER PCN#506884	 <p>CSE U12 XP AC FE RA XM SE UNSH</p>				
mm	1:1	EC NO: 662770				2021/02/26	
GENERAL TOLERANCES (UNLESS SPECIFIED)		DRWN: SUGEEB				2021/06/02	
ANGULAR TOL ± 1.0°			CHK'D: GGA	2021/06/02	PRODUCT CUSTOMER DRAWING		
4 PLACES ±			APPR: GGA	2021/06/02			
3 PLACES ±			INITIAL REVISION:		DOCUMENT NUMBER		
2 PLACES ± 0.05			DRWN: JMARSZALEK	2016/06/22	1200790281		
1 PLACE ± 0.3			APPR: RSILLER	2016/06/29	PSD 000 A5		
0 PLACES ± 0.5			THIRD ANGLE PROJECTION		DRAWING		
DRAFT WHERE APPLICABLE MUST REMAIN WITHIN DIMENSIONS					SERIES		
			A3-SIZE		120079		
			MATERIAL NUMBER		CUSTOMER		
			SEE SHEET2		GENERAL MARKET		
					SHEET NUMBER		
					2 OF 2		