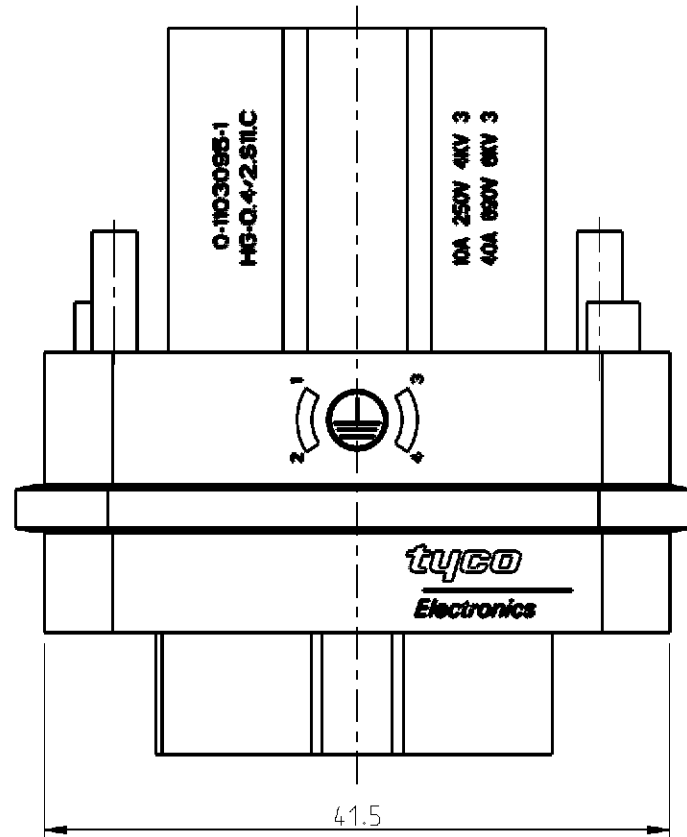


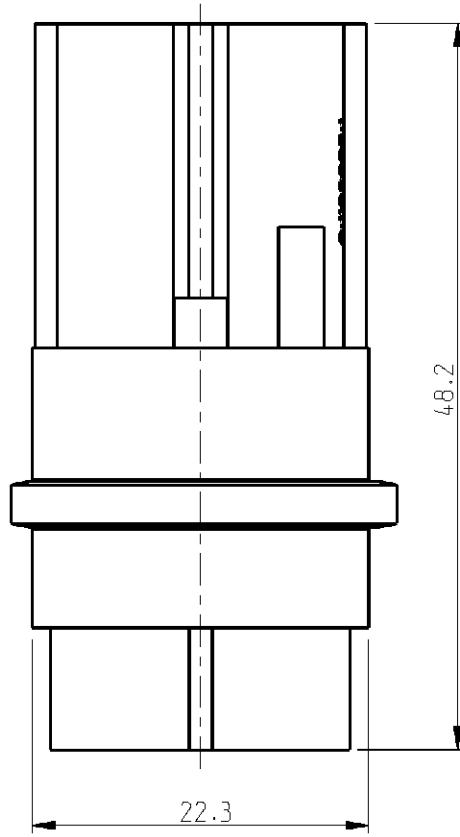
THIS DRAWING IS UNPUBLISHED. RELEASED FOR PUBLICATION

© COPYRIGHT BY TYCO ELECTRONICS CORPORATION. ALL RIGHTS RESERVED.

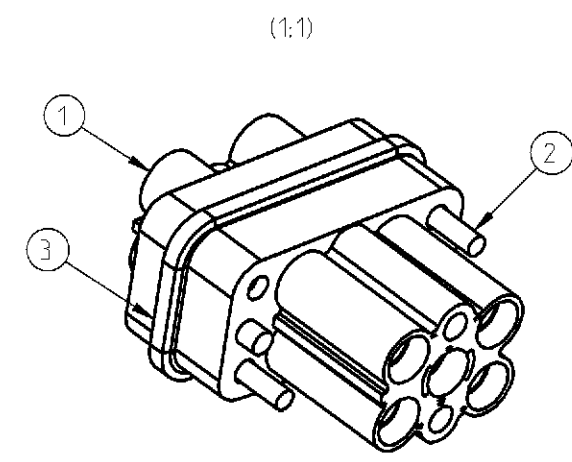
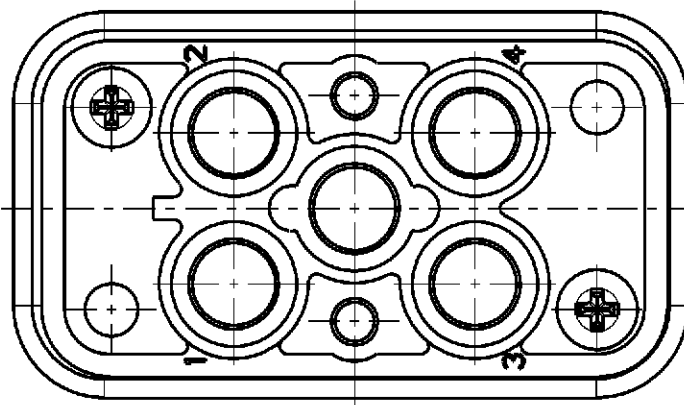
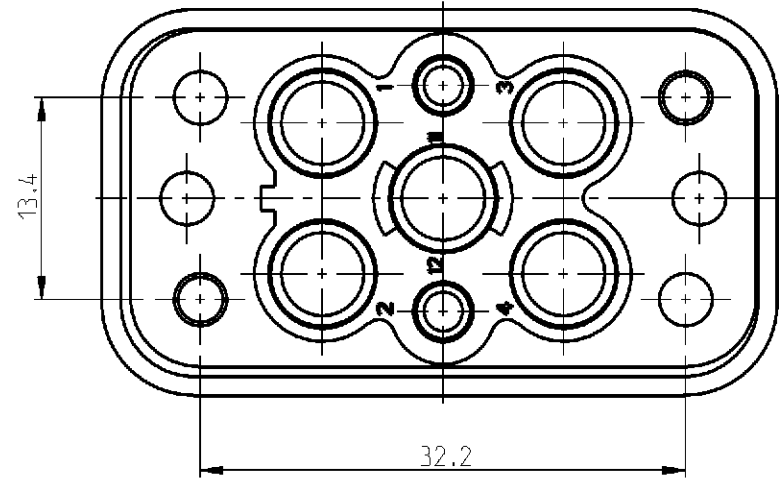
| LOC | DIST | REVISIONS | | | | |
|-----|------|-------------|-------------------------------|-----------|------|----|
| P | LTR | DESCRIPTION | DATE | DWN | APVD | |
| A1 | - | C1 | RELEASED AS PER ECR-07-005630 | 12-Mar-07 | PKP | ST |



CONTACT ARRANGEMENT VIEW FROM TERMINATION SIDE



CONTACT ARRANGEMENT VIEW FROM CONNECTING SIDE



- NOTES
- 1 POWER CONTACT: 1 TO 4
SUITABLE CRIMP CONTACTS: SERIES HSK
CUSTOMER DRAWING NO :1108757
OUTER DIMENSIONS OF INSULATOR:MAX Ø8 MM
 - 2 SIGNAL CONTACT: 11 AND 12
SUITABLE CRIMP CONTACTS: SERIES HN.D
CUSTOMER DRAWING NO :1105050
OUTER DIMENSIONS OF INSULATOR:MAX Ø3.8 MM
 - 3 GROUNDING CONTACT
SUITABLE CRIMP CONTACTS: SERIES HSK
CUSTOMER DRAWING NO :1108757
OUTER DIMENSIONS OF INSULATOR:MAX Ø8 MM
 - 4 SUITABLE HOOD:SERIES HG-Q
 - 5 NORM ACCOR: DIN EN 61984;DIN EN 60664-1
 - 6 PACKAGING:
10 PIECES IN A BOX

| QTY. | DESCRIPTION | MATERIAL | SURFACE | COLOR | NOTE | ITEM |
|------|-----------------|----------|-------------|------------|--------------|------|
| 1 | PROFILE SEALING | NBR 72 | NATURAL | BLACK | CONDUCTIVE | 3 |
| 2 | SCREW 3X10 | STEEL | ZINC PLATED | BLUE | FOR PLASTICS | 2 |
| 1 | MALE INSERT | PBT-GF25 | - | LIGHT-GREY | - | 1 |

PARTS LIST

| | | | | | |
|--|--|---|--|--|--|
| THIS DRAWING IS A CONTROLLED DOCUMENT FOR TYCO ELECTRONICS CORPORATION IT IS SUBJECT TO CHANGE AND THE CONTROLLING ENGINEERING ORGANISATION SHOULD BE CONTACTED FOR THE LATEST REVISION. | | DWN 21.02.2005 M.Schweiger | | Tyco Electronics AMP GmbH D-53819 Neunkirchen, Germany | |
| DIMENSIONS: mm | | TOLERANCES UNLESS OTHERWISE SPECIFIED: h15D 80% h15D 2750-99H-E h15DIN 16901-120 | | NAME MALE INSERT HG-Q.4/2.ST1.C | |
| MATERIAL 7 | | FINISH 8 | | PRODUCT SPEC 108-74053 APPLICATION SPEC 114-74055 WEIGHT 0.020KG | |
| | | CUSTOMER DRAWING | | SCALE 2:1 SHEET 1 OF 1 REV C1 | |