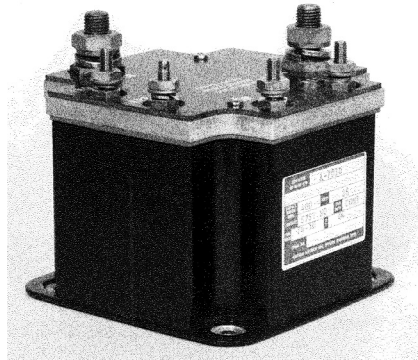


A-701 Series Cutout — Reverse Current, Rated up to 400 Amps, 28 Vdc

Product Facts

- SPST NO, Double break
- Gasket sealed
- Meets many requirements of MIL-C-5026 and MIL-PRF-6106



Performance Data

Electrical Characteristics

Contact Arrangement — SPST NO, Double Break
Rated Operating Voltage — 28 Vdc
Resistive Rating — 400 Amps
Resistive for 30 sec. — 1,000 Amps
Inrush Rating — 1,500 Amps
Reverse Current Dropout —
 A-701D — 25 to 50 Amps
 A-701C — 18 to 35 Amps

General Characteristics

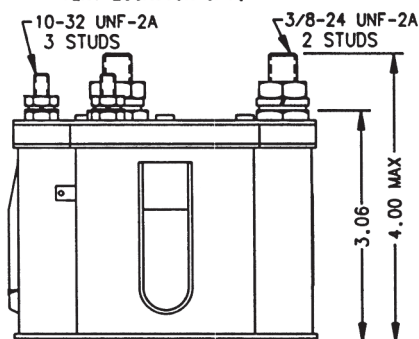
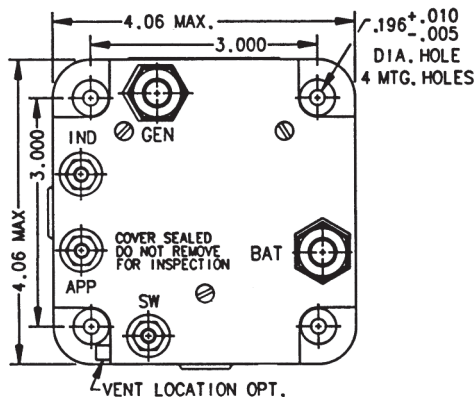
Temperature Range —
 -55°C to +71°C
Operating Cycles (Life) at Rated Resistive Load, Min. — 50,000 cycles
Operating Cycles (Life) Mechanical, Min. — 100,000 cycles
Electrical — 50,000 min.
Dielectric Strength —
 All Circuits to Ground — 1,250 Vrms
 Circuit to Circuit — 1,250 Vrms
 Coil to Ground and Aux. Contacts — 500 Vrms
Differential Pickup — $0.5 \pm .15$ Vdc

Weight, Max. —

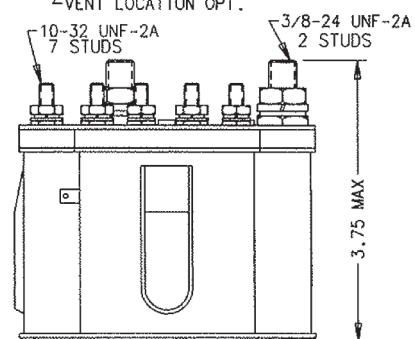
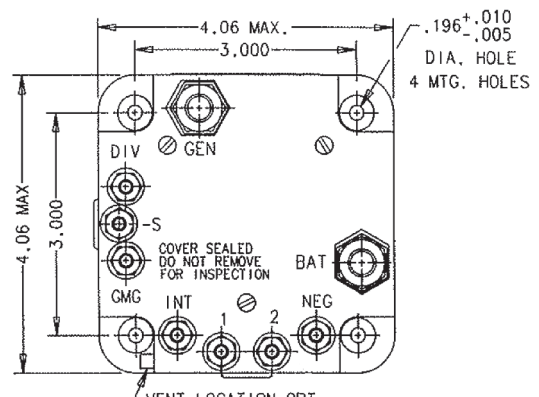
A-701D — 3 lbs 10 oz
 A-701C — 4 lbs

Coil Characteristics

Duty Cycle — Continuous, economizing
Duty Cycle when using “APP” on A-701D or “GMG” on A-701C — Intermittent
Nom. Coil Voltage — 24 to 30 Vdc
Pickup Voltage, Max. —
 A-701D — 15 Vdc
 A-701C — 12 Vdc
Dropout Voltage — 0.5 to 7.0 Vdc



Mounting Style A

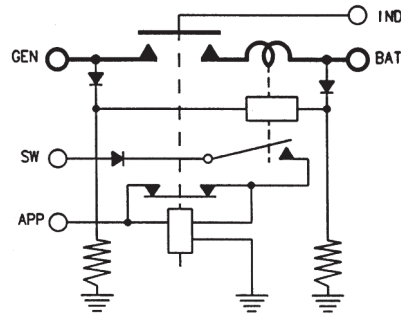


Mounting Style B

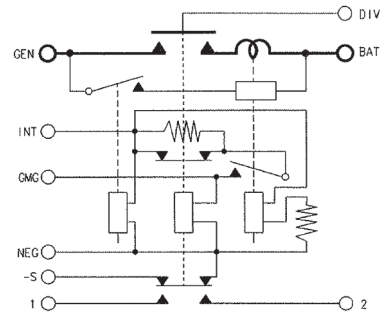
For factory-direct application assistance, phone 419-521-9500 or fax 419-526-2749.

A-701 Series Cutout — Reverse Current, Rated up to 400 Amps, 28 Vdc (Continued)

Circuit Configurations (Consult factory for other available circuit configurations)



Circuit Configuration 1



Circuit Configuration 2

HARTMAN Part Number	Construction Type	Mounting Style	Coil Type	Circuit Config.	TE Part Number
A-701D	Gasket/Vented	A	Continuous, Economizing	1	1-1616109-1
A-701C	Gasket/Vented	B	Continuous, Economizing	2	1-1616109-0

For factory-direct application assistance, phone 419-521-9500 or fax 419-526-2749.