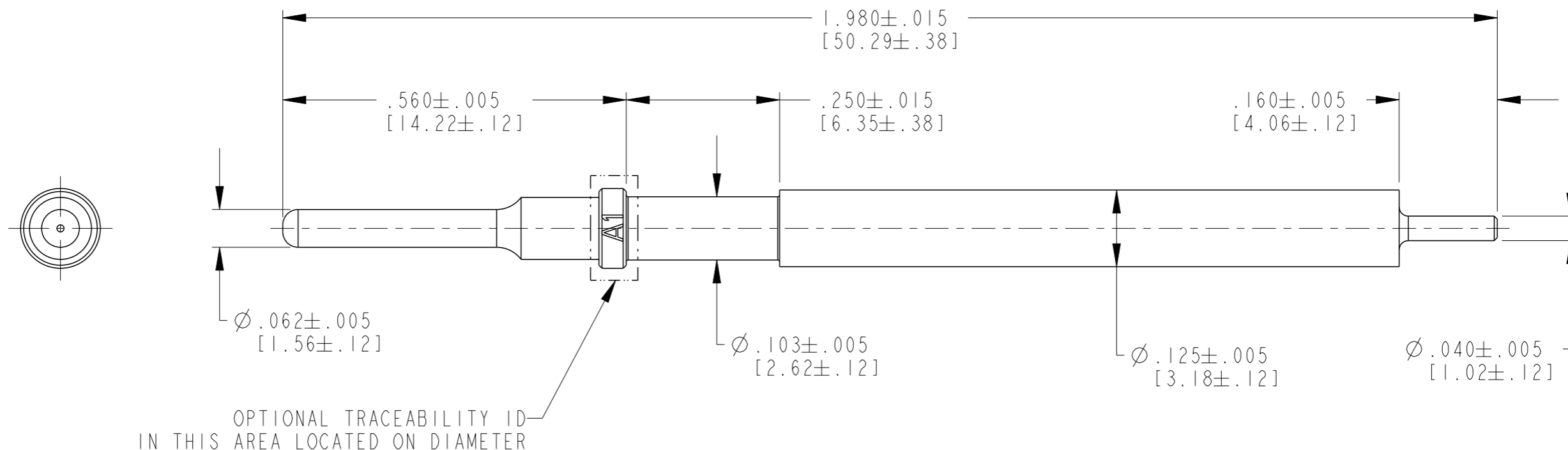


REVISIONS

P	LTR	DESCRIPTION	DATE	DWN	APVD
	NC	NEW RELEASE PER E.O. A4608	9APR1986	SW	JA
	A	REVISED PER PCN-20-014698	11NOV2020	CL	IG



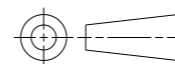
TE INTERNAL PN	DEUTSCH PN	PLATING
0460-241-16141	0460-241-16141	NICKEL

1. FOR CONTACT APPLICATION, SEE INSTRUCTION SHEET 408-151078.

NOTES:

THIS DRAWING IS A CONTROLLED DOCUMENT.

DIMENSIONS:
INCHES [mm]



MATERIAL
COPPER ALLOY

TOLERANCES UNLESS OTHERWISE SPECIFIED:

0 PLC	±
1 PLC	±
2 PLC	±
3 PLC	±
4 PLC	±
ANGLES	±

FINISH
SEE TABLE

DWN S. WATT 9APR1986

CHK -

APVD J. ALBERS 9APR1986

PRODUCT SPEC -

APPLICATION SPEC 1

WEIGHT 2.4g

CUSTOMER DRAWING

NAME CONTACT PIN SIZE 16 EXTENSION

SIZE A3 CAGE CODE 4AFU8 DRAWING NO. C-0460-241-16XX RESTRICTED TO -

SCALE 5:1 SHEET 1 OF 1 REV A

