

6

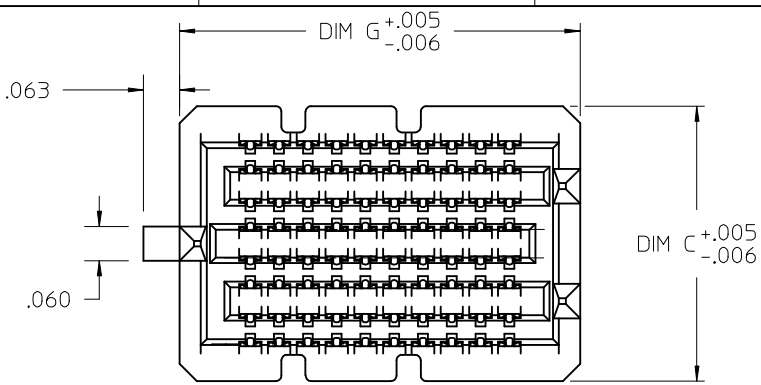
5

4

3

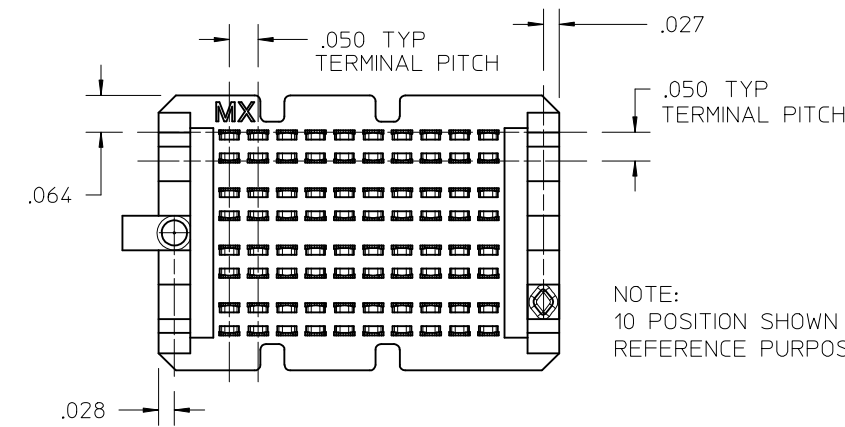
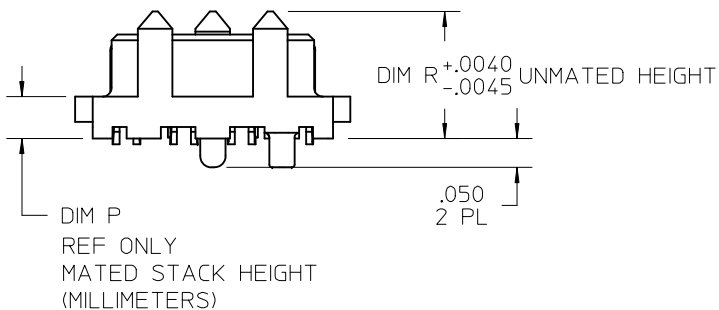
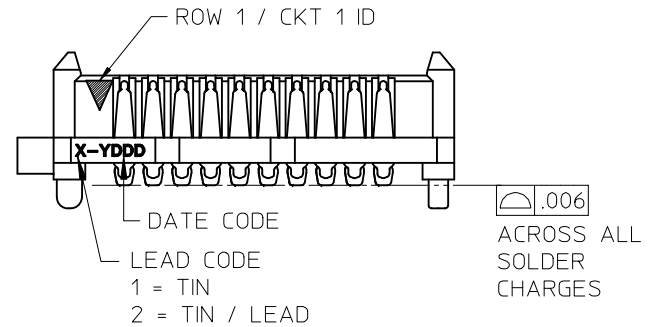
2

1

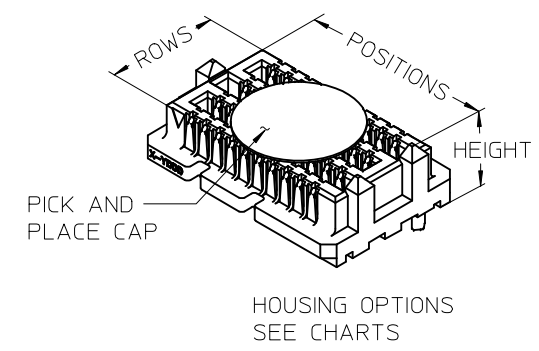


NOTES:

- MATERIAL: HOUSING: LCP, UL94V-0, BLACK
CONTACTS: COPPER ALLOY
SOLDER CHARGE: TIN, 95.5/ Ag 3.8/ Cu 0.7
- FINISH: SELECT GOLD IN CONTACT AREA: 30 MICROINCHES MINIMUM
SELECT GOLD FLASH IN TAIL, 7 MICROINCHES MINIMUM OVER NICKEL
- PRODUCT SPECIFICATION: PS-45970-001
- PACKAGING SPECIFICATION: TAPE AND REEL PACK. REFERENCE RPK-45971-009
- MATES WITH SEARAY RECEPTACLE ASSY 45971
- APPLICATION SPECIFICATION: AS-45970-001
- COSMETIC SPECIFICATION: PS-45499-002 CLASS B
- PART STATUS: CONTACT MOLEX



NO OF ROWS	8
POSITIONS	40
DIM C	.478
DIM E	.175
DIM G	2.196
DIM P	2.0 MM
DIM R	.221



REV. NOTE 4 TO REF. RPK-45970-009	QUALITY SYMBOLS
EC NO: UCP2015-3314	$\nabla E = 0$
DRWN: SVANG01 2015/08/12	$\nabla E = 0$
CHKD: BBARKER 2015/08/12	$\nabla E = 0$
APPR: SMILLER 2015/08/14	
DESCRIPTION	
REV B	

GENERAL TOLERANCES (UNLESS SPECIFIED)		
	mm	
	INCH	
4 PLACES	± .004	± .0001
3 PLACES	± .005	± .0001
2 PLACES	± .006	± .0001
1 PLACE	± .007	± .0001
0 PLACE	± .008	± .0001
ANGULAR ± .0001°		
DRAFT WHERE APPLICABLE MUST REMAIN WITHIN DIMENSIONS		

DIMENSION STYLE INCH ONLY	
DRAWN BY	DATE
RWHIPPLE	2014/04/18
CHECKED BY	DATE
BBARKER	2014/04/18
APPROVED BY	DATE
SMILLER	2014/05/22
MATERIAL NO.	45970-4130
SIZE	A

SCALE 3:1	DESIGN UNITS INCH	THIRD ANGLE PROJECTION
TITLE SEARAY PLUG ASSEMBLY .050 CENTERS		
molex		
DOCUMENT NO. RSD-45970-4130	SHEET NO. 1 OF 2	
THIS DRAWING CONTAINS INFORMATION THAT IS PROPRIETARY TO MOLEX INCORPORATED AND SHOULD NOT BE USED WITHOUT WRITTEN PERMISSION		

5

4

3

2

1

6

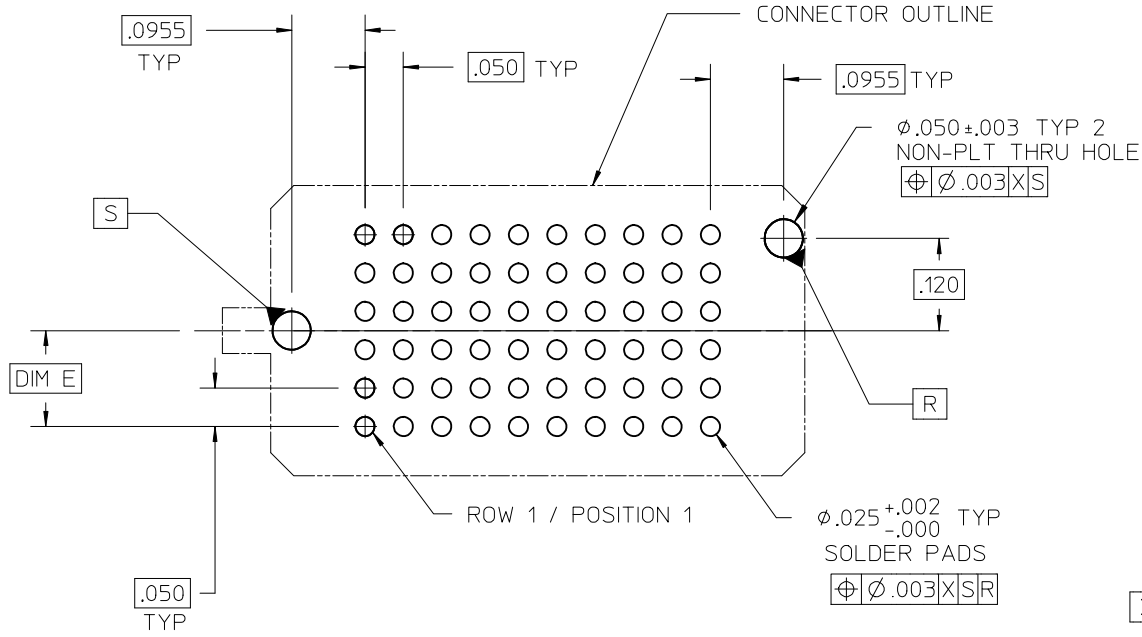
5

4

3

2

1

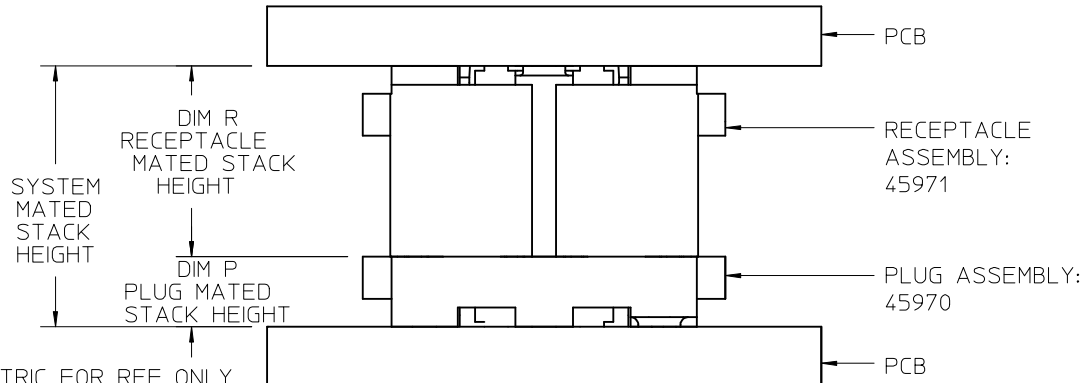


∇F
 .005 MIN
 SOLDER PASTE
 THICKNESS

RECOMMENDED PCB LAYOUT: COMPONENT SIDE
 SOLDER SCREEN APERTURE SIZE: .035 ∇F
 PCB THICKNESS: NA

		DIM R RECEPTACLE STACK HEIGHT					
		MM	5.0	6.0	6.5	7.5	8.0
DIM P PLUG STACK HEIGHT	2.0	7.0	8.0	8.5	9.5	10.0	

MATED STACK HEIGHTS
 (MILLIMETERS) REF



STACK HEIGHTS GIVEN IN METRIC FOR REF ONLY

SEE SHEET 1 EC NO: UCP2015-3314 DRWN: SVANG01 2015/08/12 CH'KD: BBARKER 2015/08/12 APPR: SMILLER 2015/08/14	DESCRIPTION B	QUALITY SYMBOLS $\nabla F = 0$ $\nabla E = 0$ $\nabla S = 0$	GENERAL TOLERANCES (UNLESS SPECIFIED)		DIMENSION STYLE INCH ONLY		SCALE 4:1	DESIGN UNITS INCH	THIRD ANGLE PROJECTION			
				mm	INCH	DRAWN BY RWHIPPLE	DATE 2014/04/18	TITLE SEARAY PLUG ASSEMBLY .050 CENTERS molex				
			4 PLACES	± ---	± ---	CHECKED BY BBARKER	DATE 2014/04/18					
			3 PLACES	± ---	± .010	APPROVED BY SMILLER		DATE 2014/05/22	DOCUMENT NO. RSD-45970-4130		SHEET NO. 2 OF 2	
			2 PLACES	± ---	± .015	ANGULAR ± ---°		MATERIAL NO. SEE SHEET 1				
1 PLACE	± ---	± ---	DRAFT WHERE APPLICABLE MUST REMAIN WITHIN DIMENSIONS		SIZE A THIS DRAWING CONTAINS INFORMATION THAT IS PROPRIETARY TO MOLEX INCORPORATED AND SHOULD NOT BE USED WITHOUT WRITTEN PERMISSION							
0 PLACE	±	±										

5

4

3

2

1