

NOTES:

1. MATERIALS AND FINISHES:  
 BODY, WASHER, RETAINING RING &  
 COUPLING NUT - BRASS, NICKEL PLATING  
 CONTACT - BeCu, GOLD PLATING  
 INSULATOR - PTFE, NATURAL  
 GASKET - SILICONE RUBBER, RED  
 FERRULE - COPPER, NICKEL PLATING

2. ELECTRICAL:  
 A. IMPEDANCE: 50 OHM  
 B. FREQUENCY RANGE: DC - 11 GHz  
 C. VSWR: 1.30 MAX.  
 D. DIELECTRIC WITHSTANDING VOLTAGE: 1500 VRMS, MIN.

3. MECHANICAL:  
 A. DURABILITY: 500 CYCLES MIN.  
 B. TEMPERATURE RANGE: -65°C TO +165°C

4. PACKAGING:  
 A. QUANTITY: SINGLE PACK  
 B. MARKING: BAG TO BE MARKED  
 "AMPHENOL RF, 31-5679 AND DATE CODE"

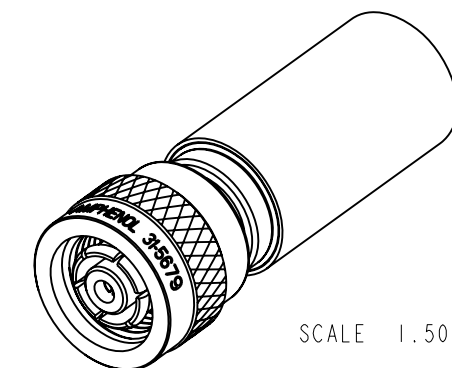
5. CABLE ASSEMBLY INSTRUCTIONS:  
 A. SEE AMPHENOL SPEC. 349-50586.

6 SHOWS CABLE ENTRY DIMENSIONS .

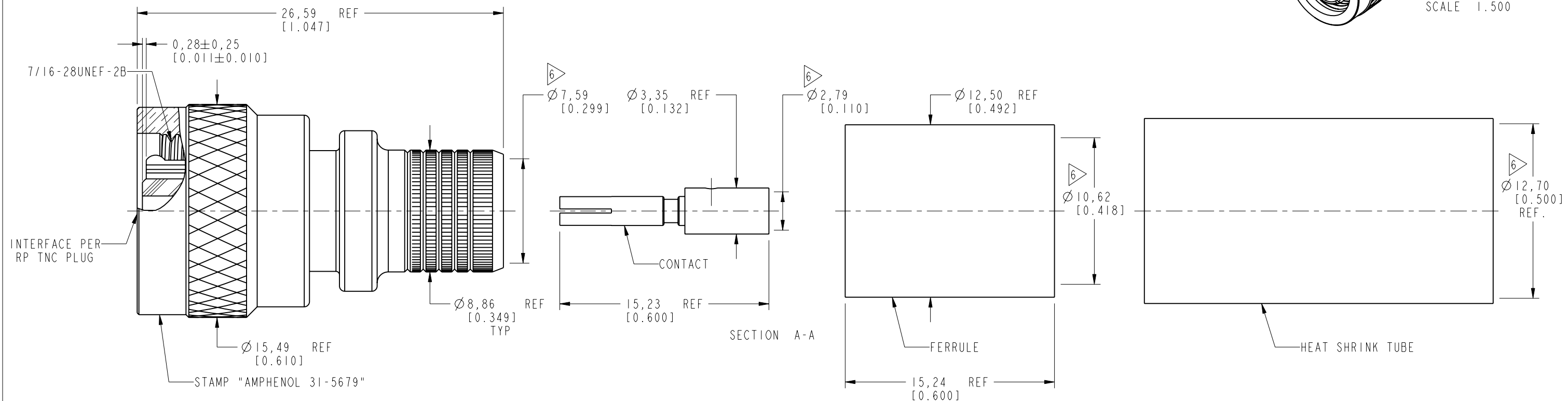
THIRD ANGLE PROJ.

REVISIONS

REV	DESCRIPTION	DATE	ECN	APPR
--	RELEASE TO MFG.	--	--	--
E	SEE SHEET 1	23-Jun-08	47077	--
F	REDRAW IN PROE, DUAL DIMS, UPDATE NOTE 4C	06-Apr-18	07603	KR



SCALE 1.500



**CUSTOMER OUTLINE DRAWING**

ALL OTHER SHEETS ARE FOR INTERNAL USE ONLY

UNLESS OTHERWISE SPECIFIED, DIMENSIONS ARE IN METRIC AND TOLERANCES ARE:  
 <0.5mm ±0.05mm    0.5 - 6mm ±0.1mm    6 - 30mm ±0.2mm    30 - 120mm ±0.3mm    ANGLES ±1°

NOTICE - These drawings, specifications, or other data (1) are, and remain the property of Amphenol corp. (2) must be returned upon request; and (3) are confidential and not to be disclosed to any person other than those to whom they are given by Amphenol Corp. the furnishing of these drawings, specifications, or other data by Amphenol Corp., or to any other person to anyone for any purpose is not to be regarded by implication or otherwise in any manner licensing, granting rights to permitting such holder or any other person to manufacture, use or sell any product, process or design, patented or otherwise, that may in any way be related to or disclosed by said drawings, specifications, or other data.

MATERIAL	SEE NOTES	DRAWN	S. DUAN	DATE	26-Apr-18
REFERENCE		ENGINEER	SCOTT.H	DATE	23-Sep-05
EAR#		APPROVED	S. HSIEH	DATE	27-Apr-18
REF:		CAD FILE			
CONFIGURATION LEVEL:	In Work				
FINISH					

TITLE		RP TNC STR PLUG FOR BELDEN 9913 CABLE	
SCALE:	3.5:1.0	SHEET	2 OF 2
DWG SIZE	B	REV	F

Amphenol RF	
www.amphenolrf.com	
DRAWING NO.	31-5679
ITEM NO.	31-5679
PART NO.	31-5679